



Video Section

DV Section

Film Section







**Please ask also for price lists for:
Electronical parts
Testing equipment**

**Filmtechnik A. Chrosziel GmbH
Klausnerring 6 - 85551 Heimstetten - Germany
Tel. +49 89 901 091 0 - Fax +49 89 447 086 1
info@chrosziel.de - www.chrosziel.de**



Table of contents

Video section	Page
Mattebox with interchangeable filterstages 	2 - 3
Compact Mattebox Standard for 2 filters	4 - 5
Mattebox 6.6x6.6	6 - 7
Mattebox for Fujinon A10x4.8 and Canon J11x4.5	8
Sunshade with interchangeable filterstages	10 - 11
Compact Sunshade Standard for 2 filters	12
Compact Sunshade Ø 110mm	13
Sunshade for Fujinon A10x4.8 and Canon J11x4.5	14
Sunshade 4x4	15
Insert rings and retaining rings for Mattebox	16
Step-down rings, intermediate rings for Sunshade	17
Filterholders	18
Accessories	19
Heavy duty supports & handgrip for HD cameras	21
Light weight supports	22 - 23
Camera plates, bridge plate adaptors adjustable	24 - 25
Studio Rig - follow focus system	26 - 27
Fluid zoom drive	28
AC Optical viewfinder system 	30 - 31
Abakus products and accessories	32
Lens diameters Video lenses	33
DV section	Page
Sunshades 4x4 and 3x3	36 - 37
Mattebox 4x4 for Panasonic DVX-100 	38
Light weight supports	39
Studio Rig - follow focus system 	40
Fluid zoom drive	41
Lens diameters DV cameras resp. Lenses	42
Film section	Page
Mattebox with interchangeable filterstages	44 - 45
Compact Mattebox Standard for 2 filters	46 - 47
Mattebox 6.6x6.6	48
Compact Sunshade Standard for 2 filters	49
Compact Sunshade Ø 110mm	50
Sunshade 4x4	51
Sunshade 3x3	52
Insert rings and retaining rings for Mattebox	53
Step-down rings, intermediate rings for Sunshade	54
Filterholders	55
Accessories	56
Studio Rig - follow focus system	57
Fluid zoom drive	58
Lens diameters Film lenses	59
Information	Page
Testing equipment: test bench and test projector	60 - 61
Agents	62



Matteboxes

(page 02 - 08)

**Matteboxes are designed for mounting onto rods.
For use with light weight supports resp. bridge plates.**

Please choose your mattebox by considering the following

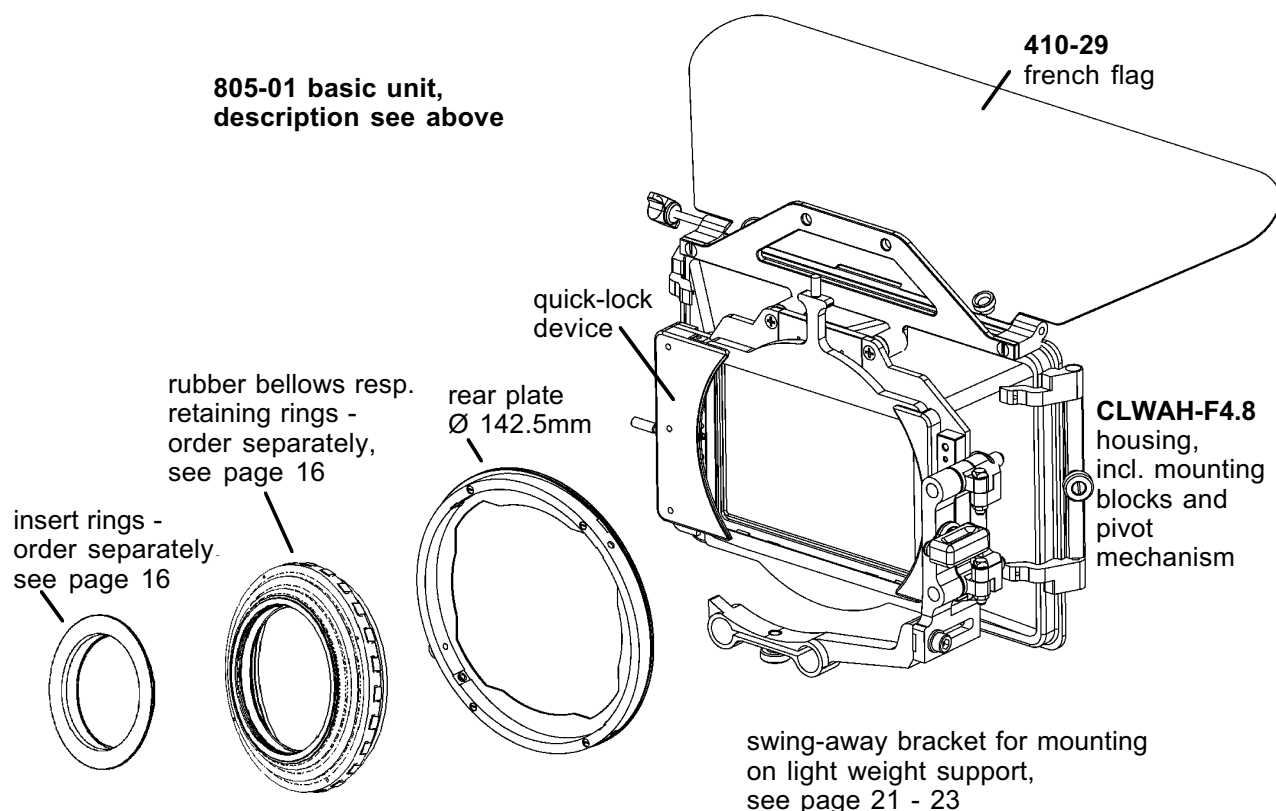
- * **Most important is focal length and external diameter of your lens (see page 33).**
- * **Shooting format 4:3 or 16:9.**
- * **Number of filterholders (depending on focal length).**
- * **Insert rings have to be ordered separately (see page 16) according to external lens diameter (see page 33).**



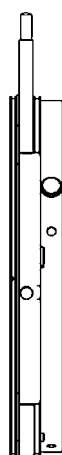
Mattebox with interchangeable filterstages

Basic unit (805-01), up to focal length 4.5mm zoom lens or 5mm Canon / Fujinon prime lens consisting of:

- * wide angle housing covers format 16:9/4:3 (CLWAH-F4.8), incl. french flag (410-29) incl. mounting blocks and pivot mechanism (for use of side wings, order separately)
- * swing-away bracket for mounting on 15mm light weight support rods
- * quick-lock device to add resp. exchange different filterstages
- * 1st filterstage for one filterholder for sliding up and down (non rotating) filterholder 4x4/4x5.650 (410-31) is included
- * rear plate Ø 142.5mm (415-01-02) for use with different retaining rings



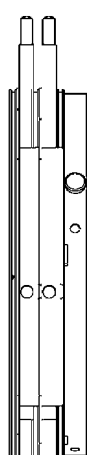
Different filterstages to add on swing-away mattebox (for non geared filterholders):



820-01 filterstage:

up to focal length of **4.5mm zoom lens and 5mm Zeiss prime lens**, rotating, with rear plate Ø 142.5mm, FH not incl., see page 18

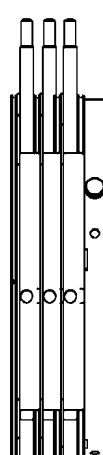
When using this filterstage, with wide angle lens, please add filterholder **5x5/4x5.650 (510-01)**. Use 5x5 filters, others may cause vignetting.



820-02 filterstage:

up to focal length of **5.2mm zoom lens**, rotating, with rear plate Ø 142.5mm, FH not incl., see page 18

Filterholders **4x4/4x5.650 (410-31)** are recommended, but you can also choose others.



820-03 filterstage:

up to focal length of **7.8mm zoom lens**, rotating, with rear plate Ø 142.5mm, FH not incl., see page 18

Filterholders **4x4/4x5.650 (410-31)** are recommended, but you can also choose others.



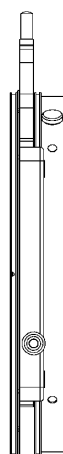
Mattebox with interchangeable filterstages

Different filterstages to add on swing-away mattebox (for geared filterholders):

Below filterstages can be used with geared filterholders. Last filtertray is for geared filterholders.

For sliding up and down geared filterholder, please order 610-20 flexible shaft separately.

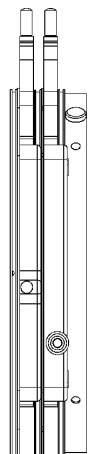
New geared filterholders, see page 18.



820-06 filterstage:

description see 820-01
difference:
filtertray for geared filterholders

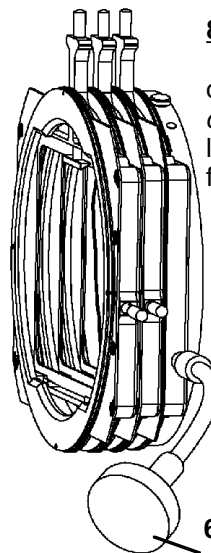
When using this filterstage with wide angle lens, please add geared FH 5x5/4x5.650 (510-01G).



820-07 filterstage:

description see 820-02
difference:
last filtertray for geared filterholders

Filterholders 4x4/4x5.650 (410-31) are recommended. For last filtertray please use geared filterholder.



820-08 filterstage:

description see 820-03
difference:
last filtertray for geared filterholders

Filterholders 4x4/4x5.650 (410-31) are recommended. For last filtertray please use geared filterholder.

610-20 Flexible shaft
- order separately

Part no.	Description	Price in EURO
805-01	Mattebox to interchange filterstages, basic unit	1.790,00
820-01	Filterstage for total 2 FH, up to f 4.5mm, incl. rear plate - FH not incl.	134,00
820-02	Filterstage for total 3 FH, up to f 5.2mm, incl. rear plate - FH not incl.	246,00
820-03	Filterstage for total 4 FH, up to f 7.8mm, incl. rear plate - FH not incl.	358,00
820-06	Filterstage for total 2 FH, filtertray for geared filterholder - FH not incl.	160,00
820-07	Filterstage for total 3 FH, last filtertray for geared filterholder - FH not incl.	272,00
820-08	Filterstage for total 4 FH, last filtertray for geared filterholder - FH not incl.	384,00
Accessories, spares		
801-01	Filterstage of Mattebox 805-01(basic unit, without housing)	1.452,00
410-MA43	Set of masks for 4:3 (5 units)	124,00
410-MA169	Set of masks for 16:9 (5 units)	124,00
410-MAP	Set of masks for Zeiss Digi Prime lenses F5 - 40mm (6 units)	148,00
410-10	Set of side wings	308,00
410-PM	Pivot mechanism for use of side wings, set of 2 units - as spare	64,00
415-01-02	Rear plate Ø 142,5mm - as spare	64,00
610-20	Flexible shaft for geared filterholders	164,00

Please note: Different housings can be used (e.g. CBH-S16), please order additional housing separately (see page 4). Attention, above focal length indications may not be valid when using another housing!

Rubber bellows, retaining rings, insert rings see page 16

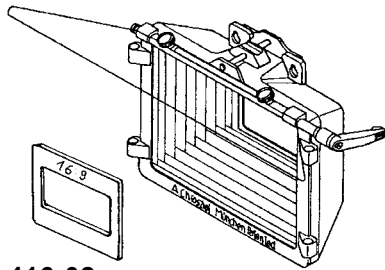
Filterholders see page 18

Light weight supports see page 21 - 23



Compact Mattebox Standard for 2 filters

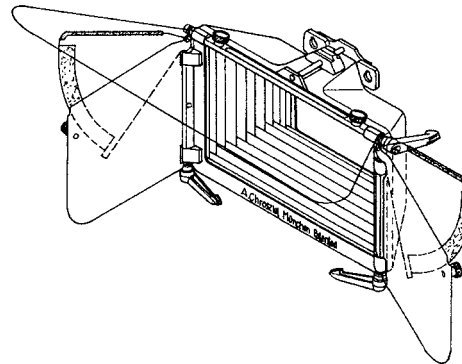
Please choose one of the following housings and add filterstage CF-MB/ST:



416-02,
order separately

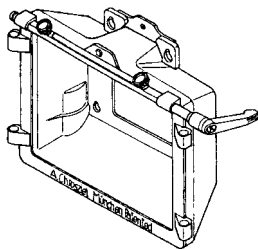
CBH-43

compact bellows housing 4:3
with quick-release mask also 16:9
(mask 416-02 not incl., order separately)
incl. french flag
optional use of side wings
focal length up to **7.8mm** zoom lens



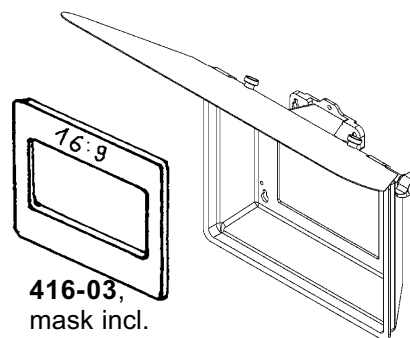
CBH-S16

compact bellows housing
S16/16:9 studio version
incl. french flag and side wings
focal length up to **5.2mm** zoom lens



CWAH-43

compact wide angle housing 4:3
incl. french flag
optional use of side wings
focal length up to **5.2mm** zoom lens



416-03,
mask incl.

CWAH-1FH

compact wide angle housing 16:9/4:3
incl. french flag and mask for 16:9 (416-03)
optional use of side wings
focal length up to **5.2mm** zoom lens
(when using 2 filterholders)
focal length up to **4.5 mm** zoom lens
(when using 1 filterholder, only in comb.
with insert ring 410-55 (Ø 100:95mm))



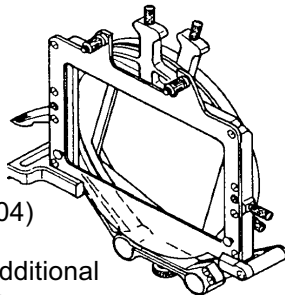
Compact Mattebox Standard for 2 filters

To complete mattebox add filterstage CF-MB/ST:

CF-MB/ST

filterholder compartment incl.:

- 1 fixed filterholder
comb. 4x4/4x5.650 (410-31)
- 1 rotating filterholder 4x4 (402-04)
- 1 rubber bellows retaining ring
Ø 100mm (410-13) - use of additional
round filter Ø 138mm possible,
but not for wide angle lenses
*horizontal position of mattebox adjustable
± 3mm on light weight support*



410-13
rubber bellows
retaining ring incl.



insert ring,
order separately,
see page 16

Mattebox has to be mounted on
light weight support,
see page 21 - 23

Part no.	Description	Price in EURO
Compact housings		
CBH-43	Compact bellows housing 4:3, incl. french flag	432,00
CBH-S16	Compact bellows housing S16/16:9, incl. french flag and side wings	1.052,00
CWAH-43	Compact wide angle housing 4:3, incl french flag	216,00
CWAH-1FH	Compact wide angle housing 4:3 and 16:9, incl. french flag and mask	226,00
Compact filterholder unit		
CF-MB/ST	Compact filterholder unit, incl. filterholders (1 fixed, 1 rotating)	698,00
Accessories and spares		
410-10PM	Set of side wings, incl. pivot mechanism	372,00
410-10	Set of side wings	308,00
410-10-01	Mounting blocks for side wings, set of 4 units	60,00
410-55	Insert ring Ø100 to 95mm for use with 1 filterholder up to f4.5	32,00
416-02	Quick-release insert mask for 16:9 for housing CBH-43	48,00
416-03	Quick-release insert mask for 16:9 for housing CWAH-1FH - as spare	20,00

Insert rings see page 16

Additional filterholders see page 18

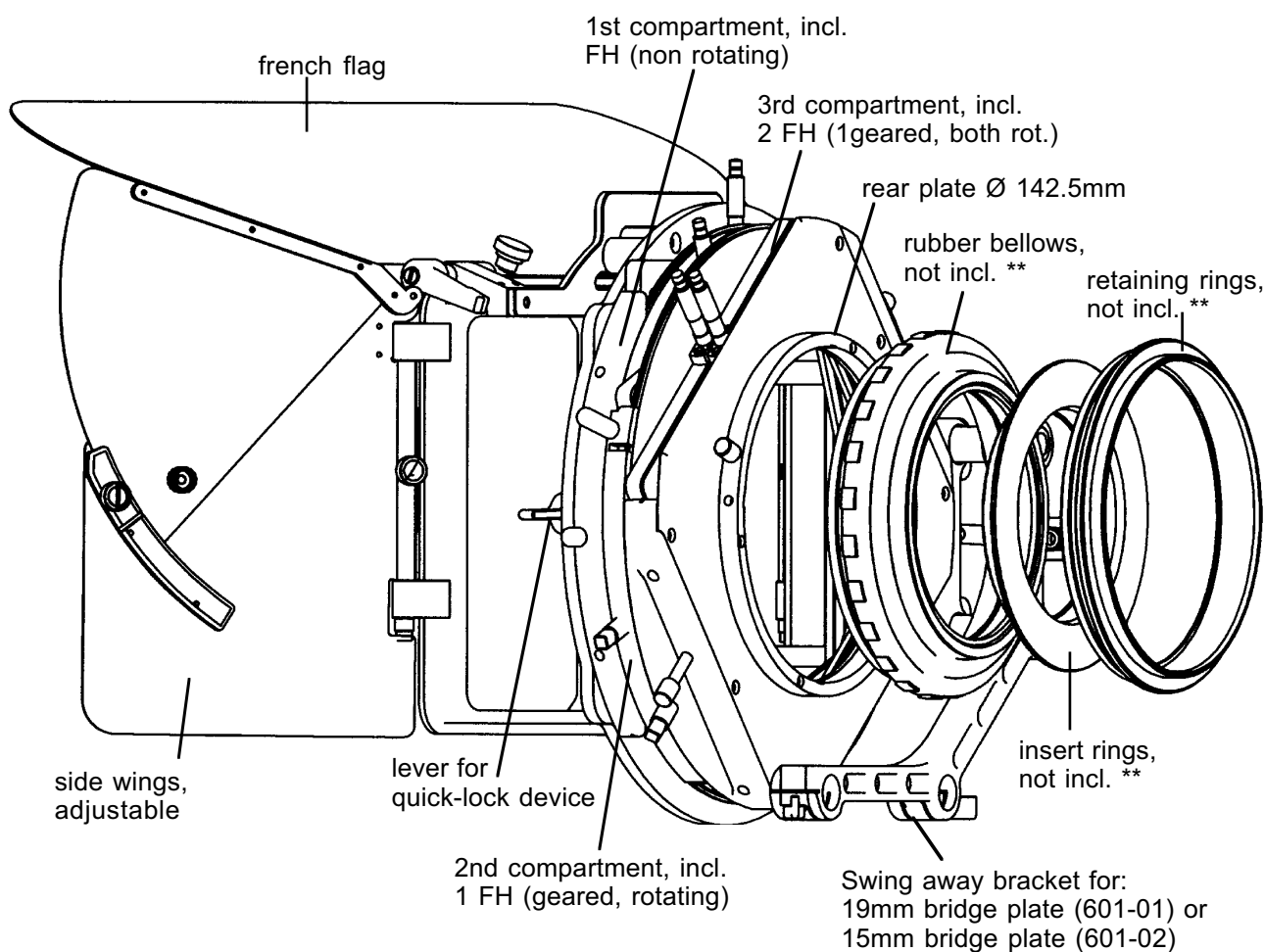
Light weight supports see page 21 - 23



Mattebox 6.6x6.6

Basic unit (601-01, 601-02), up to focal length 4.5 (5) mm zoom lens consisting of:

- * special housing for format 16:9, incl. french flag and side wings
- * swing-away bracket for mounting on 19mm (601-01) or 15mm (601-02) bridge plate rods
- * set of masks for Zeiss Digi Prime lenses F5 - 40mm (6 units) 610-MAP
- * quick-lock device for different configuration of filterstages
- * 1st filtercompartment for 1 filterholder (non rotating)
- * 2nd filtercompartment for 1 filterholder (geared, rotating)
- * 3rd filtercompartment for 2 filterholders (one geared, both rotating)
- * flexible shaft for geared filterholder
- * 4 filterholders 6.6x6.6
- * rear plate with insert Ø 142.5mm for use of different retaining rings



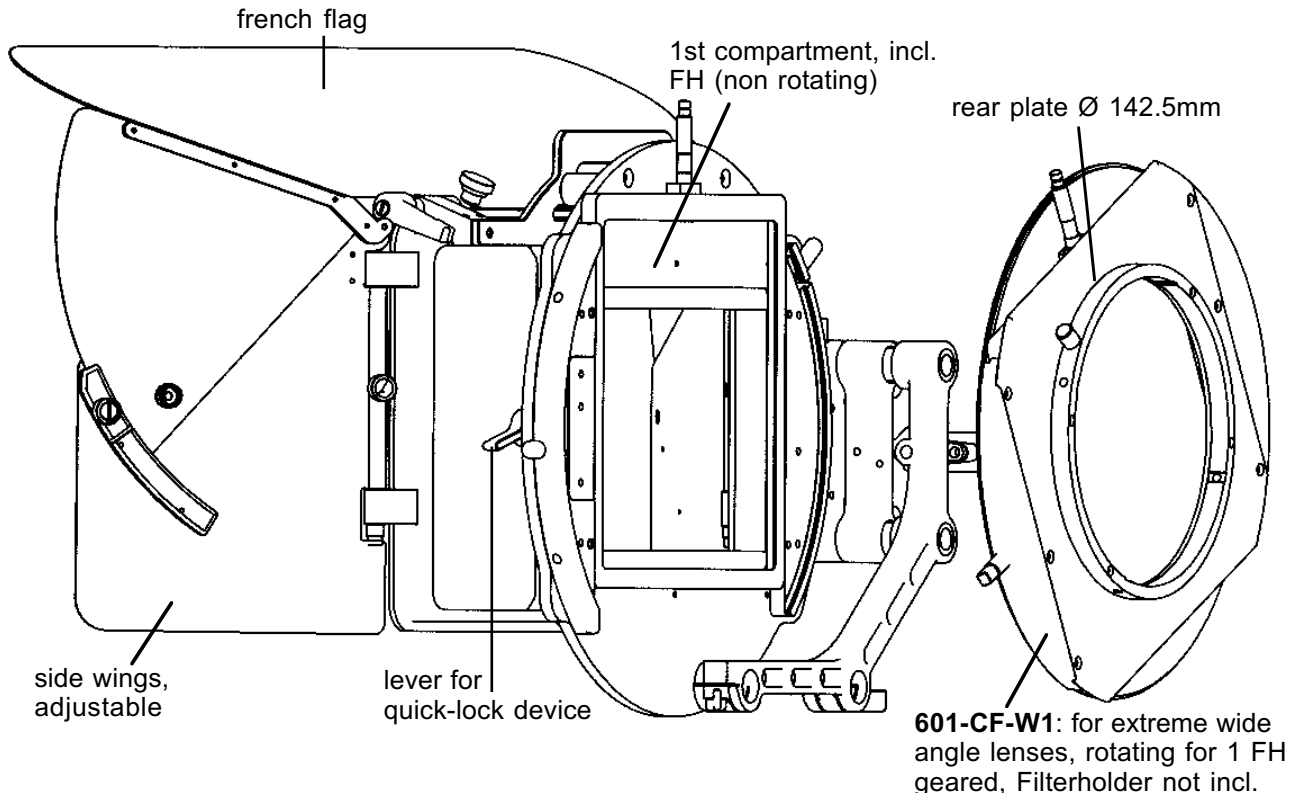
**** Please note:** Rings are not included in basic unit.

Order separately: Rubber bellows retaining ring, retaining ring and insert rings according to lens diameter (all rings see page 16)!



Mattebox 6.6x6.6

Mattebox 6.6x6.6 for 2 filterholders (filterstage for 1 geared filterholder - 601-CF-W1)
focal length up to 4.5mm zoom lens or 5mm Canon / Fujinon prime lenses



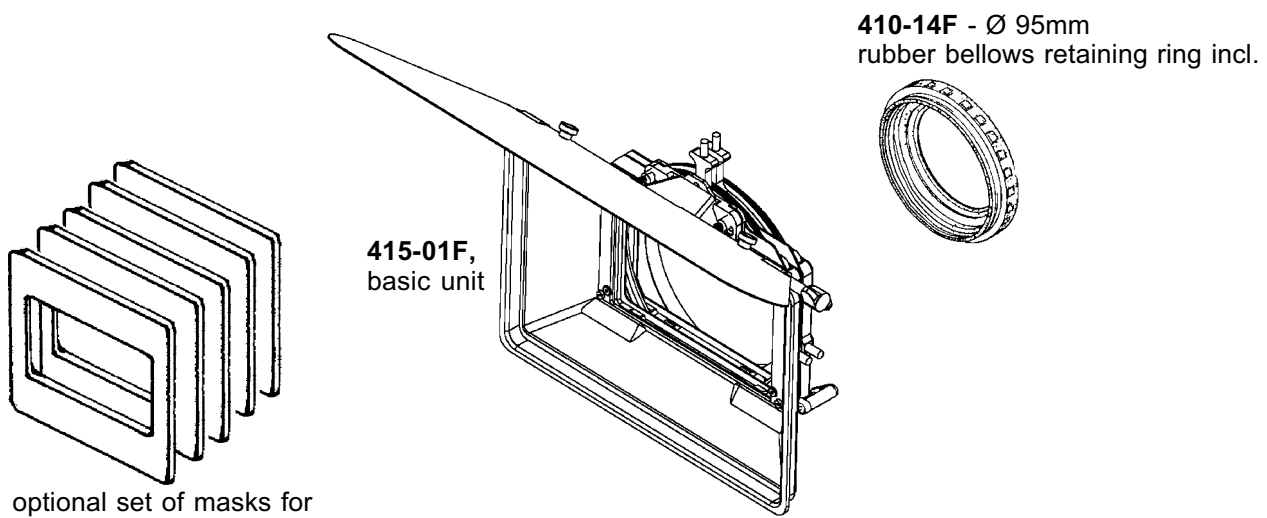
Please note: Order different filterstages in addition to basic unit !

Part no.	Description	Price in EURO
601-01	Standard Mattebox 6.6x6.6 up to f4.8 (5)mm zoom lenses for bridge plate 19mm rods	3.376,00
601-02	Standard Mattebox 6.6x6.6 up to f4.8 (5)mm zoom lenses for bridge plate 15mm rods	3.376,00
Accessories		
601-CF-W1	Filterstage for 1 filterholder 6.6x6.6 (geared, rotating) - FH not incl.	432,00
601-CF-W21	Filterstage for 2 filterholder 6.6x6.6 (1 geared, 2 rotating) - FH not incl.	504,00
601-CF-W22	Filterstage for 2 Filterholder 6.6x6.6 (2 geared, 2 rotating) - FH not incl.	656,00
610-01-56	Insert filterholder 5x6 to use inside FH 6.6x6.6	204,00
610-01-45	Insert filterholder comb. 4x4/4x5.650 to use inside FH 6.6x6.6	204,00
601-165	Rear plate Ø 165mm instead of Ø 142.5mm exchangeable for Film	196,00
Spare parts		
610-01	Filterholder 6.6x6.6	216,00
610-02	Filterholder 6.6x6.6 geared	308,00
610-20	Flexible shaft for geared filterholders	164,00
610-MAP	Set of masks for Zeiss Digi Prime lenses F5 - 40mm (6 units)	198,00
610-09	French flag	64,00
610-10	Set of side wings without pivot mechanism	392,00
610-PM	Pivot mechanism for side wings, set of 2 units	64,00

Mattebox for Fujinon A10x4.8 and Canon J11x4.5

415-01F Mattebox up to focal length 4.5mm zoom lens, basic unit consisting of:

- * wide angle housing covers 16:9/4:3 (CLWAH-F4.8), incl. french flag (410-29)
- * filterstage for two filterholders (1 fixed, 1 rotating)
- * 1 filterholder comb. 4x4/**4x5.650**, fixed (410-31), please use 4x5.650 filter!
- * 1 filterholder comb. **5x5**/4x5.650, rotating (510-01), please use 5x5 filter!
- * rubber bellows retaining ring Ø 95mm (410-14F), no additional insert ring necessary
- * optional use of side wings
horizontal position of mattebox adjustable
± 3mm on light weight support



optional set of masks for different focal length available:
410-MA43 for 4:3
410-MA169 for 16:9
410-MAP for Zeiss Digi Prime lenses

Mattebox has to be mounted on light weight support, see page 21 - 23

For use with other lenses, please exchange rubber bellows retaining ring 410-14F - Ø 95mm to rubber bellows retaining ring, e.g. 410-13 - Ø 100mm and add suitable insert ring according to lens diameter (see page 33).

Please note: Use of side wings may cause vignetting with wide angle lens.

Part no.	Description	Price in EURO
415-01F	Mattebox for 2 filters, up to focal length of 4.5mm zoom lens, basic unit	1.392,00
Accessories		
410-MA43	Set of masks 4:3 (5 units)	124,00
410-MA169	Set of masks 16:9 (5 units)	124,00
410-MAP	Set of masks for Zeiss Digi Prime lenses F5 - 40mm (6 units)	148,00
510-02	Filterholder for 5x6 vertical filter, use instead of 410-31	128,00
401-13	Lens support bracket for Fujinon ENG lenses	276,00
401-19	Lens support bracket for Canon ENG lenses	276,00
410-10PM	Set of side wings, incl. pivot mechanism	372,00
410-10-01	Mounting blocks for side wings, set of 4 units	60,00



Sunshades

(page 10 - 15)

**Sunshades are designed to clamp directly onto lens.
Sunshades are manufactured for lenses with internal focus.**

Please choose your sunshade by considering the following points:

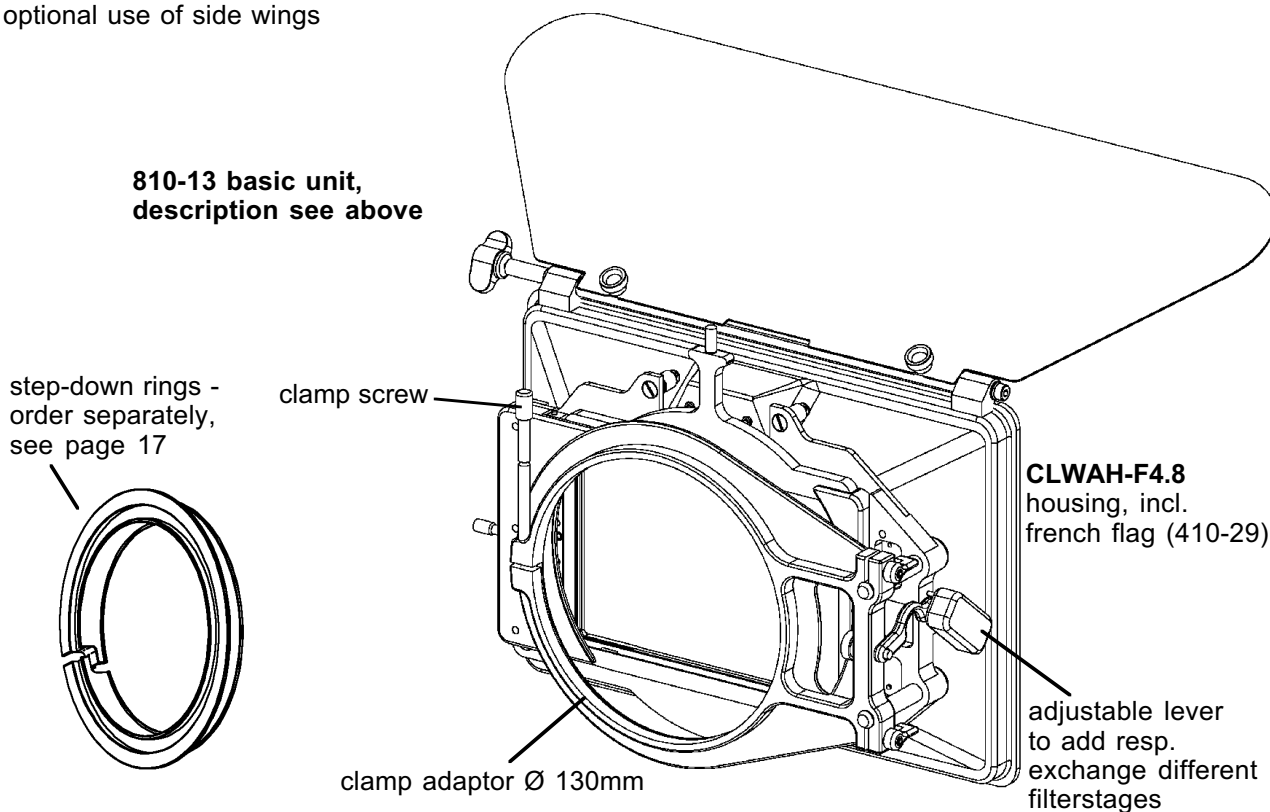
- * **Most important is focal length and external diameter of your lens (see page 33).**
- * **Shooting format 4:3 or 16:9.**
- * **Number of filterholders (depending on focal length).**
- * **Step-down rings have to be ordered separately (see page 17) according to external lens diameter (see page 33).**



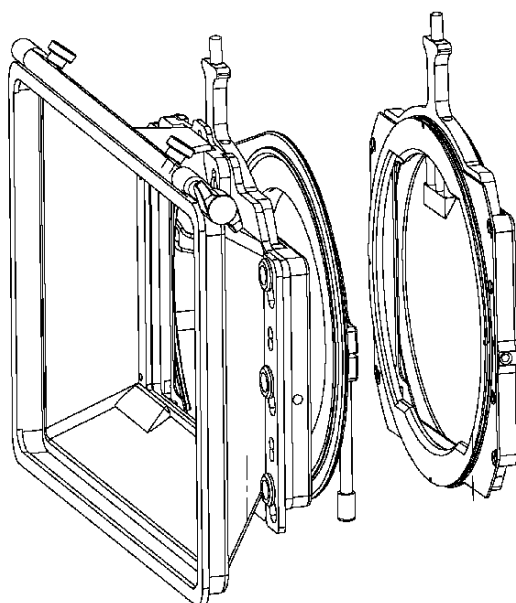
Sunshade with interchangeable filterstages

Basic unit (810-13), up to focal length 4.5mm zoom lens or 5mm Canon / Fujinon prime lenses consisting of:

- * wide angle housing covers format 16:9/4:3 (CLWAH-F4.8), incl. french flag (410-29)
- * adjustable lever to add, resp. exchange different filterstages
- * 1st filterstage for one filterholder for sliding up and down (non rotating) filterholder 4x4/4x5.650 (410-31) is included
- * clamp adaptor \varnothing 130mm (810-13) for use of step-down rings
- * optional use of side wings



Different filterstages to add on sunshade:



830-01 filterstage:

up to focal length of
**4.5mm zoom lens and
5mm Zeiss prime lens**
rotating, FH not included,
see page 18

When using this filterstage,
with wide angle lens,
please add filterholder
5x5/4x5.650 (510-01).
Use 5x5 filters, others may
cause vignetting.



Sunshade with interchangeable filterstages

Drawing shows basic unit incl.

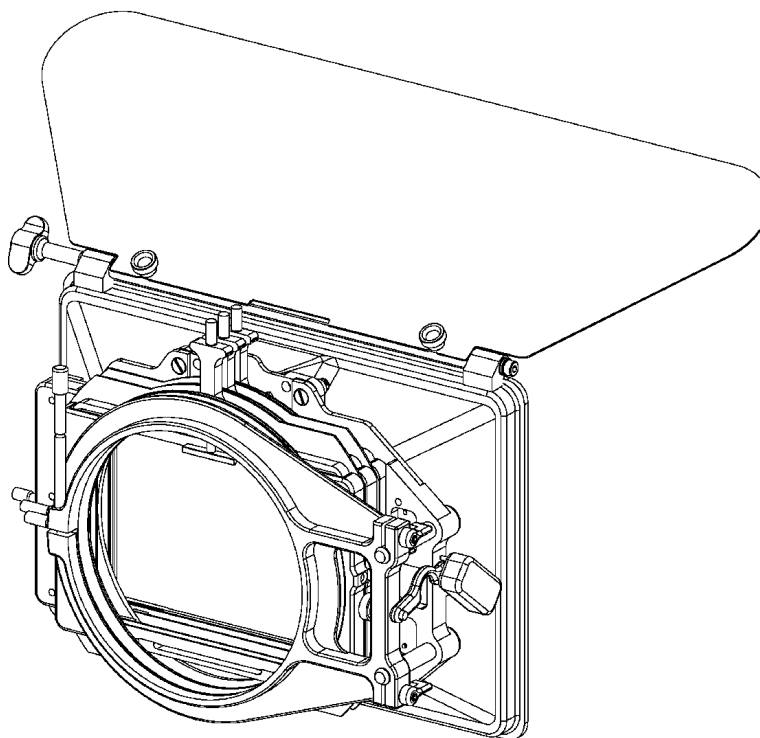
* filterstage 830-02

* filterholders 410-31 (2x)

830-02 filterstage:

up to focal length of
5.2mm zoom lens,
rotating, FH not included,
see page 18

Filterholders
4x4/**4x5.650** (410-31)
are recommended, but
you can also choose
others.



Part no.	Description	Price in EURO
810-13	Sunshade to interchange filterstages, clamp adaptor Ø130mm,basic unit	1.268,00
830-01	Filterstage for total 2 FH, up to f 4.5mm - FH not incl.	128,00
830-02	Filterstage for total 3 FH, up to f 5.2mm - FH not incl.	196,00
Accessories, spares		
801-13	Filterstage of Sunshade 810-13, (basic unit without housing)	1.052,00
411-60	Intermediate Ring 130:110mm for use of step-down rings 110:__mm	98,00
410-MA43	Set of masks for 4:3 (5 units)	124,00
410-MA169	Set of masks for 16:9 (5 units)	124,00
410-MAP	Set of masks for Zeiss Digi Prime lenses F5 - 40mm (6 units)	148,00
410-10PM	Set of side wings, incl. pivot mechanism	372,00
410-10-01	Mounting blocks for side wings, set of 4 units	60,00

Please note: Different housings can be used (e.g. CWAH-1FH), please order additional housing separately (see page 12). Attention, above focal length indications may not be valid when using another housing!

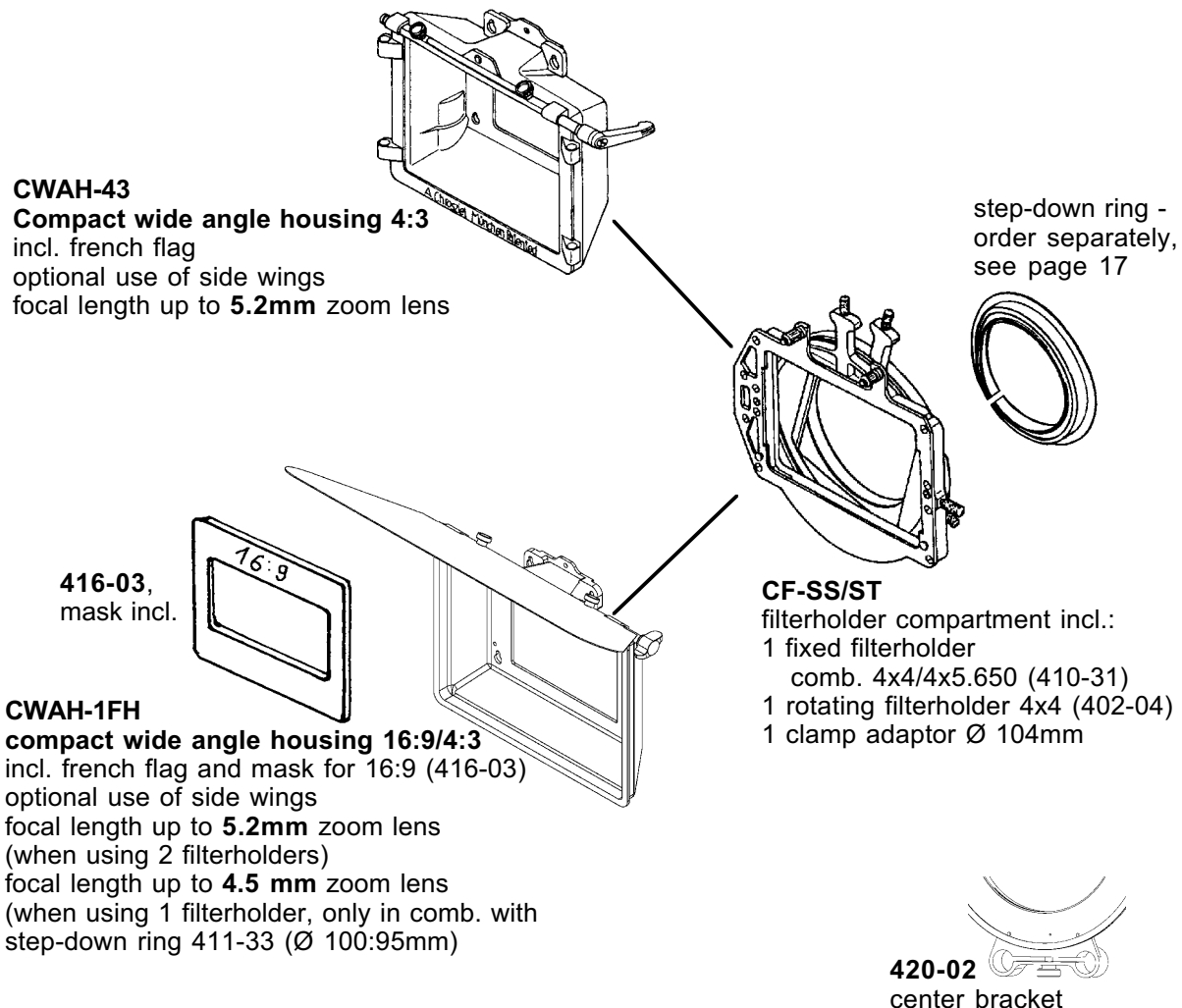
Step-down rings see page 17

Filterholders see page 18



Compact Sunshade Standard for 2 filters

Please choose one of the following housings and add filterstage CF-SS/ST:



Part no.	Description	Price in EURO
Compact housings		
CWAH-43	Compact wide angle housing 4:3, incl. french flag	216,00
CWAH-1FH	Compact wide angle housing 4:3 and 16:9, incl. french flag and mask	226,00
Compact filterholder unit		
CF-SS/ST	Compact filterholder unit, incl. filterholders (1 fixed, 1 rotating)	658,00
Accessories and spares		
410-10PM	Set of side wings, incl. pivot mechanism	372,00
410-10-01	Mounting blocks for side wings, set of 4 units	60,00
420-02	Center bracket to use Sunshade with light weight support	94,00
411-33	Step-down ring Ø104 to 95mm for use with 1 filterholder up to f4.5	44,00
416-03	Quick-release mask for 16:9 for housing CWAH-1FH - as spare	20,00

Step-down rings see page 17

Additional filterholders see page 18

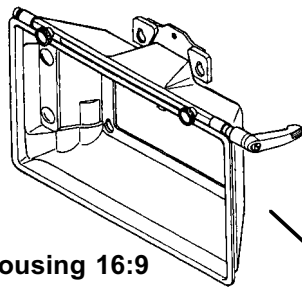


Compact Sunshade Ø 110mm

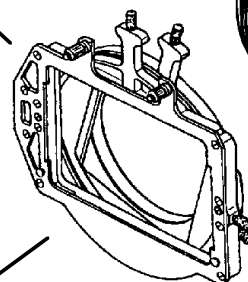
Please choose one of the following housings and add filterstage CF-SS/110:

CLWAH-169

Compact large wide angle housing 16:9
incl. french flag
optional use of side wings
focal length up to **5.2mm** zoom lens



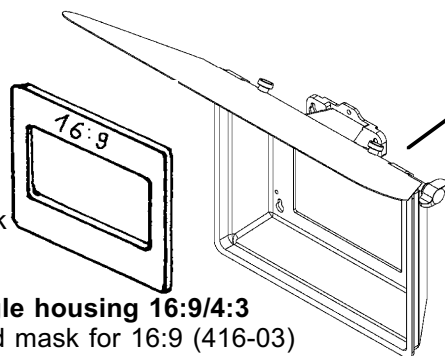
step-down ring
- order separately,
see page 17



CF-SS/110

filterholder compartment incl.:
1 fixed filterholder
comb. 4x4/4x5.650 (410-31)
1 rotating filterholder
comb. 4x4/4x5.650 (410-31)
1 clamp adaptor Ø 110mm

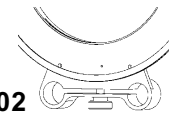
416-03,
incl. mask



CWAH-1FH

compact wide angle housing 16:9/4:3
incl. french flag and mask for 16:9 (416-03)
optional use of side wings
focal length up to **5.2mm** zoom lens
(when using 2 filterholders)
focal length up to **4.5 mm** zoom lens
(when using 1 filterholder, only in comb.
with step-down ring 411-45 (Ø 110:95mm))

420-02
center bracket



Part no.	Description	Price in EURO
Compact housings		
CLWAH-169	Compact large wide angle housing 16:9, incl. french flag	216,00
CWAH-1FH	Compact wide angle housing 4:3 and 16:9, incl. french flag and mask	226,00
Compact filterholder unit		
CF-SS/110	Compact filterholder unit, incl. filterholders (1 fixed, 1 rotating)	1.012,00
Accessories and spares		
410-10PM	Set of side wings, incl. pivot mechanism	372,00
410-10-01	Mounting blocks for side wings, set of 4 units	60,00
420-02	Center bracket to use Sunshade with light weight support	94,00
411-45	Step-down ring Ø110 to 95mm for use with 1 filterholder up to f4.5	52,00
416-03	Quick-release mask for 16:9 for housing CWAH-1FH - as spare	20,00

Step-down rings see page 17

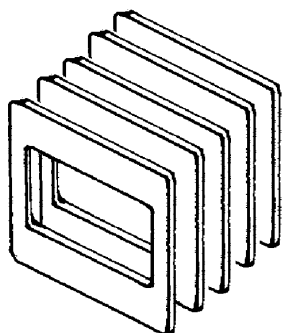
Additional filterholders see page 18



Sunshade for Fujinon A10x4.8 and Canon J11x4.5

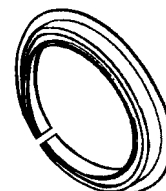
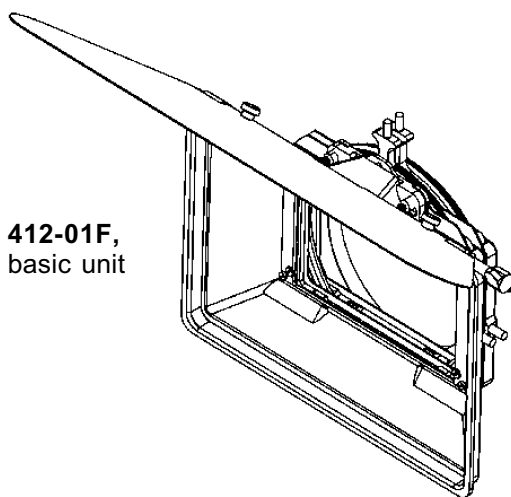
412-01F Sunshade up to focal length 4.5mm zoom lens, basic unit consisting of:

- * wide angle housing covers 16:9/4:3 (CLWAH-F4.8), incl. french flag (410-29)
- * filterstage for two filterholders (1 fixed, 1 rotating)
- * 1 filterholder comb. 4x4/**4x5.650**, fixed (410-31), please use 4x5.650 filter!
- * 1 filterholder comb. **5x5**/4x5.650, rotating (510-01), please use 5x5 filter!
- * clamp adaptor Ø 104mm
- * optional use of side wings possible

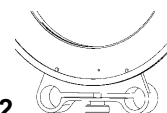


optional set of masks for
different focal length available:
410-MA43 for 4:3
410-MA169 for 16:9
410-MA9 for Zeiss Digi Prime lenses

412-01F,
basic unit



step-down ring -
order separately,
see page 17
for Ø 95mm order 411-28F



420-02
center bracket

Please note: Use of side wings may cause vignetting with wide angle lens.

Part no.	Description	Price in EURO
412-01F	Sunshade for 2 filters, up to focal length of 4.5mm zoom lens, basic unit	1.228,00
Accessories		
411-28F	Step-down ring for Fujinon/Canon Ø 104:95mm	64,00
410-MA43	Set of masks 4:3 (5 units)	124,00
410-MA169	Set of masks 16:9 (5 units)	124,00
410-MAP	Set of masks for Zeiss Digi Prime lenses F5 - 40mm (6 units)	148,00
510-02	Filterholder 5x6 vertical filter, use instead of 410-31	128,00
420-02	Center bracket to use sunshade with light weight support	94,00
401-13	Lens support bracket for Fujinon ENG lenses	276,00
401-19	Lens support bracket for Canon ENG lenses	276,00
410-10PM	Set of side wings, incl. pivot mechanism	372,00
410-10-01	Mounting blocks for side wings, set of 4 units	60,00

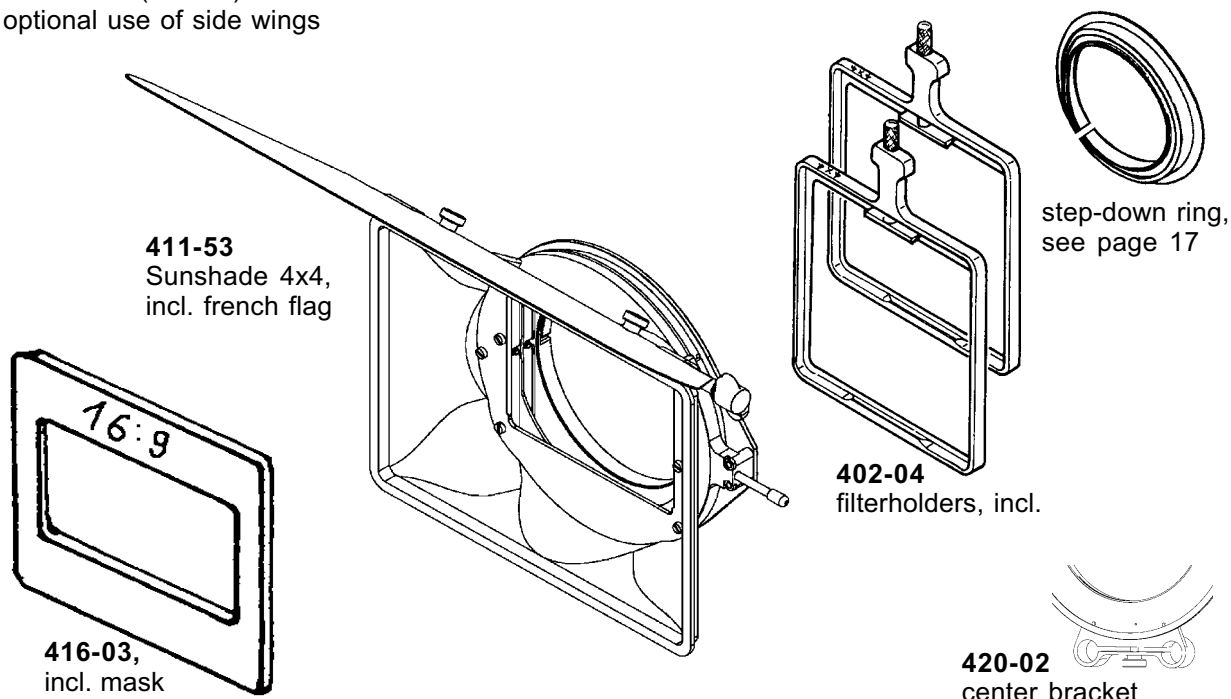
Step-down rings see page 17

Additional filterholders see page 18

Sunshade 4x4

411-53 Sunshade 4x4, up to focal length of 5.2mm zoom lens or with 1 filterholder up to 4.5mm zoom lens, basic unit consisting of:

- * housing covers 16:9/4:3, incl. french flag (402-26)
up to focal length 5.2mm zoom lens, with 1 filterholder up to 4.5mm zoom lens
- * filterstage for two filterholders (1 fixed, 1 rotating)
- * 2 filterholders 4x4 (402-04)
- * clamp adaptor Ø 104mm
- * mask 16:9 (416-03)
- * optional use of side wings



Sunshade 411-53 up to focal length of 5.2mm zoom lens. Also up to focal length of 4.5mm zoom lenses with special step-down ring (411-31 - Ø104:95mm). When using only one filterholder 4x4. Mask for 16:9 (416-03) is included. Optional use of side wings.

Part no.	Description	Price in EURO
411-53	Sunshade 4x4, up to focal length 5.2mm resp. 4.5mm basic unit	698,00
Accessories		
410-10PM	Set of side wings, incl. pivot mechanism	372,00
410-10-01	Mounting blocks for side wings, set of 4 units	60,00
411-31	Step-down ring Ø 104:95mm for use with 1 filterholder up to focal length of 4.5mm zoom lenses	44,00
420-02	Center bracket to use sunshade with light weight support	94,00
416-03	Mask for 16:9 - as spare	20,00

Step-down rings see page 17

Additional filterholders see page 18



Insert rings, retaining rings for Mattebox

Part no.	Description	Price in EURO
Light prevention rings for rubber bellows retaining ring Ø 100mm (410-13)		
410-27	Insert ring Ø 100mm to 62mm	32,00
410-23	Insert ring Ø 100mm to 65mm	32,00
410-26	Insert ring Ø 100mm to 70mm	32,00
410-22	Insert ring Ø 100mm to 75mm	32,00
410-17V	Insert ring Ø 100mm to 80mm for Video lenses	32,00
410-17F	Insert ring Ø 100mm to 80mm for Film lenses	32,00
410-16	Insert ring Ø 100mm to 83mm	32,00
410-19	Insert ring Ø 100mm to 85mm	32,00
410-28	Insert ring Ø 100mm to 86mm	32,00
410-15	Insert ring Ø 100mm to 87mm	32,00
410-18	Insert ring Ø 100mm to 90mm	32,00
410-25	Insert ring Ø 100mm to 92mm	32,00
410-21	Insert ring Ø 100mm to 94mm	32,00
410-14	Insert ring Ø 100mm to 95mm (not for wide angle less than F4.9mm)	32,00
410-55	Insert ring Ø 100mm to 95mm for use CWAH-1FH & CF-MB/ST with 1 FH up to focal length 4.5mm zoom lenses	32,00
410-20	Insert ring Ø 100mm to 98mm	32,00
Light prevention rings for rubber bellows retaining ring Ø 110mm (410-11)		
410-39	Insert ring Ø 110mm to 85mm (not for Fujinon HA10x5)	42,00
410-40	Insert ring Ø 110mm to 86mm	42,00
410-41	Insert ring Ø 110mm to 95mm (not for wide angle less than F4.9mm)	42,00
410-56	Insert Ring Ø 110mm to 95mm for use CWAH-1FH & CF-MB/ST with 1 FH up to focal length 4.5mm zoom lenses	42,00
410-42	Insert ring Ø 110mm to 96mm	42,00
410-44	Insert ring Ø 110mm to 98mm	42,00
410-46	Insert ring Ø 110mm to 100mm	42,00
410-48	Insert ring Ø 110mm to 105mm	42,00
Retaining rings to add on mattebox Ø 142.5mm directly (instead of rubber bellows)		
410-52	Retaining ring Ø 142.5mm to 117mm	64,00
410-50	Retaining ring Ø 142.5mm to 120mm	98,00
410-53	Retaining ring Ø 142.5mm to 128mm	64,00
410-49	Retaining ring Ø 142.5mm to 130mm	64,00
410-51	Retaining ring Ø 142.5mm to 132mm	64,00
Rubber bellows retaining rings to add on mattebox directly		
410-13	Rubber bellows retaining ring Ø 142.5mm to 100mm	154,00
410-11	Rubber bellows retaining ring Ø 142.5mm to 110mm	154,00
410-14F	Rubber bellows retaining ring Ø 142.5mm to 95mm (for Fujinon A10x4.8 and Canon J11x4.5)	154,00
410-47	Rubber bellows retaining ring Ø 142.5mm to 85mm (for Fujinon HA10x5)	154,00
410-13-01	Insert ring for rubber bellows Ø 100mm - as spare	32,00
410-11-01	Insert ring for rubber bellows Ø 110mm - as spare	32,00
410-14F-01	Insert ring for rubber bellows Ø 95 mm - as spare	44,00
410-08	Holding ring for Ø 138mm round filter for rubber bellows - as spare	28,00
410-09	Holding ring for 4 1/2" round filter, incl. screw in ring for rubber bellows	48,00

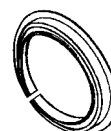


Please see list of lens diameters page 33!



Step-down rings, intermediate rings for Sunshade

Part no.	Description	Price in EURO
Step-down rings for sunshade clamp adaptor Ø 104mm		
411-36	Step-down ring Ø 104mm to 65mm	44,00
411-32	Step-down ring Ø 104mm to 75mm	44,00
411-21	Step-down ring Ø 104mm to 80mm	44,00
411-22	Step-down ring Ø 104mm to 83mm	44,00
411-23	Step-down ring Ø 104mm to 85mm	44,00
411-23F	Step-down ring Ø 104mm to 85mm for Fujinon lenses	44,00
411-24	Step-down ring Ø 104mm to 86mm	44,00
411-25	Step-down ring Ø 104mm to 87mm	44,00
411-26	Step-down ring Ø 104mm to 90mm	44,00
411-16	Step-down ring Ø 104mm to 92mm	44,00
411-27	Step-down ring Ø 104mm to 94mm	44,00
411-28	Step-down ring Ø 104mm to 95mm	44,00
411-28F	Step-down ring Ø 104mm to 95mm for 412-01F	64,00
411-31	Step-down ring Ø 104mm to 95mm for use sunshade 411-53 with 1 filterholder up to focal length 4.5mm zoom lens	44,00
411-33	Step-down ring Ø 104mm to 95mm for use CWAH-1FH & CF-SS/ST with 1 filterholder up to focal length 4.5mm zoom lens	44,00
411-29	Step-down ring Ø 104mm to 98mm	44,00
411-30	Step-down ring Ø 104mm to 100mm	44,00
Step-down rings for sunshade clamp adaptor Ø 110mm		
411-39	Step-down ring Ø 110mm to 80mm	64,00
411-43	Step-down ring Ø 110mm to 85mm	64,00
411-40	Step-down ring Ø 110mm to 86mm	52,00
411-41	Step-down ring Ø 110mm to 95mm	52,00
411-45	Step-down ring Ø 110mm to 95mm for use CWAH-1FH & CF-SS/110 with 1 filterholder up to focal length 4.5mm zoom lens	52,00
411-42	Step-down ring Ø 110mm to 96mm	52,00
411-44	Step-down ring Ø 110mm to 98mm	52,00
411-46	Step-down ring Ø 110mm to 100mm	52,00
411-48	Step-down ring Ø 110mm to 105mm	52,00
Step-down rings and intermediate ring for sunshade clamp adaptor Ø 130mm		
411-54	Step-down ring Ø 130mm to 95mm (not for wide angle less than F4.9mm)	64,00
411-59	Step-down ring Ø 130mm to 110mm	64,00
411-60	Intermediate ring Ø 130mm to 110mm for use of different step-down ring Ø 110 to __mm	98,00
411-56	Step-down ring Ø 130mm to 117mm	64,00
411-55	Step-down ring Ø 130mm to 120mm	64,00
411-57	Step-down ring Ø 130mm to 128mm	64,00
411-58	Intermediate ring Ø 130mm to 132mm	102,00
Intermediate ring for sunshade clamp adaptor Ø 104mm		
420-03	Intermediate ring Ø 104mm to 100mm	32,00
	<u>Please note:</u> When using sunshade with center bracket please order intermediate ring 420-03 and add necessary insert rings according to lens diameter, see page 16.	

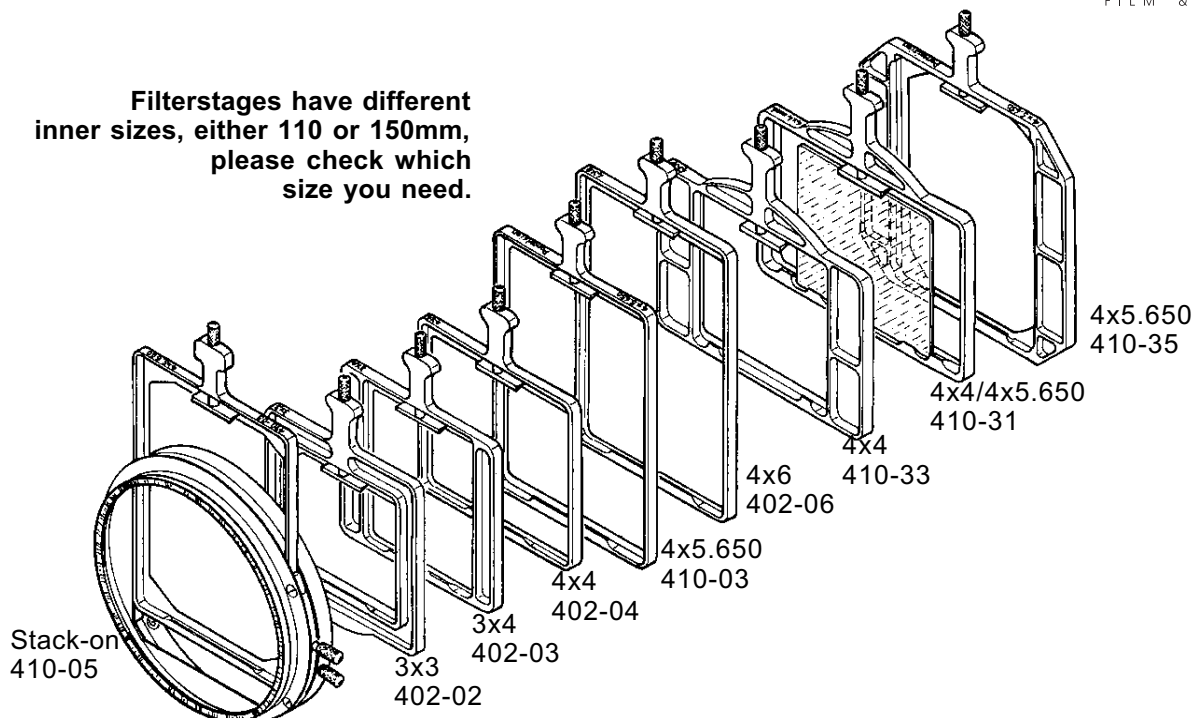


Please see list of lens diameters page 33!



Filterholders

Filterstages have different inner sizes, either 110 or 150mm, please check which size you need.



Part no.	Description	Price in EURO
----------	-------------	---------------

Filterholders for mattebox and sunshade

For filter compartments with inner size of **110 mm**

402-02	Filterholder for 3x3 filter	128,00
402-03	Filterholder for 3x4 filter - vertical filter	128,00
402-04	Filterholder for 4x4 filter	128,00
402-08	Filterholder for 4x5 - vertical filter	128,00
402-06	Filterholder for 4x6 - vertical filter	128,00
410-03	Filterholder for 4x5.650 - vertical filter	128,00

For filter compartments with inner size **150 mm**

410-31	Combination filterholder for 4x4 or 4x5.650 - horizontal filter	128,00
510-01	Combination filterholder for 5x5 or 4x5.650 - horizontal filter	128,00
410-33	Filterholder for 4x4 filter (shaded on both sides)	128,00
410-37	Filterholder for 4x5 filter - vertical filter	128,00
410-35	Filterholder for 4x5.650 filter - vertical filter (shaded on both sides)	128,00
410-36	Filterholder for 4x6 filter - vertical filter	128,00
510-04	Filterholder for 5.650x4.500 - horizontal filter	on request
510-03	Filterholder for 5.650x5.650	on request
510-02	Filterholder for 5x6 filter - vertical filter	128,00
410-38	Filterholder for 138mm round filters	144,00
410-05	Stack-on filterholder for Ø 138mm round filter and 1 square filterholder (inner size of 110mm) to add between rear plate of mattebox Ø 142.5mm and retaining ring, not for Sunshades!	144,00

Filterholders geared - for mattebox 805-01

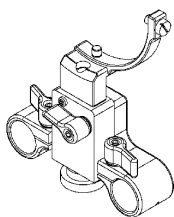
For filter compartments with inner size **150 mm**

410-31G	Combination filterholder for 4x4 or 4x5.650 - horizontal filter (geared)	148,00
510-01G	Combination filterholder for 5x5 or 4x5.650 - horizontal filter (geared)	148,00
410-35G	Filterholder for 4x5.650 filter - vertical filter (geared, shaded on both sides)	148,00
410-36G	Filterholder for 4x6 filter - vertical filter (geared)	148,00
510-04G	Filterholder for 5.650x4.500 - horizontal filter (geared)	on request
510-03G	Filterholder for 5.650x5.650 - (geared)	on request

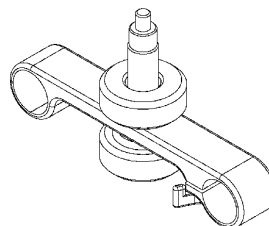


Accessories, spare parts

Part no.	Description	Price in EURO
French flags		
402-26	French flag for CWAH-43, CWAH-169, CWAH-1FH, CLWAH-43 CBH-43, 411-52, 411-53	32,00
410-29	French flag for CWAH-S16, CLWAH-169, CBH-S16, CLWAH-F4.8, 412-01F, 415-01F, 805-01 (CLWAH-8), 810-13	36,00
610-09	French flag for Mattebox 6.6x6.6	64,00
Side wings		
410-10PM	Set of side wings, incl. pivot mechanism	372,00
410-10	Set of side wings without pivot mechanism	308,00
410-PM	Pivot mechanism for side wings, set of 2 units	64,00
410-10-01	Mounting blocks for side wings, set of 4 units	60,00
610-10	Set of side wings without pivot mechanism for Mattebox 6.6x6.6	392,00
610-PM	Pivot mechanism for side wings, set of 2 units for Mattebox 6.6x6.6	64,00
Masks		
416-02	Quick-release mask for 16:9 for CBH-43	48,00
416-03	Quick-release mask for 16:9 for CWAH-1FH and 411-53	20,00
410-MA43	Set of masks 4:3 (5 units) for housings CLWAH-F4.8	124,00
410-MA169	Set of masks 16:9 (5 units) for housings CLWAH-F4.8	124,00
410-MAP	Set of masks for Zeiss Digi Prime lenses F5 - 40mm (6 units)	148,00
610-MAP	Set of masks for Zeiss Digi Prime lenses F5 - 40mm (6 units)	198,00
Adaptors		
401-10	Adaptor 15mm to 19mm bridge plate rods	164,00
401-12	Adaptor 15mm to 15mm bridge plate rods	164,00
401-17	Adaptor 15mm to 19mm bridge plate rods, hor. and vert. adjustable (only to use with mattebox)	224,00
401-18	Adaptor 15mm to 15mm bridge plate rods, hor. and vert. adjustable (only to use with mattebox)	224,00
Lens support bracket to mount on 15mm light weight support rods		
401-13	Lens support bracket for Fujinon ENG lenses	276,00
401-19	Lens support bracket for Canon ENG lenses	276,00
401-20	Lens support bracket for Fujinon HD lenses	on request
401-21	Lens support bracket for Canon HD lenses (fits to HJ11x4.7, HJ21x7.5, HJ21x7.8 - but not to cine style versions)	276,00
Lens support bracket to mount on 19mm bridge plate rods		
401-16F	Lens support bracket for Fujinon 36x	276,00
401-16C	Lens support bracket for Canon 33x	276,00
401-25	Lens support for Fujinon HA12x9.5 and HA5x6	276,00
401-27	Lens support for Canon HJ40x10 and HJ40x14	276,00



401-13
lens support for
Fujinon ENG lenses



401-16F
lens support for
Fujinon 36x lens



Support systems

(page 21 - 25)

Matteboxes, studio rigs ... are developed to mount on 15mm light weight support rods resp. heavy duty support rods.

When using an adaptor (e.g. 401-10) they can also be mounted on 19mm or 15mm bridge plate rods.

Heavy duty supports and handgrip

Heavy duty support for Sony, Panasonic and Thomson cameras

New design of stronger, rigid heavy duty support in combination with quick-lock plate 401-120.

Heavy duty supports are available for different cameras. Please order the suitable support according to below mentioned camera types.

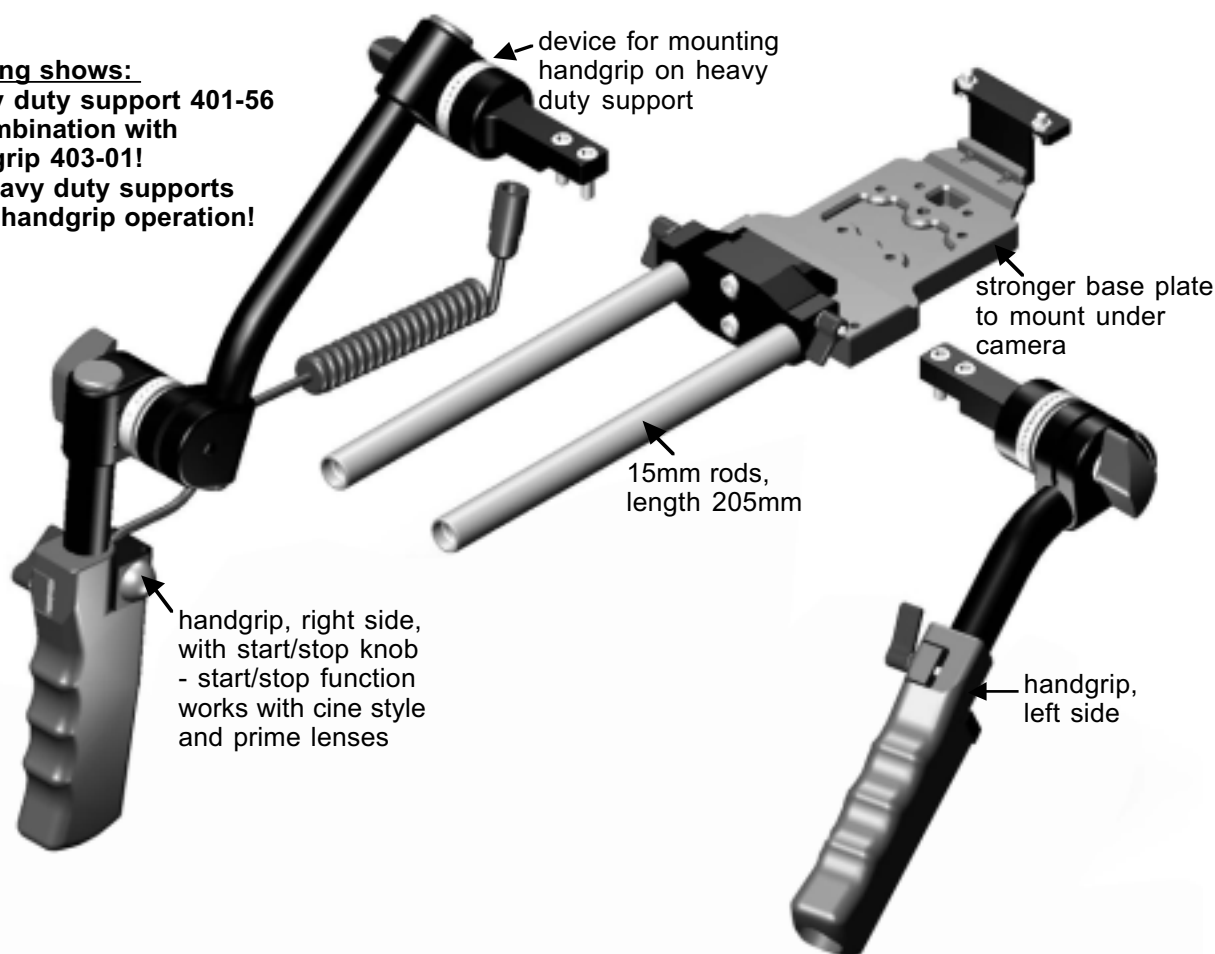
403-01 Set of two handgrips for use with heavy duty supports

incl. mounting device. Operation handgrip to be mounted on right side. Adjustable and with knob for camera start/stop.

Drawing shows:

Heavy duty support 401-56
in combination with
handgrip 403-01!

All heavy duty supports
allow handgrip operation!



Part no.	Description	Price in EURO
401-56	Heavy duty support for Sony HDW-F900, HDW-700, DVW-700	450,00
401-60	Heavy duty support for Sony Universal	450,00
401-87	Heavy duty support for Panasonic HDC20, HDC27	450,00
401-92	Heavy duty support for Thomson Viper	450,00
Accessories and spares		
403-01	Set of two handgrips to be mounted on heavy duty supports incl. mounting device	998,00
403-02	Mounting device - as spare	140,00
401-01-06	Rod for light weight support with individual length	34,00

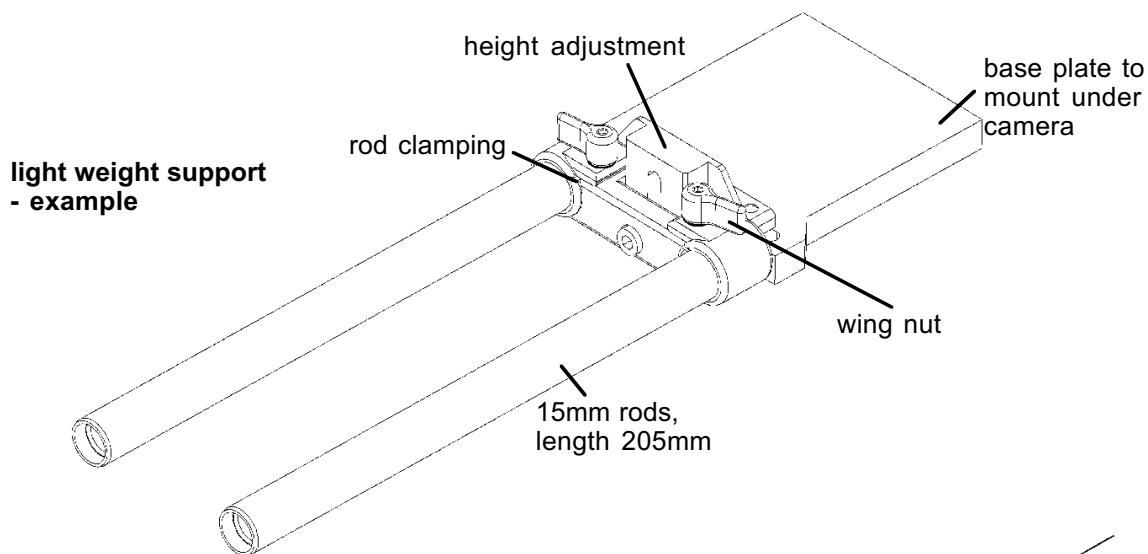


Light weight supports

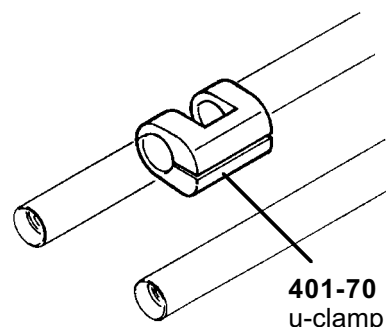
Matteboxes, studio rigs ... are developed to mount on 15mm light weight support rods.

When using an adaptor (e.g. 401-10) they can be mounted also on 19 or 15mm bridge plate rods.

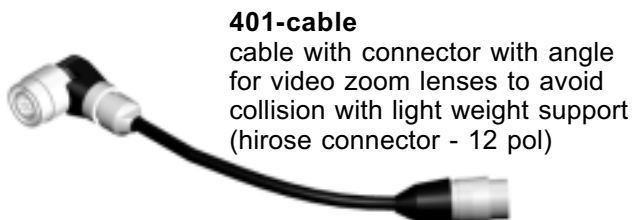
All light weight supports are equipped with 15mm rods (Standard length 205mm) - set of 2!



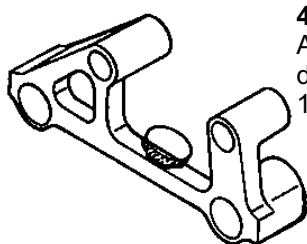
light weight support
- example



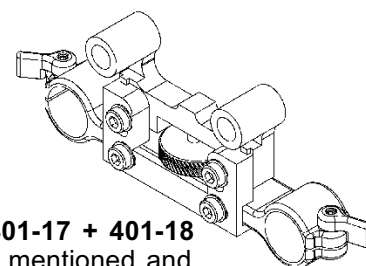
401-70
u-clamp



401-cable
cable with connector with angle
for video zoom lenses to avoid
collision with light weight support
(hirose connector - 12 pin)



401-10 + 401-12
Adaptor to mount, e.g. matteboxes
directly on bridge plate either
15mm or 19mm



401-17 + 401-18
Adaptor as above mentioned and
horizontally and **vertically** adjustable,
only to use with Matteboxes



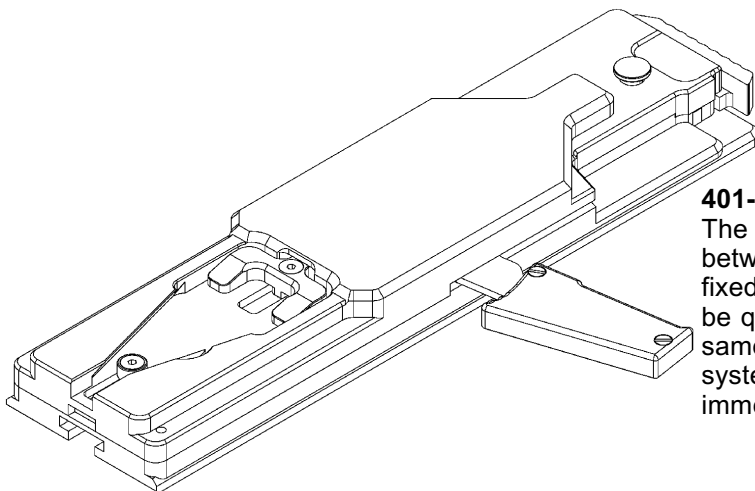
Light weight supports

Part no.	Description	Price in EURO
Light weight supports for Sony		
401-50	Light weight support Sony universal	256,00
401-56	Heavy duty support Sony HDW-F900, HDW-700, DVW-700 (see page 21)	450,00
401-60	Heavy duty support Sony universal (see page 21)	450,00
401-85	Light weight support for Sony BVP-550P	276,00
Light weight supports for Ikegami		
401-77	Light weight support Ikegami universal	296,00
401-81	Light weight support Ikegami HK355-PD	256,00
401-66	Light weight support Ikegami cameras with Sony tripod base plate	276,00
Light weight supports for JVC		
401-67	Light weight support JVC KY-35, KY-27CE, KY-D29 & compat. cameras	256,00
401-68	Light weight support JVC GY-DV 500, DY90E and compatible cameras	256,00
401-69	Light weight support JVC GY-DV 700	256,00
401-65	Light weight support JVC GY-DV 300	on request
Light weight support for Panasonic		
401-89	Light weight support Panasonic universal (Panasonic AJD 200, 215, 300, 700, 900, 910, HDC20, HDC27)	256,00
401-87	Heavy duty support Panasonic HDC20, HDC27 (see page 21)	450,00
Light weight support for Hitachi		
401-39	Light weight support Hitachi universal, incl. spacer plate	276,00
Light weight supports for Philips BTS		
401-88	Light weight support BTS LDK 10P/20P	256,00
401-90	Light weight support BTS LDK 100/120, 6000 for hand-held shooting	276,00
401-91	Light weight support BTS LDK 100/120, 6000 for mounting on quick-lock	276,00
401-84	Light weight support Thomson TTV 1657	256,00
401-92	Heavy duty support Thomson Viper (see page 21)	450,00
Accessories and spare		
401-14	Extension rods 50mm for light weight support rods (set of 2)	26,00
401-83	Extension rods 100mm for light weight support rods (set of 2)	26,00
401-70	U-clamp for light weight support rods	42,00
401-01-04	Rod for light weight support, 205mm	34,00
401-01-04A	Rod for light weight support, 205mm with free cut	44,00
401-01-06	Rod for light weight support with individual length	34,00
401-10	Adaptor 15mm to 19mm bridge plate rods	164,00
401-12	Adaptor 15mm to 15mm bridge plate rods	164,00
401-17	Adaptor 15mm to 19mm bridge plate rods, hor. and vert. adjustable	224,00
401-18	Adaptor 15mm to 15mm bridge plate rods, hor. and vert. adjustable	224,00
401-cable	Cable with connector with angle for video zoom lenses to avoid collision with light weight support (Hirose connector - 12 pol)	198,00
<i>Accessories for OLD light weight support Sony 401-55 and 401-51:</i>		
401-52-01	Intermediate Spacer for LWS 401-55 for lenses without extender	52,00
401-53-01	Extended height adjustment for LWS 401-55 for Sony DSR300/500	52,00



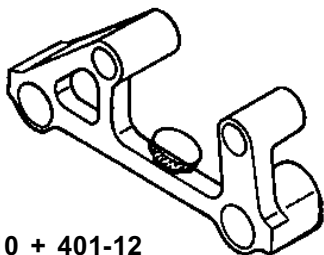
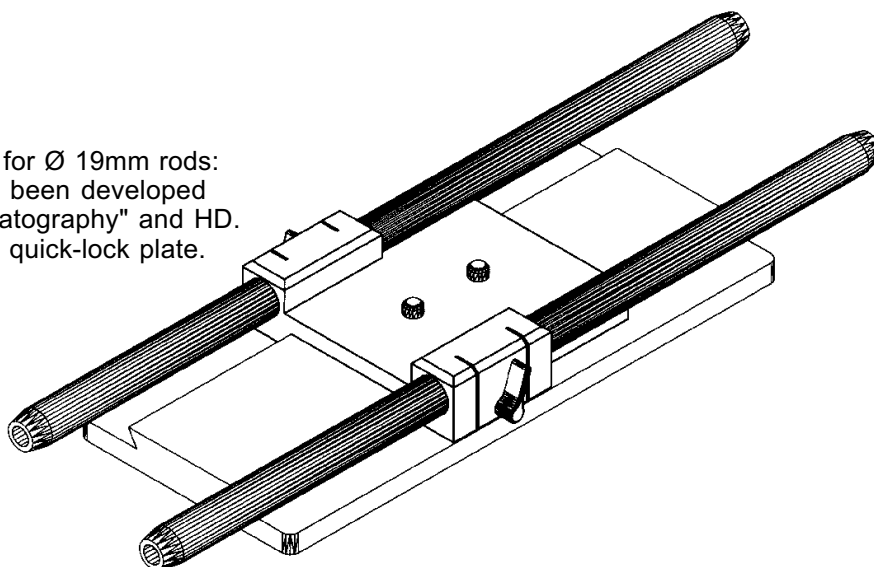
Camera plates

All quick-lock and bridge plates are designed for perfect fitting to high definition cameras (Sony HDW-700, HDW-F900 et. al.) and new generation of digital ENG cameras which are already equipped with Sony tripod plate (e.g. BTS, Ikegami, Thomson Viper, Panasonic HD C20, HD C27).



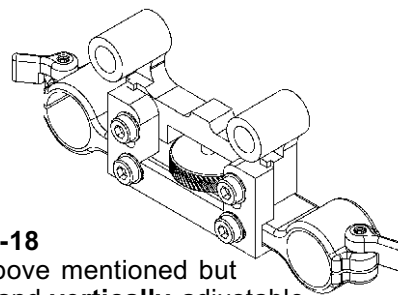
401-120 Quick-lock plate (US & D patented):
The plate guarantees rigid connection between camera and tripod. The camera is fixed in two points through one lever and can be quickly removed from the plate with the same lever. Due to the integrated quick-lock system, the camera can be taken off immediately for hand-held shooting.

401-121 bridge plate for Ø 19mm rods:
This bridge plate has been developed for "Electronic Cinematography" and HD. For use with 401-120 quick-lock plate.



401-10 + 401-12

Adaptor to mount, e.g. matteboxes directly on bridge plate either 15mm or 19mm

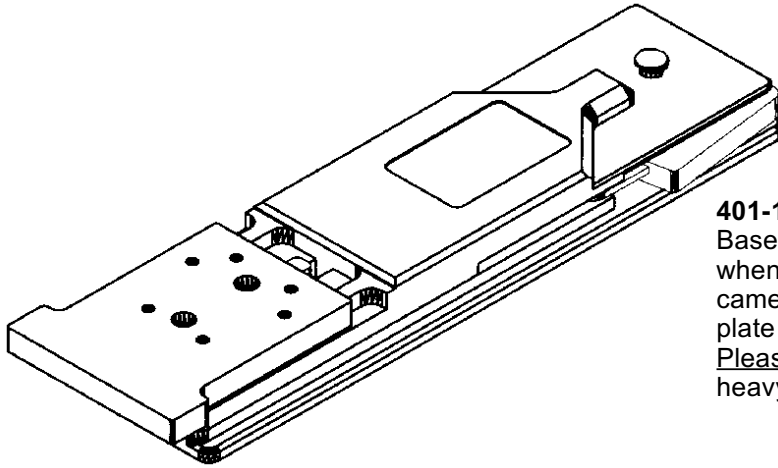


401-17 + 401-18

Adaptor as above mentioned but **horizontally** and **vertically** adjustable, only to use with Matteboxes



Camera plates



401-120 with 401-50-01:
 Base plate is absolutely necessary when using Sony HD and digital ENG cameras in conjunction with bridge plate to line up optical axis to rods.
Please note: For Sony HDW-F900 heavy duty support 401-56 must be used.

Part no.	Description	Price in EURO
Camera plates		
401-120	Quick-lock plate - US & D patented	654,00
401-121	Bridge plate for 19mm rods, incl. rods	756,00
401-122	Bridge plate for 15mm rods, incl. rods with integrated quick-lock plate 401-120	1.370,00
Accessories		
401-50-01	Base plate of light weight support Sony universal (401-50)	144,00
401-50-02	Rods, clamping and height adjustment to complete 401-50-01	114,00
401-10	Adaptor 15mm to 19mm bridge plate rods	164,00
401-12	Adaptor 15mm to 15mm bridge plate rods	164,00
401-17	Adaptor 15mm to 19mm bridge plate rods, hor. and vert. adjustable	224,00
401-18	Adaptor 15mm to 15mm bridge plate rods, hor. and vert. adjustable	224,00



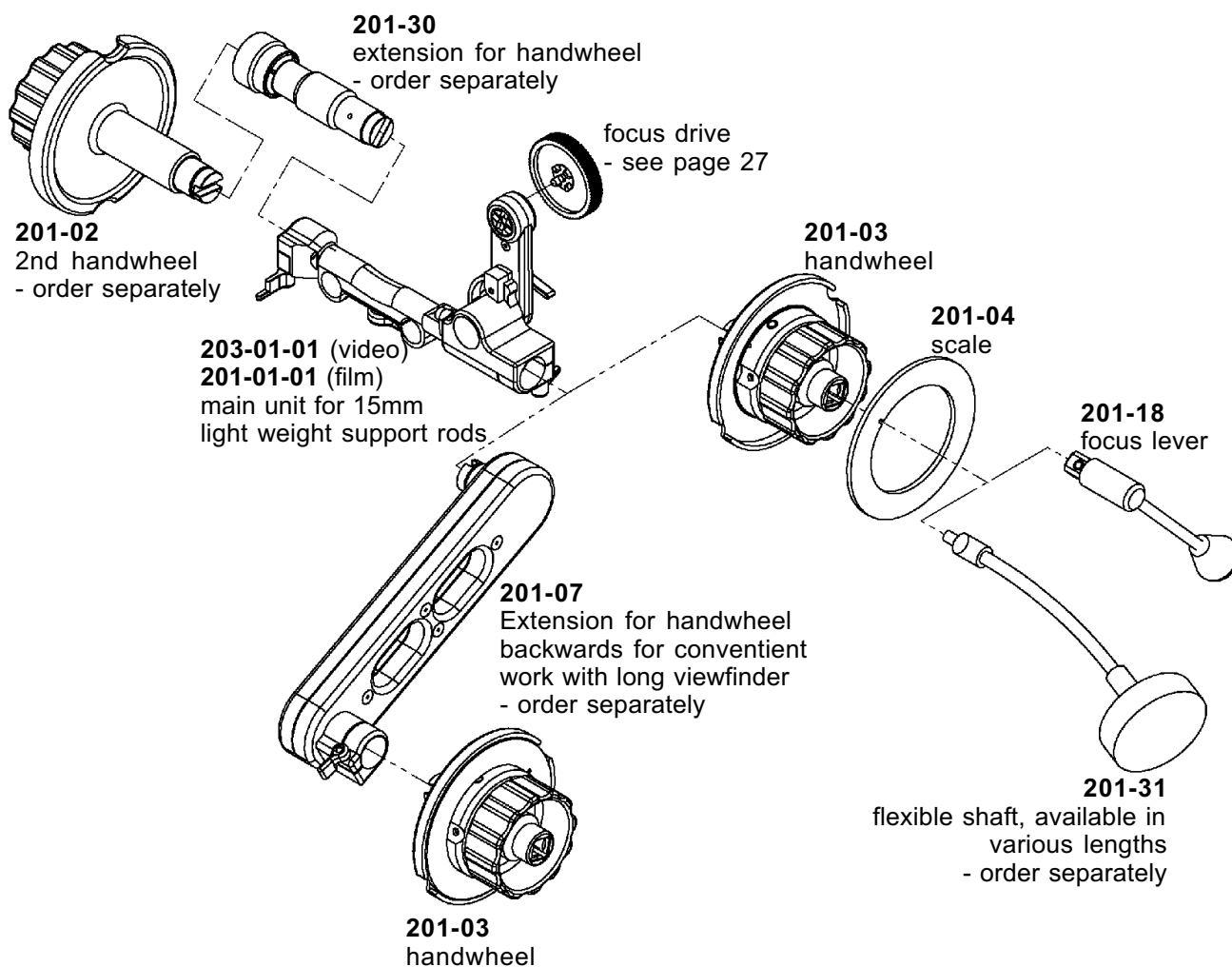
Studio rig - follow focus system

Studio rig VIDEO or FILM basic unit consisting of:

- * 1 main unit video or film (203-01-01 or 201-01-01)
- * 1 handwheel removeable with integrated fluid mechanism (201-03)
- * 1 focus lever (201-18)
- * 1 scale (201-04)

Focus marks on video lenses have a rotating angle of approx. 110 - 144° on lens. Video Studio Rig (203-01 or 203-01S) spreads this angle to approx. 2 - 2.5 times on handwheel.

To complete your studio rig, please order suitable focus drive according to your lens, see page 27!



Chrosziel Pricelist 09/2003

Video Section



Chrosziel
FILM & VIDEO

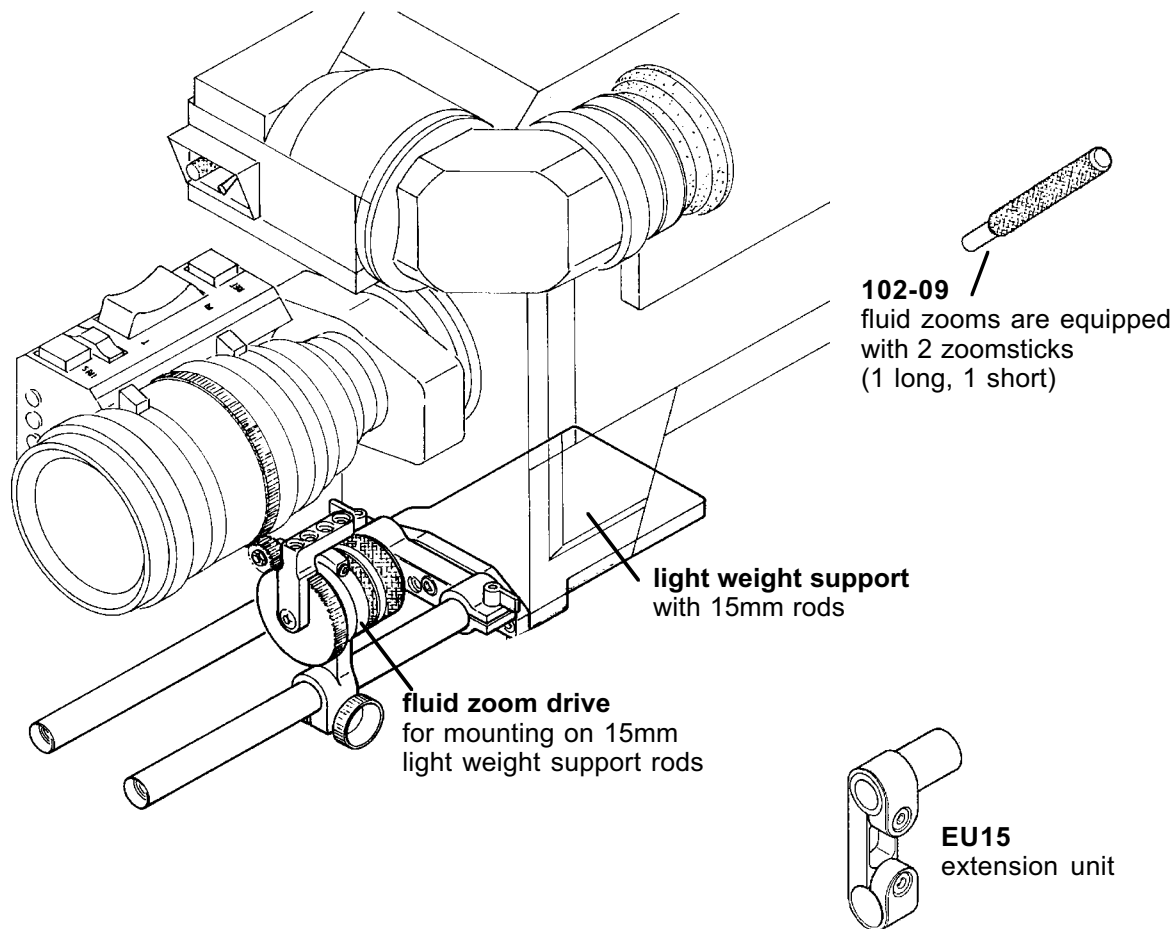
Studio rig - follow focus system

Part no.	Description	Price in EURO
Studio rig Video or Film		
203-01	Studio rig VIDEO, basic unit Additional use of second handwheel on right side possible please order separately 2nd handwheel 201-02!	1.564,00
203-01S	Studio rig VIDEO - economy version for handwheel-use on one side only!	1.228,00
201-01	Studio rig FILM, basic unit Additional use of second handwheel on right side possible please order separately 2nd handwheel 201-02!	1.564,00
201-01S	Studio rig FILM - economy version for handwheel-use on one side only!	1.228,00
Focus drive for studio rig VIDEO		
202-16	Focus drive for Angenieux, Canon ENG - mod 0.5 (Ø28.45mm - B8.0mm) - teeth 55	64,00
201-10	Focus drive for Fujinon ENG - mod 0.6 (Ø32.50mm - B8.0mm) - teeth 52	64,00
201-23	Focus drive for Canon, Fujinon cine style HD & ENG - mod 0.8 (Ø46.30mm - B8.00mm) - teeth 56	64,00
201-22	Focus drive for Zeiss, Canon, Fujinon video prime lens - mod 0.8 (Ø36.80mm - B8.00mm) - teeth 44	64,00
202-17	Focus drive for Fujinon ENG - mod 0.6 (for old video studio rig 202-01) (Ø38.30mm - B8.00mm) - teeth 62	64,00
Focus drive for studio rig FILM		
201-16	Focus drive for Angenieux, Canon, Schneider ENG - mod 0.5 (Ø35.00mm - B8.00mm) - teeth 68	64,00
201-17	Focus drive for Fujinon, Nikon ENG - mod 0.6 (Ø28.70mm - B8.00mm) - teeth 46	64,00
201-21	Focus drive for Canon 20x8 ENG - mod 0.5 (Ø35.00mm - B8.00mm) - teeth 68	64,00
201-12	Focus drive for Canon & Fujinon cine style HD & ENG and Zeiss, Canon, Fujinon video prime lens - mod 0.8 mod 0.8 (Ø25.60mm - B8.00) - teeth 30	64,00
Accessories and spares		
201-02	Handwheel, incl. 1 scale for second side	368,00
201-07	Extension for handwheel, in combination with long viewfinder	574,00
201-30	Extension for handwheel, lateral straight	184,00
201-31	Flexible shaft - external focus control, length 330mm	78,00
201-32	Flexible shaft - external focus control, length 450mm	92,00
201-33	Flexible shaft - external focus control, length 1000mm	108,00
201-04	Scale for handwheel studio rig	22,00
201-18	Focus lever, length 100mm - as spare	42,00
201-03	Handwheel fluid, incl. 1 scale - as spare	696,00

Fluid zoom drive



Chrosziel
FILM & VIDEO



Part no.	Description	Price in EURO
102-15	Fluid zoom drive for Canon, Angenieux, Nikon lenses - mod 0.5	640,00
102-16	Fluid zoom drive for Fujinon lenses - mod 0.6	640,00
102-11	Fluid zoom drive for Angenieux cine style lenes - mod 0.8	742,00
102-13	Fluid zoom drive for Canon, Fujinon cine style lenses - mod 0.8	640,00
Accessories, spares		
EU15	Extension unit Ø 15mm to 15mm, with short 15mm rod	64,00
EU19	Extension unit Ø 19mm to 15mm, with short 15mm rod	64,00
102-09	Zoom stick, short - as spare	16,00
102-18	Zoom stick, long - as spare	16,00



Viewfinder Systems

(page 30 - 32)

ACVF optical viewfinder system can be used with Sony monitor HDVF-C30W which works with Sony cameras HDW-F900, HDW-750.

Abakus viewfinder extension can be used with different cameras when using suitable adaptors.

ACVF Optical Viewfinder System for HDTV

530-01 ACVF optical viewfinder system for HDTV

ACVF system gives a larger and brighter image. To use with Sony color monitor model HDVF-C30W which works with Sony cameras HDW-F900, HDW-750.

The system provides a new larger eyepiece unit (1.6 times larger than Sony). Connected to Sony monitor unit by existing Bayonet mount (eyepiece adjustment 18mm, eye relieve 30m). It replaces Sony mirror housing, incl. eyepiece.

ACVF viewfinder system can be mounted on left and right side of camera. It can be used as an extension viewfinder also. Viewfinder system rotates 360°. When using extension viewfinder, a telescopic levelling arm is needed (ARRI-LE), also an extended viewfinder cable is required (520-cable).

Picture shows:

ACVF Viewfinder system mounted for left side operation



Technical details and price for Sony color monitor HDVF-C30W, please inquire!

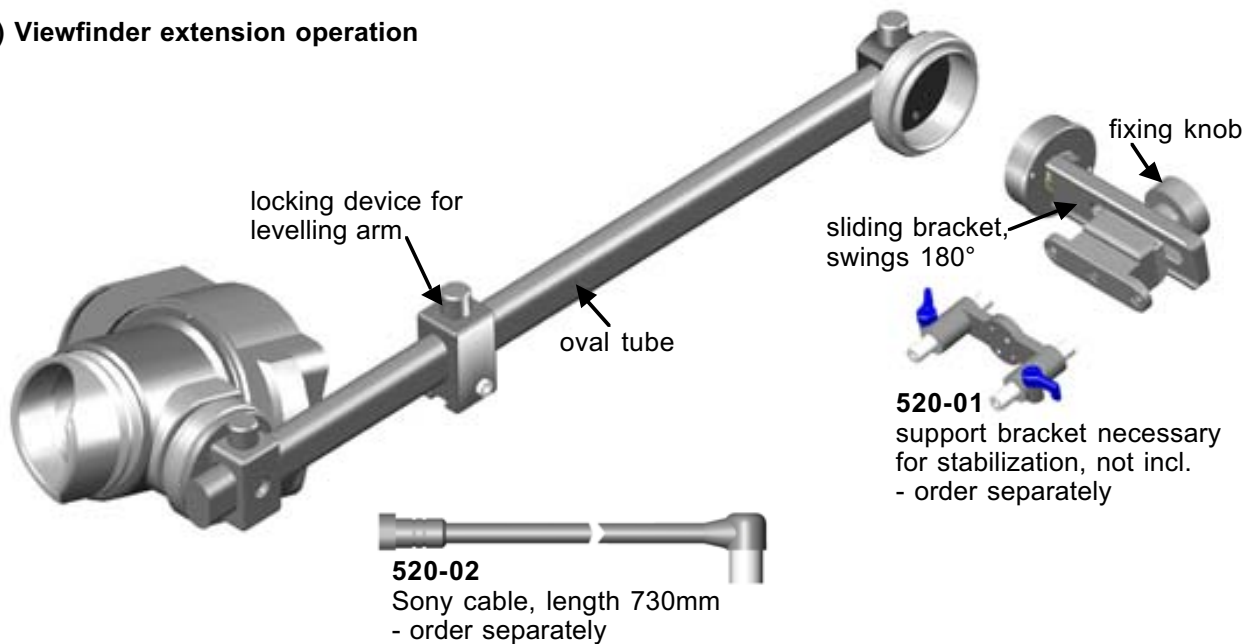
For special support bracket with Thomson Viper camera, please inquire!

ACVF Optical Viewfinder System for HDTV

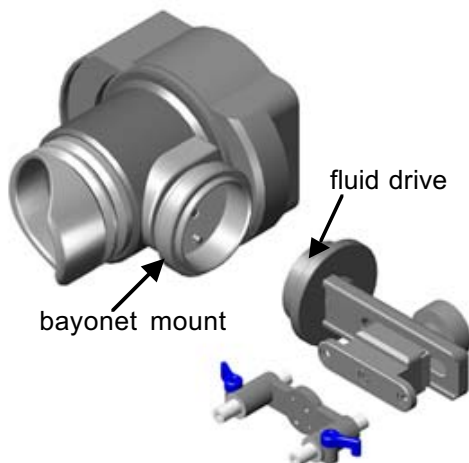
ACVF optical viewfinder system, consisting of:

- * viewfinder eyepiece unit with bayonet mount
- * sliding bracket, swings 180° (can be used for left and right side)
- * separate bracket for right side mounting
- * viewfinder extension unit, complete with oval tube and locking device for telescopic levelling arm (ARRI-LE)

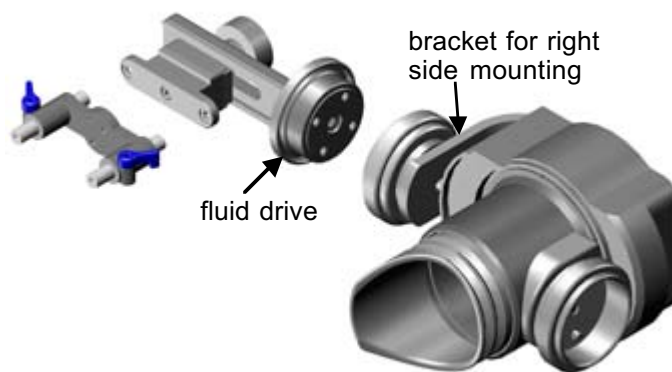
1) Viewfinder extension operation



2) Left side operation



3) Right side operation



Part no.	Description	Price in EURO
530-01	AC Optical viewfinder system for HDTV for use with Sony monitor HDVF-C30W	3.200,00
Accessories		
520-01	Support bracket for viewfinder on Sony cameras	186,00
520-02	Sony extension cable, length 730mm	on request
ARRI-LE	Telescopic levelling arm attachment for viewfinder extension (levelling arm for use with Sachtler tripods)	on request

Abakus products and accessories

Abakus viewfinder extension - ABAVF

Abakus viewfinder is designed for viewing the scene in "film style" from behind the camera. Viewfinder extension Abakus has been developed for use with Sony DVW700 or Ikegami cameras for BTS on request. This viewfinder extension from Abakus gives a much brighter image than previous models available on market. The modular system with exchangeable adaptors allows use on Sony, Ikegami and BTS cameras. An adjustable eyepiece is already integrated. To anchor the viewfinder a telescopic arm attached to the tripod head is required.



Abakus Stadium lens - ABA-ST

Abakus high definition stadium lens is a fast (f1.8) lens which enables ultra-wide vision shots. The angle of view is greater than 180°, the diagonal angle being a full 210° making it possible to include a huge arc of vision on a single shot. With this type of lens, technically known as an FO (F-theta) lens, distortion in any sector of the shot is minimal. When viewing a curved scene, such as inside an arena, curvature is minimal even at the edges. This makes it the ideal lens for many different types of shots at events such as pop concerts, soccer, american football, tennis, baseball and theme parks.



Part no.	Description	Price in EURO
ABAVF	Abakus viewfinder extension (EP 265)	3.480,00
ABA-ST	Abakus stadium lens HD-B4 "Stadium 210°" wide angle lens	14.730,00

Please note: Abakus is a non Chrosziel product - prices are strictly net.

Accessories

ABAP	Adaptor for use with Panasonic cameras, incl. clamping bracket	512,00
ABAI	Adaptor for use with Ikegami cameras, incl. clamping bracket	512,00
ABAS	Adaptor for use with Sony cameras, incl. clamping bracket	512,00
ABAB	Adaptor for use with BTS cameras, incl. clamping bracket	972,00
ARRI-LE	Telescopic levelling arm attachment for viewfinder extension (levelling arm for use with Sachtler tripods)	on request

Chrosziel Pricelist 09/2003

Video Section



Chrosziel
FILM & VIDEO

Lens diameters Video lenses

Fujinon 2/3"	External Ø	Fujinon 1/2"	External Ø	Fujinon HDTV	External Ø
A8.5x5.5	100 mm	S8.5x4.2	100 mm	HAe3x5 B-10*	128 mm
A10x4.8	95 mm	S10x3.5	95 mm	HA5x6 B-10*	128 mm
A10x4.8 B-M0*	95 mm	S12x5	85 mm	HA10x5	85 mm
A12x6.8	100 mm	S13x4.6	85 mm	HA10x5 B-10*	85 mm
A13x4.5	95 mm	S14x6.2	100 mm	HA10x5.2	95 mm
A13x6.3	85 mm	S14x6.4	80 mm	HAe10x10 B-10*	128 mm
A14x8	100 mm	S14x6.6	80 mm	HA12x9.5 B-10*	156 mm
A14x8.5	80 mm	S14x7.3	65 mm	HA13x4.5	95 mm
A14x9	80 mm	S15x6.1	85 mm	HA13x4.5 B-10*	95 mm
A15x8	85 mm	S16x6.7	80 mm	HAc15x7.3 B-10*	110 mm
A16x9	80 mm	S16x7	80 mm	HA15x8	100 mm
A16x9.5	80 mm	S17x6.6	85 mm	HA14x8	96 mm
A17x9	85 mm	S18x6.4	100 mm	HA17x7.8	85 mm
A17x7.8	85 mm	S18x6.6	100 mm	HA17x7.8 B-10*	85 mm
A19x8.7	85 mm	S19x6.5	85 mm	HA20x7.5	110 mm
A18x8.5	90 mm	S20x6.4	85 mm	HA20x7.8	110 mm
A20x8	100 mm	S22x5.8	100 mm	HA20x7.8 B-10*	110 mm
A20x8.6	85 mm			HA22x7.3	110 mm
A22x7.8	100 mm			HA22x7.8	100 mm
A22x12.5	110 mm			HA36x10.5	130 mm
A24x11.5	110 mm			HA42x9.7	130 mm
A24x16.5	110 mm			HA 5mm-Prime	(old 120mm) 95 mm
A36x10.5	130 mm			HA 8mm-Prime	95 mm
A36x14.5	130 mm			HA12mm-Prime	95 mm
				HA16mm-Prime	95 mm
				HA20mm-Prime	95 mm
				HA34mm-Prime	95 mm
				HA40mm-Prime	95 mm
				HA40mm-PrimeB-M10*	95 mm
				HA54mm-Prime	95 mm
				HA54mm-PrimeB-M10*	95 mm

Canon 2/3"	External Ø	Canon 1/2"	External Ø	Canon HDTV	External Ø
J8x6	95 mm	PH13ax7	80 mm	HJ9x5.5	86 mm
J9ax5.2	86 mm	YH12x4.8	86 mm	HJ9x5.5 KLL-SC*	86 mm
J9ax5.2 KLL-SC*	95 mm	YH13x7.5	85 mm	HJ11x4.7	95 mm
J11x4.5	95 mm	PH14ax6.6	85 mm	HJ11x4.7 KLL-SC*	95 mm
YJ12x6.5	86 mm	H15ax6	85 mm	HJ15x8	98 mm
J13ax9	80 mm	PH15x7 Typ I	80 mm	HJ16x8	85 mm
J14x8	85 mm	PH15x7 Typ II	85 mm	HJ18x7.8	105 mm
J15ax8	85 mm	YH17x7	85 mm	HJ18x7.8 KLL-SC *	105 mm
J15x9.5	80 mm	YH18x6.7	85 mm	HJ20x8	98 mm
J16ax8	85 mm	PH18x6.2	90 mm	HJ21x7.5	117 mm
J17ax7.7	85 mm	YH19x6.7	85 mm	HJ21x7.5 KLL-SC*	130 mm
YJ17x9.5	85 mm	H20ax6	98 mm	HJ21x7.8	98 mm
J18x8.5	90 mm	H21ax5.8	98 mm	HJ40x10	132 mm
YJ18x9	85 mm			HJ40x14	132 mm
YJ19x9	85 mm			FJ5mm Prime	120 mm
J20ax8	98 mm			FJ9mm Prime	80 mm
J21ax7.8	98 mm			FJ14mm Prime	80 mm
J33ax11	130 mm			FJ24mm Prime	80 mm
J33ax15	130 mm			FJ35mm Prime	80 mm

Angeniéux 2/3"	External Ø	Angeniéux HDTV	External Ø
15x8.3	85 mm	10x5.3	92 mm
14x9	92 mm	11.5x5.3*	100 mm
12x5.3	92 mm	12x9.7	162 mm
26x7.8	103 mm		

Zeiss HDTV	External Ø
5-70 mm Digi Primes	95 mm

Cooke HDTV	External Ø
8-46mm Zoom	150 mm

Please note:

* lenses are cine style versions, mod 0.8

DV Section



DV accessories

(page 35 - 42)

consisting of:

Sunshades 4x4 and 3x3

Mattebox 4x4

Light weight support

Studio rig - follow focus system

Fluid zoom drive

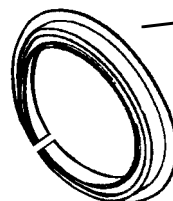
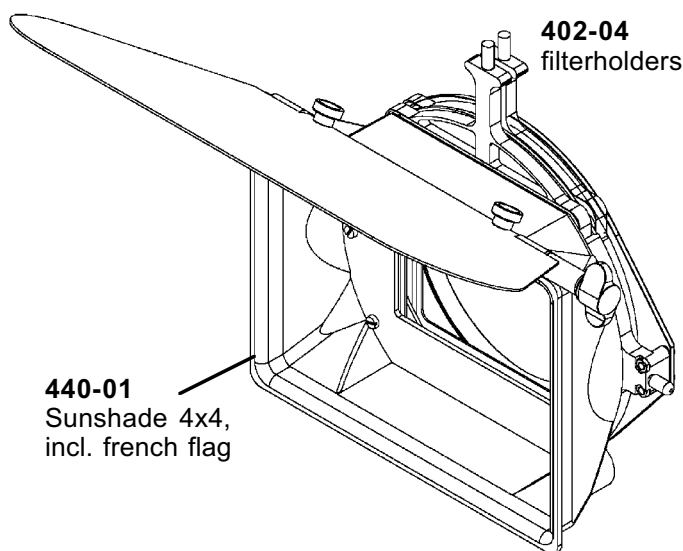
Lens diameters



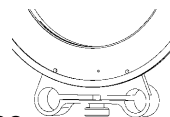
DV-Sunshades for 4x4 filters

DV-Sunshade 4x4, basic unit (440-01) consisting of:

- * housing, incl. french flag - special light weight 368g
- * filterstage for two filterholders 4x4 (1 fixed, 1 rotating)
- * 2 filterholders 4x4 (402-04)
- * clamp adaptor Ø 104mm



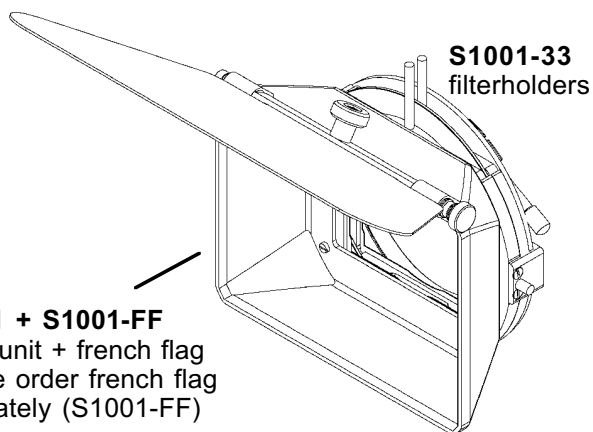
order separately -
step-down rings according
to lens diameter.
Or 411-23 (Ø104: 85mm)
and suitable adaptor
from 3x3 system according
to lens diameter.



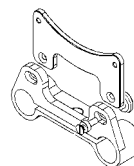
420-02
center bracket

DV-Sunshade 3x3, basic unit (S1001) consisting of:

- * housing (without french flag)
- * filterstage for 2 filterholders 3x3 (1 fixed, 1 rotating)
- * 2 filterholders 3x3 (S1001-33)
- * clamp adaptor Ø 85mm



step-down rings resp.
adaptors, please order
according to lens
diameter



S1001-CB-01
center bracket to mount
sunshade on light weight
support, order separately

Chrosziel Pricelist 09/2003

DV Section



Chrosziel
FILM & VIDEO

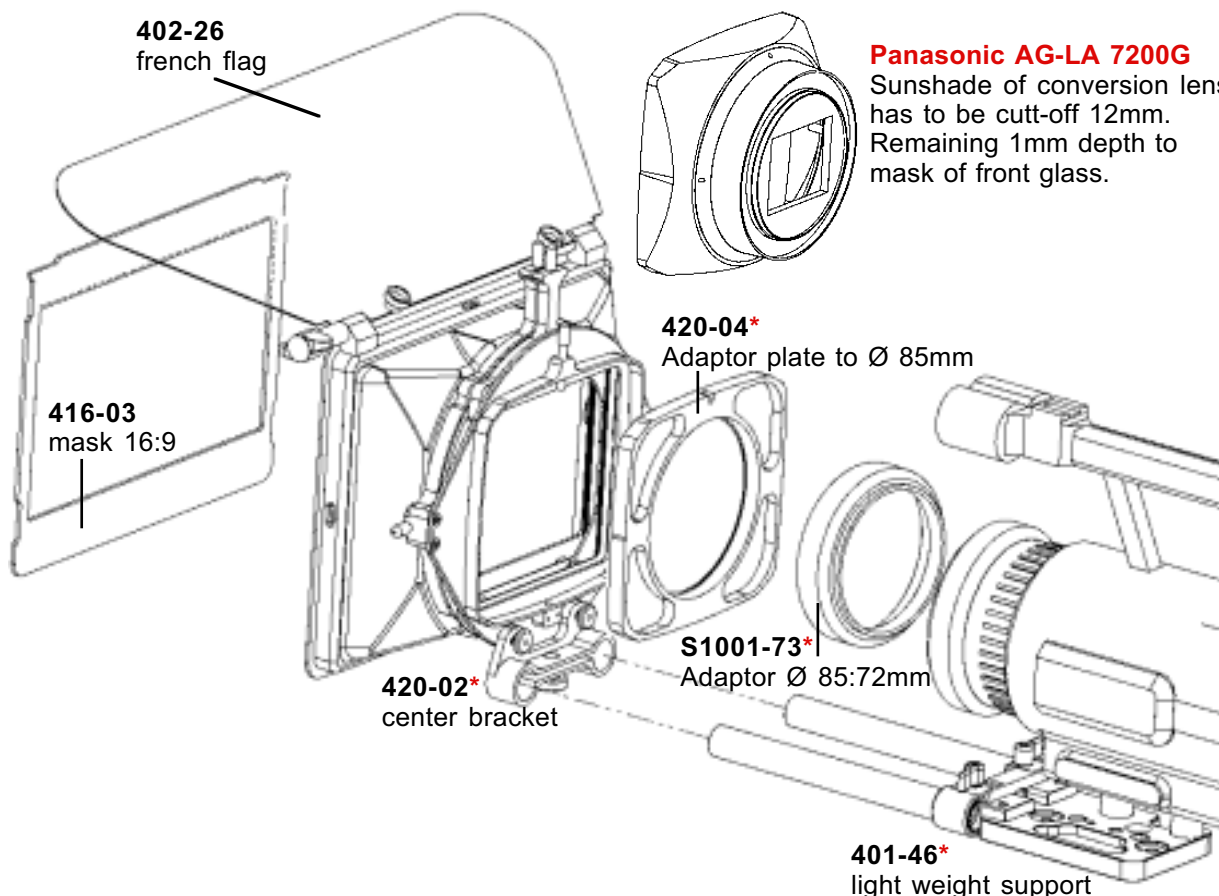
DV-Sunshades for 4x4 or 3x3 filters

Part no.	Description	Price in EURO
DV-Sunshade 4x4		
440-01	DV-Sunshade - basic unit	498,00
420-02	Center bracket to use Sunshade with light weight support	94,00
402-28	French flag for DV-Sunshade 440-01 - as spare	32,00
402-04	Filterholder 4x4	128,00
402-03	Filterholder 3x4, vertical	128,00
DV-Sunshade 3x3		
S1001	Sunshade 3x3 - basic unit	328,00
S1001-CB	Sunshade 3x3 - basic unit, incl. center bracket	428,00
S1001-FF	French flag, incl. pivot rod for Sunshade S1001 or S1001-CB	100,00
S1001-FF-01	French flag for DV-Sunshade 3x3 - as spare	32,00
S1001-FF-02	Pivot rod for french flag 3x3, incl. screws and shims - as spare	70,00
S1001-CB-01	Center bracket for use DV-Sunshade 3x3 on light weight support -retrofit	115,00
S1001-33	Filterholder 3x3	36,00
S1001-34	Filterholder 3x4	44,00
Accessories for DV-Sunshade 4x4 (440-01) and DV-Sunshade 3x3 (S1001)		
S1001-01S	Adaptor Ø 75.5:52mm	22,00
S1001-HP	Reducing ring Heliopan Ø 58:52mm	18,00
S1001-HP3	Reducing ring Heliopan Ø 58:37mm	18,00
S1001-HP1	Reducing ring Heliopan Ø 52:58mm	18,00
S1001-58A	Adaptor Ø 85:58mm (funnel shape)	22,00
S1001-58SR	Adaptor Ø 85:58mm (short ring)	22,00
S1001-62	Step-down ring Ø 85:62.5mm	10,00
S1001-65	Insert ring Ø 85:65mm (to use with light weight support)	26,00
S1001-85	Adaptor Ø 85:72mm - Canon	14,00
S1001-72	Adaptor Ø 85:72mm for 3x3 Sunshade (S1001) - Panasonic	14,00
S1001-73	Adaptor Ø 85:72mm for 4x4 Sunshade (440-01) - Panasonic	14,00
S1001-75C	Step-down ring Ø 85:75mm	10,00
S1001-75	Step-down ring Ø 85:75.5mm	10,00
S1001-79	Step-down ring Ø 85:79mm	10,00
S1001-79,5	Step-down ring Ø 85:79.5mm	10,00
S1001-80	Step-down ring Ø 85:80mm	10,00
411-36	Step-down ring Ø 104mm to 65mm	44,00
411-32	Step-down ring Ø 104mm to 75mm	44,00
411-21	Step-down ring Ø 104mm to 80mm	44,00
411-22	Step-down ring Ø 104mm to 83mm	44,00
411-23	Step-down ring Ø 104mm to 85mm (add suitable adaptor S1001-...)	44,00
411-24	Step-down ring Ø 104mm to 86mm	44,00
411-25	Step-down ring Ø 104mm to 87mm	44,00
411-26	Step-down ring Ø 104mm to 90mm	44,00
411-16	Step-down ring Ø 104mm to 92mm	44,00
411-27	Step-down ring Ø 104mm to 94mm (for Sony wideangle converter Ø93mm)	44,00
411-28	Step-down ring Ø 104mm to 95mm	44,00
411-29	Step-down ring Ø 104mm to 98mm	44,00
411-30	Step-down ring Ø 104mm to 100mm	44,00

Mattebox for Panasonic AG DVX-100

DV-Mattebox 4x4, basic unit (411-53P) consisting of:

- * housing covers 16:9/4:3, incl. french flag (402-26) and mask 16:9 (416-03)
- * filterstage for two filterholders 4x4 (1 fixed, 1 rotating)
- * 2 filterholders 4x4 (402-04)
- * rear plate for fitting of adaptor plates or Panasonic conversion lens AG-LA 7200G



Please note: DV-Mattebox 411-53P has to be mounted on light weight support.
Please order separately center bracket 420-02 for mounting on lws.
Optional use of side wings possible.

*** Marked items are not included in basic unit, please order separately!**

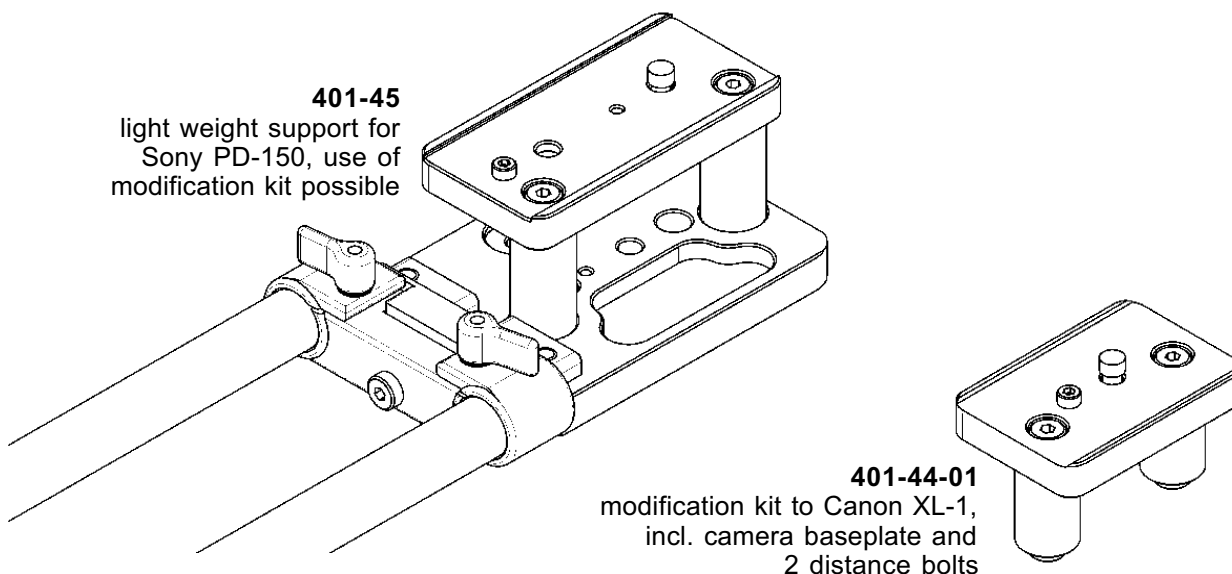
Part no.	Description	Price in EURO
411-53P	DV-Mattebox 4x4 - basic unit	698,00
Accessories		
420-04	Adaptor plate to Ø 85mm	64,00
S1001-73	Adaptor Ø 85:72mm for Leica standard lens 4.5 - 45mm	14,00
420-02	Center Bracket for use Mattebox on light weight support	94,00
401-46	Light weight support Panasonic DVX-100 (modification see page 39)	256,00
420-05	Adaptor plate to Ø 95mm	64,00
420-06	Adaptor plate to Ø 105mm	64,00
410-10PM	Set of side wings, incl. pivot mechanism	372,00
410-10-01	Mounting blocks for side wings, set of 4 units	60,00

Light weight supports

DV-Sunshades are designed to clamp onto lens directly.

For stabilization and use of further accessories, e.g. Studio rig we offer center bracket (420-02 and S1001-CB-01) to mount onto light weight support.

All light weight supports are equipped with 15mm rods (length 205mm) - set of 2!



Part no.	Description	Price in EURO
Light weight supports for DV cameras		
401-50	Light weight support Sony Universal	256,00
401-68	Light weight support JVC GY-DV 500, GY-DV550, GY-DV-5000	256,00
401-69	Light weight support JVC GY-DV 700	256,00
401-65	Light weight support JVC GY-DV 300	on request
401-44	Light weight support Canon XL-1, use of modification kit possible	256,00
401-45	Light weight support Sony PD150, use of modification kit possible	256,00
401-46	Light weight support Panasonic DVX-100, use of modification kit possible	256,00
401-44-01	Modification kit to Canon XL-1: baseplate and 2 distance bolts	92,00
401-45-01	Modification kit to Sony DP150: baseplate and 2 distance bolts	92,00
401-46-01	Modification kit to Panasonic DVX-100: baseplate and 2 distance bolts	92,00
Accessories and spares		
401-14	Extension rods 50mm for light weight support rods (set of 2)	26,00
401-83	Extension rods 100mm for light weight support rods (set of 2)	26,00
401-70	U-clamp for light weight support rods	42,00
401-01-04	Rod for light weight support, 205mm	34,00
401-01-04A	Rod for light weight support, 205mm with free cut	44,00
401-01-06	Rod for light weight support with individual length	34,00

DV Studio rig - follow focus system

DV-Studio rig basic unit consisting of:

- * 1 main unit, incl. handwheel
- * 1 scale (205-02)

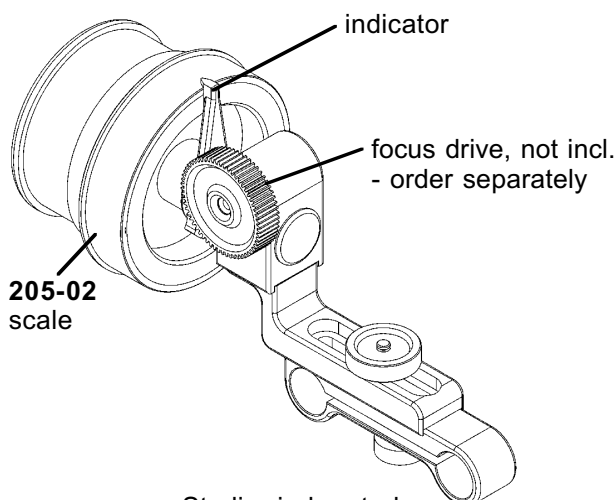
DV Studio rig (206-01S) is designed as one complete unit with fixed handwheel. For one side operation only!

Especially designed for DV cameras - small and light weight.
DV-Studio rig can be used for lenses equipped with gear ring!

Focus drives of 203-01 and 201-01 studio rigs do NOT fit to DV Studio Rig 206-01S!
To complete your DV Studio rig, please order below listed focus drive according to modul of lens.

Drawing shows:

- * basic unit 206-01S
- * focus drive



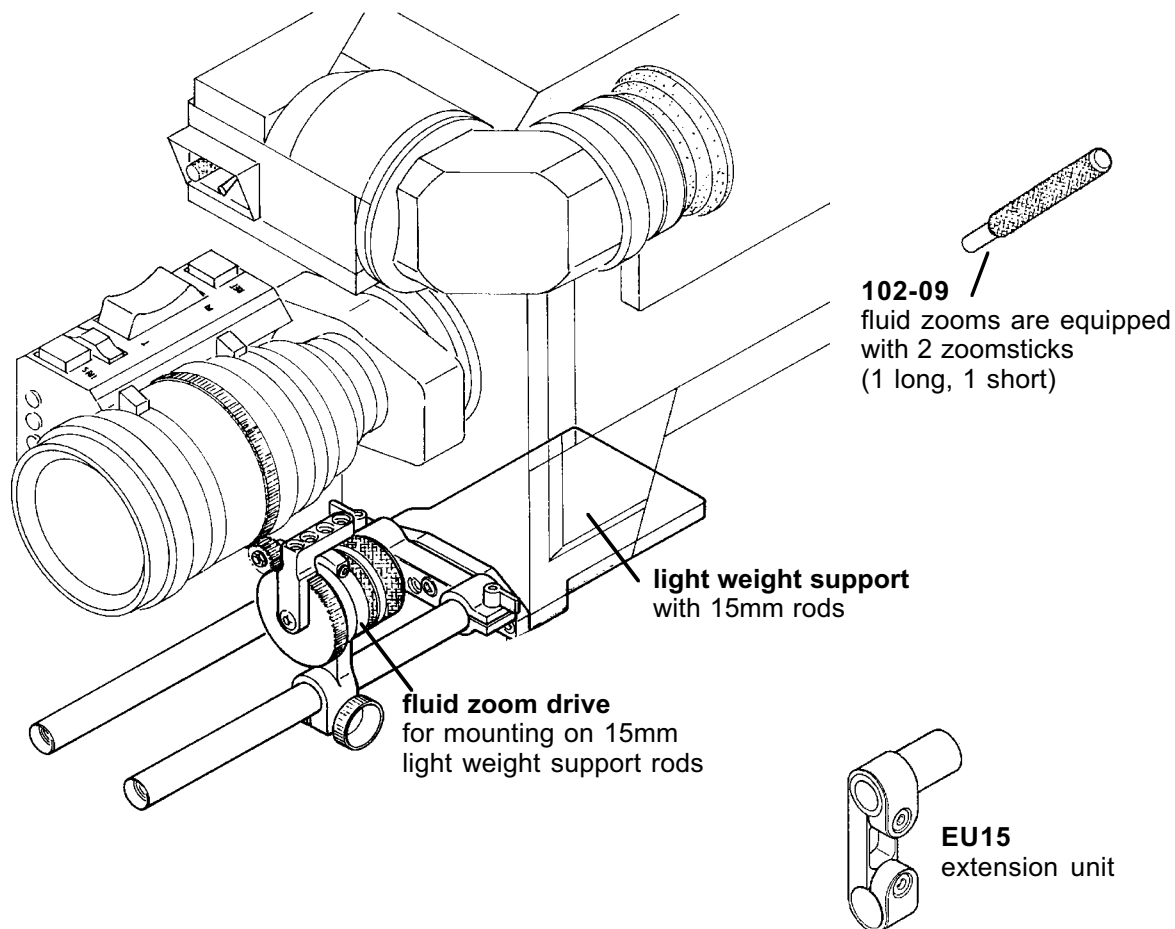
Studio rig has to be mounted on 15mm light weight support rods, see page 39

Part no.	Description	Price in EURO
206-01S	DV Studio Rig - follow focus system, basic unit - patent pending for handwheel-use on one side operation only!	998,00
Accessories and spares		
206-10	Focus drive for Canon, Angenieux - mod 0.5	68,00
206-11	Focus drive for Fujinon lenses - mod 0.6	68,00
206-12	Focus drive for Leica and Canon, Fujinon cine style lenses - mod 0.8	68,00
206-20	Gear ring for Leica 4.5 - 45mm on Panasonic DVX-100 - mod 0.8	98,00
201-31	Flexible shaft - external focus control, length 330mm	78,00
201-32	Flexible shaft - external focus control, length 450mm	92,00
201-33	Flexible shaft - external focus control, length 1000mm	108,00
205-02	Scale for DV Studio Rig - as spare	12,00

Fluid zoom drive

Fluid zoom drive can be used for lenses equipped with gear ring!

Fluid zoom drive has to be ordered according to modul of lens.



Part no.	Description	Price in EURO
102-15	Fluid zoom drive for Canon, Angenieux, Nikon lenses - mod 0.5	640,00
102-16	Fluid zoom drive for Fujinon lenses - mod 0.6	640,00
102-13	Fluid zoom drive for Canon, Fujinon cine style lenses - mod 0.8	640,00
Accessories, spares		
EU15	Extension unit Ø 15mm to 15mm, with short 15mm rod	64,00
EU19	Extension unit Ø 19mm to 15mm, with short 15mm rod	64,00
102-09	Zoom stick, short - as spare	16,00
102-18	Zoom stick, long - as spare	16,00

Chrosziel Pricelist 09/2003

DV Section



Chrosziel
FILM & VIDEO

Lens diameters DV cameras resp. lenses

Canon Filter thread Ø

Canon XL-1	72 mm
Canon XM-1	58 mm
Canon XM-2	58 mm

Sony Filter thread Ø

Sony PD-100	52 mm
Sony PD-150	58 mm
Sony PD-X10	37 mm
Sony 10P	37 mm
Sony TRV-900	52 mm
Sony TRV-950	37 mm
Sony VX-1000	52 mm
Sony VX-9000	52 mm
Sony VX-2000	58 mm
Sony DSR-200	52 mm
Sony DSR-250	58 mm
Sony DSR-390 (lens Canon YJ19x6.7)	85 mm (external Ø)
Sony wide angle converter VCL-HG 0737	37 mm
Sony wide angle converter VCL-HG 0758 (use step-down ring 411-27 Ø 104:94mm)	93 mm (external Ø)

Panasonic Filter thread Ø

Panasonic DVX-100 (lens Leica 4.5 - 45mm)	72 mm
Panasonic AG-EZ1	52 mm
Panasonic NV-DX1E	52 mm
Panasonic conversion lens AG-LA7200G (use Mattebox 411-53P)	rectangular

JVC Filter thread Ø

JVC GY-DV300 (lens 14x5.6)	52 mm
----------------------------	-------

Century converter External Ø

Century DS65CV-00	75 mm
Century DS65CV-58	75 mm
Century DS65CV-SB	80 mm

FILM Section



(page 43 - 59)

consisting of:

Mattebox

Sunshade

Fluid zoom drive

Studio rig - follow focus system

Lens diameters Film lenses

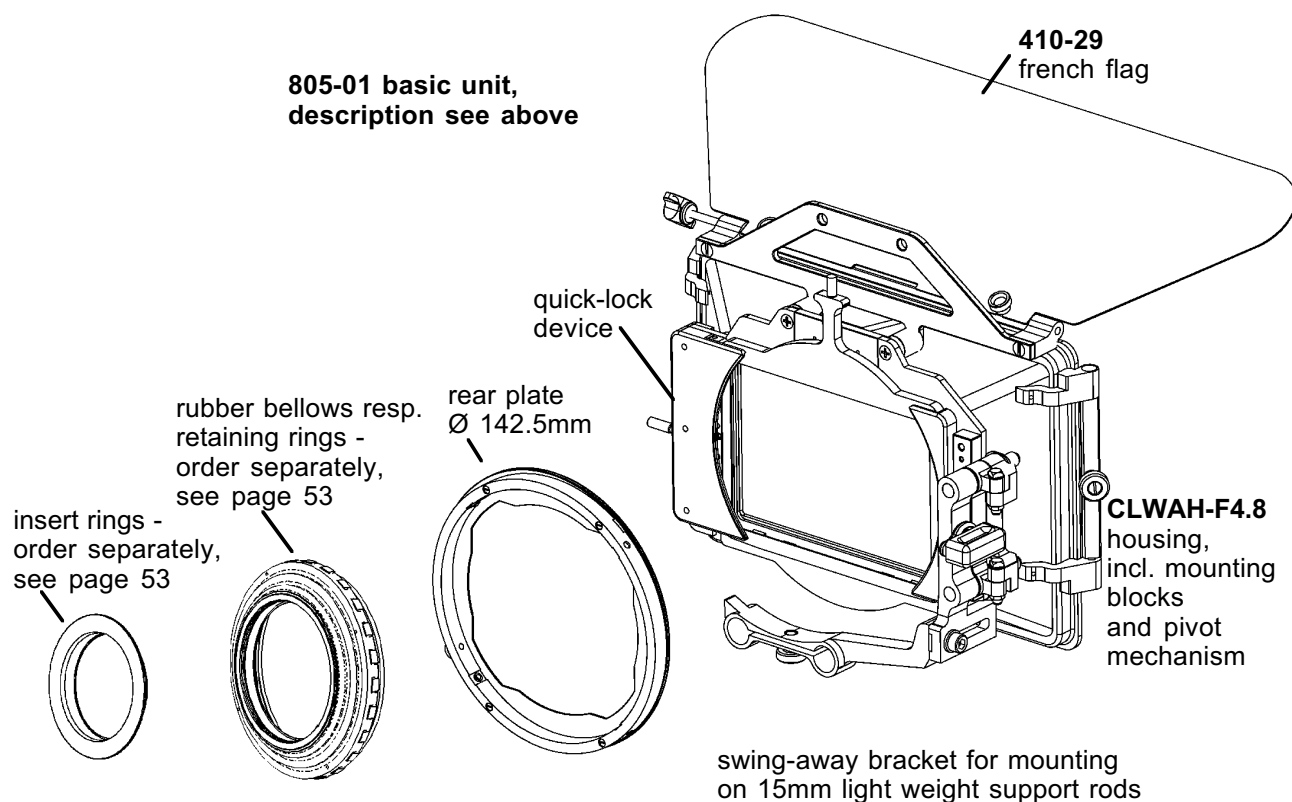


Mattebox with interchangeable filterstages

Wide angle Studio Mattebox for format Super 16 - 1.66:1 - 1.78:1 - 1.85:1

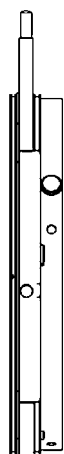
Basic unit (805-01) consisting of:

- * wide angle housing (CLWAH-F4.8), incl. french flag (410-29)
incl. mounting blocks and pivot mechanism (for use of side wings, order separately)
- * swing-away bracket for mounting on 15mm light weight support rods
- * quick-lock device to add resp. exchange different filterstages
- * 1st filterstage for one filterholder for sliding up and down (non rotating)
filterholder 4x4/**4x5.650** (410-31) is included
- * rear plate Ø 142.5mm (415-01-02) for use with different retaining rings



Different filterstages to add on swing-away mattebox (for non geared filterholders):

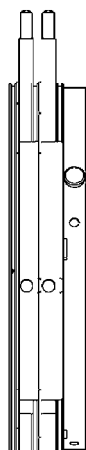
All filterstages are also available with 1 geared filtertray (drawing see page 2)!



820-01 filterstage:

with rear plate
Ø 142.5mm, FH not incl.,
see page 55

When using this filterstage,
with wide angle lens,
please add filterholder
5x5/4x5.650 (510-01).
Use 5x5 filters, others may
cause vignetting.



820-02 filterstage:

with rear plate
Ø 142.5mm, FH not incl.,
see page 55

Filterholders
4x4/**4x5.650** (410-31)
are recommended, but
you can also choose
others.

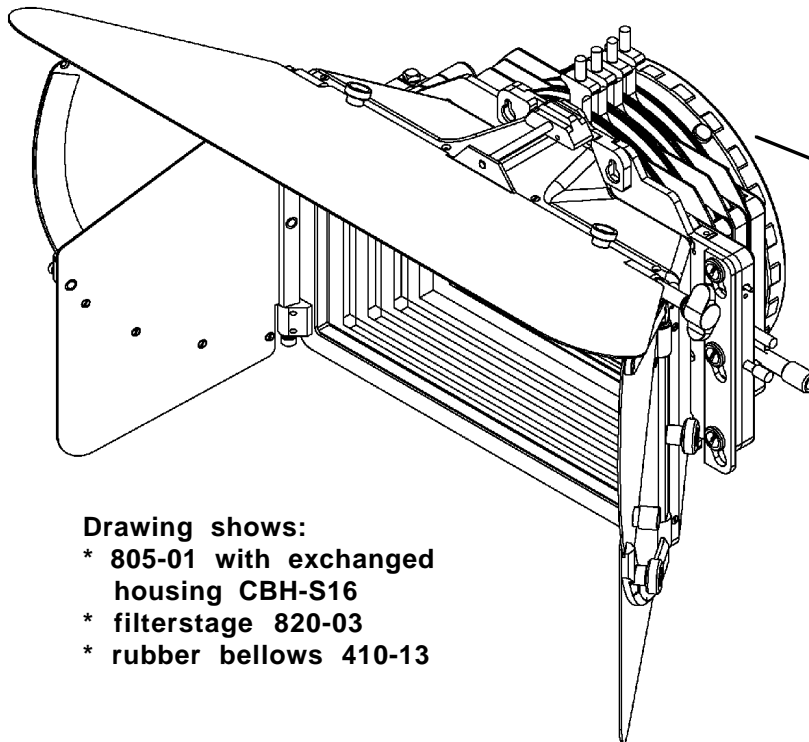


820-03 filterstage:

with rear plate
Ø 142.5mm, FH not incl.,
see page 55

Filterholders
4x4/**4x5.650** (410-31)
are recommended, but
you can also choose
others.

Mattebox with interchangeable filterstages



Drawing shows:

- * 805-01 with exchanged housing CBH-S16
- * filterstage 820-03
- * rubber bellows 410-13

Part no.	Description	Price in EURO
805-01	Mattebox to interchange filterstages, basic unit	1.790,00
820-01	Filterstage for total 2 FH, incl. rear plate - FH not incl.	134,00
820-02	Filterstage for total 3 FH, incl. rear plate - FH not incl.	246,00
820-03	Filterstage for total 4 FH, incl. rear plate - FH not incl.	358,00
820-06	Filterstage for total 2 FH, filtertray for geared filterholder - FH not incl.	160,00
820-07	Filterstage for total 3 FH, last filtertray for geared filterholder - FH not incl.	272,00
820-08	Filterstage for total 4 FH, last filtertray for geared filterholder - FH not incl.	384,00
Accessories, spares		
801-01	Filterstage of Mattebox 805-01(basic unit, without housing)	1.452,00
410-MA43	Set of masks for 4:3 (5 units)	124,00
410-MA169	Set of masks for 16:9 (5 units)	124,00
410-10	Set of side wings	308,00
410-PM	Pivot mechanism for use of side wings, set of 2 units - as spare	64,00
415-01-02	Rear plate Ø 142,5mm - as spare	64,00
610-20	Flexible shaft for geared filterholders	164,00

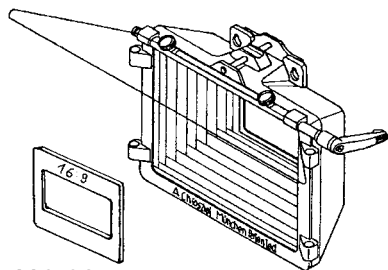
Please note: Different housings can be used (e.g. CBH-S16), please order additional housing separately (see page 46). Attention, above focal length indications may not be valid when using another housing!

*Rubber bellows, retaining rings, insert rings see page 53
Filterholders see page 55*



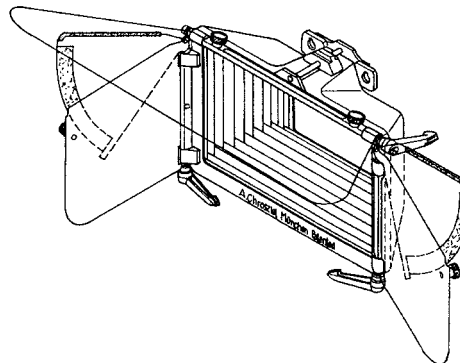
Compact Mattebox Standard for 2 filters

Please choose one of the following housings and add filterstage CF-MB/ST:

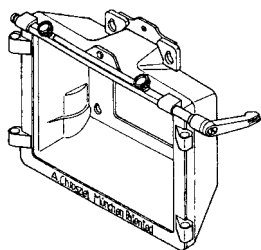


416-02,
order separately

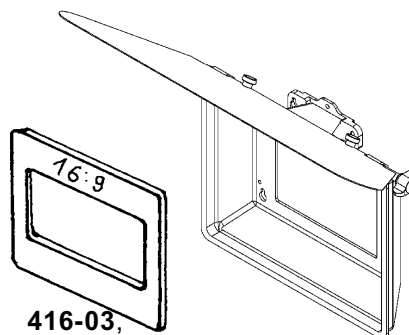
CBH-43
compact bellows housing 4:3
with quick-release mask also 16:9
(mask 416-02 not incl., order separately)
incl. french flag
optional use of side wings
focal length up to **8mm**



CBH-S16
compact bellows housing
S16/16:9 studio version
incl. french flag and side wings
focal length up to **8mm**

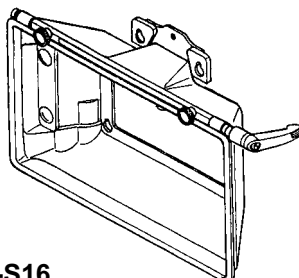


CWAH-43
compact wide angle housing 4:3
incl. french flag
optional use of side wings
focal length up to **7mm**



416-03,
mask incl.

CWAH-1FH
compact wide angle housing 16:9/4:3
incl. french flag and mask for 16:9 (416-03)
optional use of side wings
focal length up to **5.5mm**



CWAH-S16
compact wide angle housing Super 16
incl. french flag
optional use of side wings
focal length up to **5.5mm**



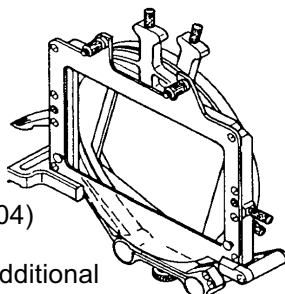
Compact Mattebox Standard for 2 filters

To complete mattebox add filterstage CF-MB/ST:

CF-MB/ST

filterholder compartment incl.:

- 1 fixed filterholder
comb. 4x4/4x5.650 (410-31)
- 1 rotating filterholder 4x4 (402-04)
- 1 rubber bellows retaining ring
Ø 100mm (410-13) - use of additional
round filter Ø 138mm possible,
but not for wide angle lenses
*horizontal position of mattebox adjustable
± 3mm on light weight support*



410-13
rubber bellows
retaining ring incl.



insert ring,
order separately,
see page 53

Mattebox for 15mm rods of
light weight support rods

Part no.	Description	Price in EURO
Compact housings		
CBH-43	Compact bellows housing 4:3, incl. french flag	432,00
CBH-S16	Compact bellows housing S16/16:9, incl. french flag and side wings	1.052,00
CWAH-43	Compact wide angle housing 4:3, incl french flag	216,00
CWAH-1FH	Compact wide angle housing 4:3 and 16:9, incl. french flag and mask	226,00
CWAH-S16	Compact wide angle housing Super 16, incl. french flag	216,00
Compact filterholder unit		
CF-MB/ST	Compact filterholder unit, incl. filterholders (1 fixed, 1 rotating)	698,00
Accessories and spares		
410-10PM	Set of side wings, incl. pivot mechanism	372,00
410-10	Set of side wings	308,00
410-10-01	Mounting blocks for side wings, set of 4 units	60,00
416-02	Quick-release insert mask for 16:9 for housing CBH-43	48,00
416-03	Quick-release insert mask for 16:9 for housing CWAH-1FH - as spare	20,00

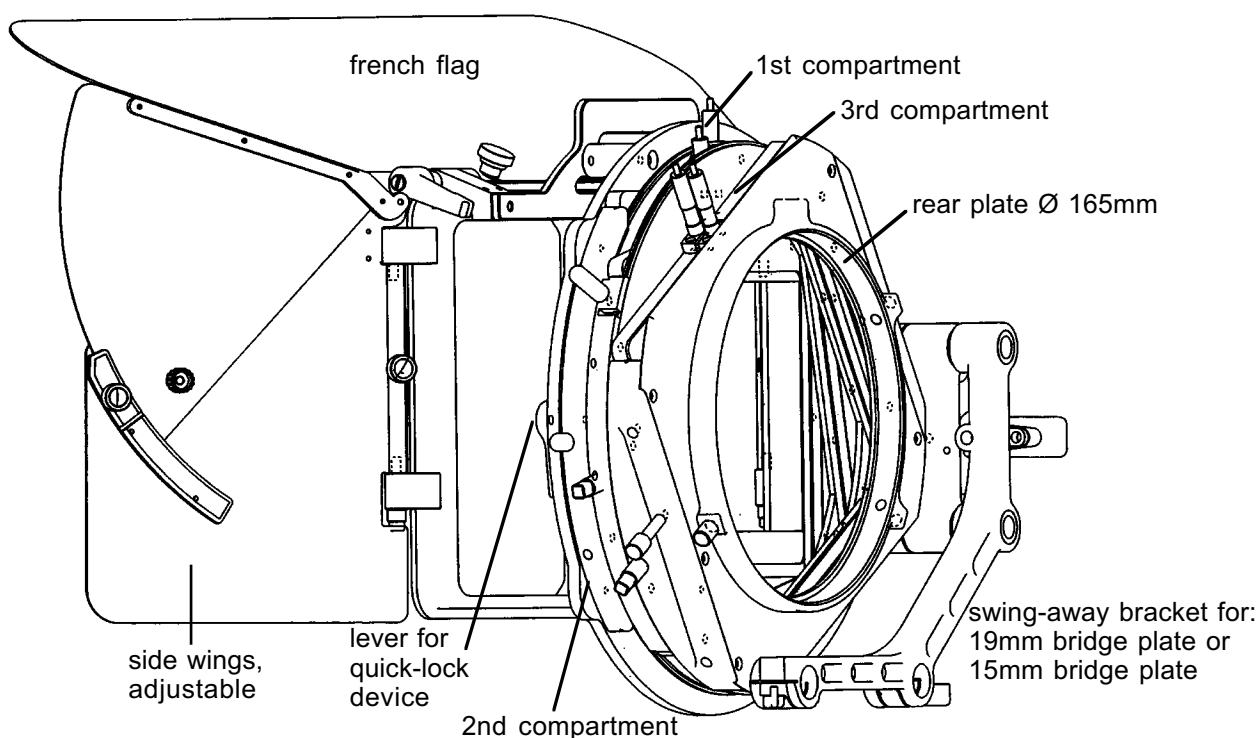
Insert rings see page 53

Additional filterholders see page 55

Mattebox 6.6x6.6

Basic unit (601-03, 601-04) consisting of:

- * special housing for format 1.66:1 - 1.78:1 - 1.85:1, incl. french flag and side wings
- * swing-away bracket for mounting on 19mm (601-01) or 15mm (601-02) bridge plate rods
- * quick-lock device for different configuration of filterstages
- * 1st filtercompartment for 1 filterholder (non rotating)
- * 2nd filtercompartment for 1 filterholder (geared, rotating)
- * 3rd filtercompartment for 2 filterholders (one geared, both rotating)
- * flexible shaft for geared filterholder, 4 filterholders 6.6x6.6
- * rear plate with insert Ø 165mm for use of different retaining rings



Part no.	Description	Price in EURO
601-03	Standard Mattebox 6.6x6.6 with rear plate Ø 165mm for bridge plate 19mm rods	3.376,00
601-04	Standard Mattebox 6.6x6.6 with rear plate Ø 165mm for bridge plate 15mm rods	3.376,00
Accessories, spare parts		
601-CF-W1	Filterstage for 1 filterholder 6.6x6.6 (geared, rotating) - FH not incl.	432,00
601-CF-W21	Filterstage for 2 filterholder 6.6x6.6 (1 geared, 2 rotating) - FH not incl.	504,00
601-CF-W22	Filterstage for 2 Filterholder 6.6x6.6 (2 geared, 2 rotating) - FH not incl.	656,00
610-01-56	Insert filterholder 5x6 to use inside FH 6.6x6.6	204,00
610-01-45	Insert filterholder comb. 4x4/4x5.650 to use inside FH 6.6x6.6	204,00
601-142	Rear plate Ø 142.5mm instead of Ø 165mm exchangeable for Film	196,00
610-01	Filterholder 6.6x6.6	216,00
610-02	Filterholder 6.6x6.6 geared	308,00

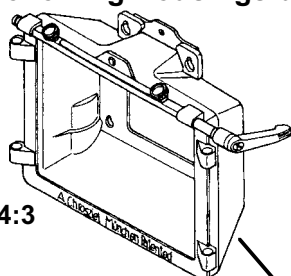
Compact Sunshade Standard for 2 filters

Please choose one of the following housings and add filterstage CF-SS/ST:

CWAH-43

compact wide angle housing 4:3

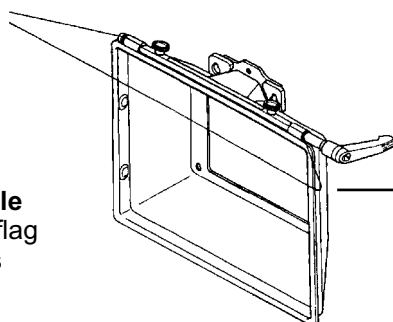
incl french flag
optional use of side wings
focal length up to 7mm



CLWAH-43

Compact large wide angle housing 4:3, incl. french flag

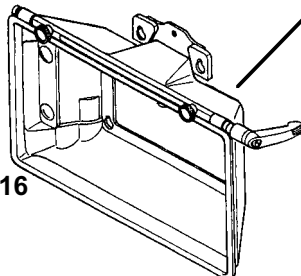
optional use of side wings
focal length up to 5.5mm



CWAH-S16

compact wide angle housing S16

incl. french flag
optional use of side wings
focal length up to 5.5mm



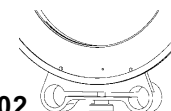
step-down ring -
order separately,
see page 54



CF-SS/ST

filterholder compartment incl.:
1 fixed filterholder
comb. 4x4/4x5.650 (410-31)
1 rotating filterholder 4x4 (402-04)
1 clamp adaptor Ø 104mm

420-02
center bracket

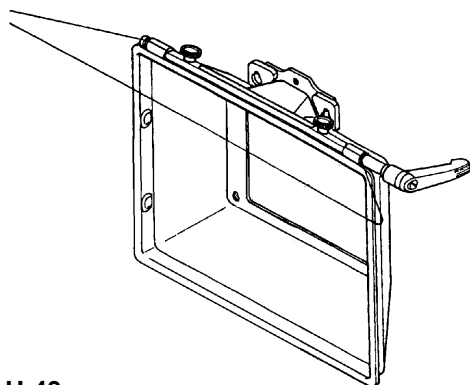


Part no.	Description	Price in EURO
Compact housings		
CWAH-43	Compact wide angle housing 4:3, incl. french flag	216,00
CLWAH-43	Compact large wide angle housing 4:3, incl french flag	216,00
CWAH-S16	Compact wide angle housing Super 16, incl. french flag	216,00
Compact filterholder unit		
CF-SS/ST	Compact filterholder unit, incl. filterholders (1 fixed, 1 rotating)	658,00
Accessories and spares		
410-10PM	Set of side wings, incl. pivot mechanism	372,00
410-10-01	Mounting blocks for side wings, set of 4 units	60,00
420-02	Center bracket to use Sunshade with light weight support	94,00

Step-down rings see page 54

Additional filterholders see page 55

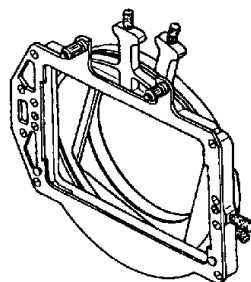
Compact Sunshade Ø 110mm for Cooke S4



CLWAH-43

Compact large wide angle housing 4:3

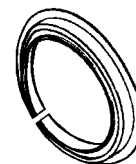
incl. french flag
optional use of side wings
focal length up to **14mm**



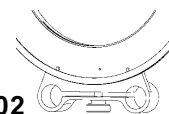
CF-SS/110

filterholder compartment incl.:

- 1 fixed filterholder
comb. 4x4/4x5.650 (410-31)
- 1 rotating filterholder
comb. 4x4/4x5.650 (410-31)
- 1 clamp adaptor Ø 110mm



step-down ring for use
with other lenses
- order separately,
see page 54



420-02
center bracket

For use with other lenses, please add necessary step-down ring separately!

Part no.	Description	Price in EURO
Compact housings		
CLWAH-43	Compact large wide angle housing 4:3, incl. french flag	216,00
Compact filterholder unit		
CF-SS/110	Compact filterholder unit, incl. filterholders (1 fixed, 1 rotating)	1.012,00
Accessories and spares		
410-10PM	Set of side wings, incl. pivot mechanism	372,00
410-10-01	Mounting blocks for side wings, set of 4 units	60,00
420-02	Center bracket to use Sunshade with light weight support	94,00

Step-down rings see page 54

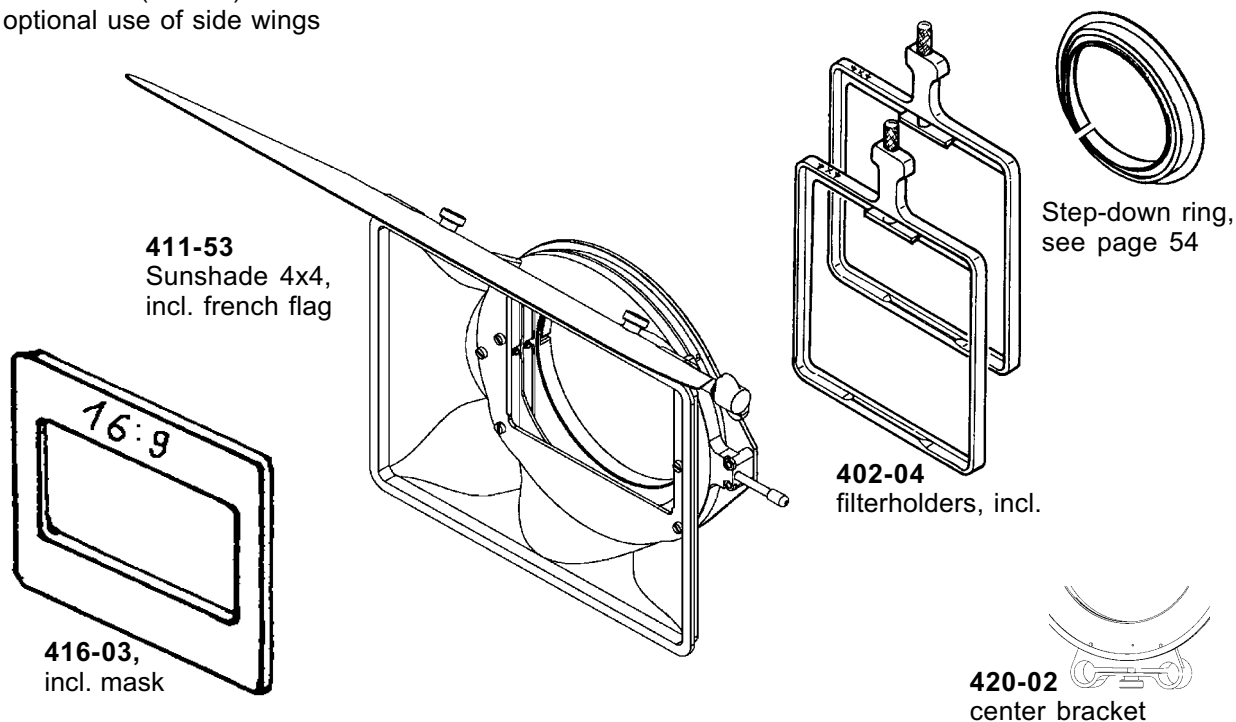
Additional filterholders see page 55



Sunshade 4x4

411-53 Sunshade 4x4, up to focal length of 5.5mm with 16mm lens, basic unit consisting of:

- * housing, incl. french flag (402-26)
up to focal length **5.5mm**
- * filterstage for two filterholders (1 fixed, 1 rotating)
- * 2 filterholders 4x4 (402-04)
- * clamp adaptor Ø 104mm
- * mask 16:9 (416-03)
- * optional use of side wings



Sunshade 411-53 is suitable for 16mm lenses up to focal length of 5.5mm. Optional use of side wings.

Part no.	Description	Price in EURO
411-53	Sunshade 4x4, up to focal length 5.5mm	698,00
Accessories		
410-10PM	Set of side wings, incl. pivot mechanism	372,00
410-10-01	Mounting blocks for side wings, set of 4 units	60,00
420-02	Center bracket to use sunshade with light weight support	94,00
416-03	Mask for 16:9 - as spare	20,00

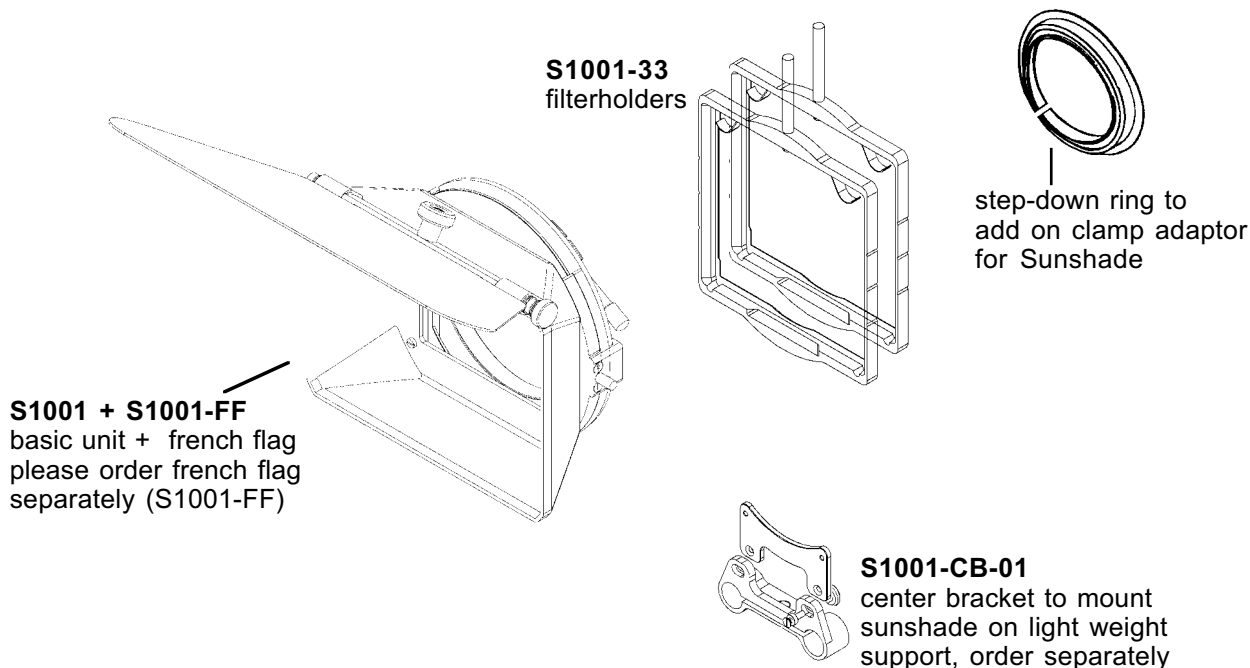
Step-down rings see page 54

Additional filterholders see page 55

Sunshade 3x3 for format 16mm or 35mm

Sunshade 3x3, basic unit (S1001) consisting of:

- * housing (without french flag)
- * filterstage for 2 filterholders 3x3 (1 fixed, 1 rotating)
- * 2 filterholders 3x3 (S1001-33)
- * clamp adaptor Ø 85mm



Part no.	Description	Price in EURO
S1001	Sunshade 3x3 - basic unit	328,00
S1001-CB	Sunshade 3x3 - basic unit, incl. center bracket	428,00
S1001-FF	French flag, incl. pivot rod for Sunshade S1001 or S1001-CB	100,00
Accessories, spares		
S1001-80	Step-down ring Ø 85:80mm for Zeiss prime lenses 16mm & 35mm	10,00
S1001-33	Filterholder 3x3	36,00
S1001-34	Filterholder 3x4	44,00
S1001-FF-01	French flag for DV-Sunshade 3x3 - as spare	32,00
S1001-FF-02	Pivot rod for french flag 3x3, incl. screws and shims - as spare	70,00
S1001-CB-01	Center bracket for use Sunshade 3x3 on light weight support - retrofit	115,00



Insert rings, retaining rings for Mattebox

Part no.	Description	Price in EURO
Light prevention rings for rubber bellows retaining ring Ø 100mm (410-13)		
410-27	Insert ring Ø 100mm to 62mm	32,00
410-23	Insert ring Ø 100mm to 65mm	32,00
410-26	Insert ring Ø 100mm to 70mm	32,00
410-22	Insert ring Ø 100mm to 75mm	32,00
410-17F	Insert ring Ø 100mm to 80mm	32,00
410-16	Insert ring Ø 100mm to 83mm	32,00
410-19	Insert ring Ø 100mm to 85mm	32,00
410-28	Insert ring Ø 100mm to 86mm	32,00
410-15	Insert ring Ø 100mm to 87mm	32,00
410-18	Insert ring Ø 100mm to 90mm	32,00
410-25	Insert ring Ø 100mm to 92mm	32,00
410-21	Insert ring Ø 100mm to 94mm	32,00
410-14	Insert ring Ø 100mm to 95mm	32,00
410-55	Insert ring Ø 100mm to 95mm for use CWAH-1FH & CF-MB/ST with 1 FH up to focal length 4.5mm zoom lenses	32,00
410-20	Insert ring Ø 100mm to 98mm	32,00
Light prevention rings for rubber bellows retaining ring Ø 110mm (410-11)		
410-39	Insert ring Ø 110mm to 85mm	42,00
410-40	Insert ring Ø 110mm to 86mm	42,00
410-41	Insert ring Ø 110mm to 95mm	42,00
410-56	Insert Ring Ø 110mm to 95mm for use CWAH-1FH & CF-MB/ST with 1 FH up to focal length 4.5mm zoom lenses	42,00
410-42	Insert ring Ø 110mm to 96mm	42,00
410-44	Insert ring Ø 110mm to 98mm	42,00
410-46	Insert ring Ø 110mm to 100mm	42,00
410-48	Insert ring Ø 110mm to 105mm	42,00
Retaining rings to add on mattebox Ø 142.5mm directly (instead of rubber bellows)		
410-52	Retaining ring Ø 142.5mm to 117mm	64,00
410-50	Retaining ring Ø 142.5mm to 120mm	98,00
410-53	Retaining ring Ø 142.5mm to 128mm	64,00
410-49	Retaining ring Ø 142.5mm to 130mm	64,00
410-51	Retaining ring Ø 142.5mm to 132mm	64,00
Rubber bellows retaining rings to add on mattebox directly		
410-13	Rubber bellows retaining ring Ø 142.5mm to 100mm	154,00
410-11	Rubber bellows retaining ring Ø 142.5mm to 110mm	154,00
410-14F	Rubber bellows retaining ring Ø 142.5mm to 95mm (for Fujinon A10x4.8 and Canon J11x4.5)	154,00
410-47	Rubber bellows retaining ring Ø 142.5mm to 85mm (for Fujinon HA10x5)	154,00
410-13-01	Insert ring for rubber bellows Ø 100mm - as spare	32,00
410-11-01	Insert ring for rubber bellows Ø 110mm - as spare	32,00
410-14F-01	Insert ring for rubber bellows Ø 95 mm - as spare	44,00
410-08	Holding ring for Ø 138mm round filter for rubber bellows - as spare	28,00
410-09	Holding ring for 4 1/2" round filter, incl. screw in ring for rubber bellows	48,00



Please see list of lens diameters page 59!



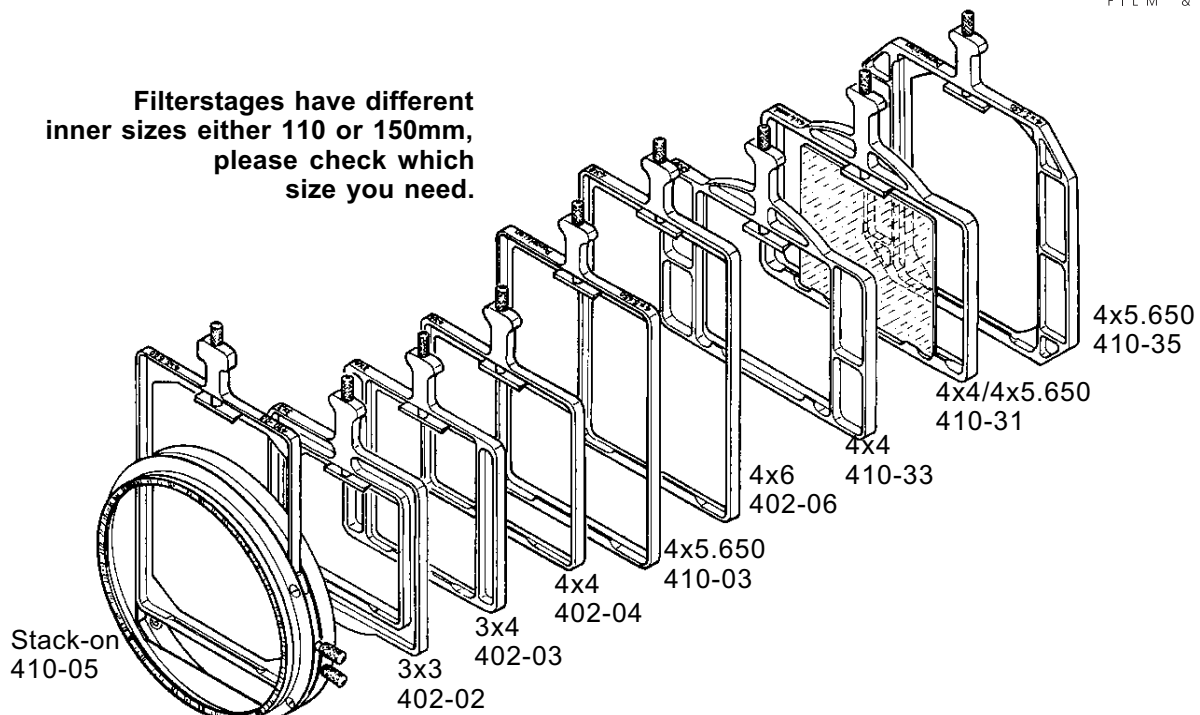
Step-down rings, intermediate rings for Sunshade

Part no.	Description	Price in EURO
Step-down rings for sunshade clamp adaptor Ø 104mm		
411-36	Step-down ring Ø 104mm to 65mm	44,00
411-32	Step-down ring Ø 104mm to 75mm	44,00
411-21	Step-down ring Ø 104mm to 80mm	44,00
411-22	Step-down ring Ø 104mm to 83mm	44,00
411-23	Step-down ring Ø 104mm to 85mm	44,00
411-23F	Step-down ring Ø 104mm to 85mm for Fujinon lenses	44,00
411-24	Step-down ring Ø 104mm to 86mm	44,00
411-25	Step-down ring Ø 104mm to 87mm	44,00
411-26	Step-down ring Ø 104mm to 90mm	44,00
411-16	Step-down ring Ø 104mm to 92mm	44,00
411-27	Step-down ring Ø 104mm to 94mm	44,00
411-28	Step-down ring Ø 104mm to 95mm	44,00
411-28F	Step-down ring Ø 104mm to 95mm for 412-01F	64,00
411-31	Step-down ring Ø 104mm to 95mm for use sunshade 411-53 with 1 filterholder up to focal length 4.5mm zoom lens	44,00
411-33	Step-down ring Ø 104mm to 95mm for use CWAH-1FH & CF-SS/ST with 1 filterholder up to focal length 4.5mm zoom lens	44,00
411-29	Step-down ring Ø 104mm to 98mm	44,00
411-30	Step-down ring Ø 104mm to 100mm	44,00
Step-down rings for sunshade clamp adaptor Ø 110mm		
411-39	Step-down ring Ø 110mm to 80mm	64,00
411-43	Step-down ring Ø 110mm to 85mm	64,00
411-40	Step-down ring Ø 110mm to 86mm	52,00
411-41	Step-down ring Ø 110mm to 95mm	52,00
411-45	Step-down ring Ø 110mm to 95mm for use CWAH-1FH & CF-SS/110 with 1 filterholder up to focal length 4.5mm zoom lens	52,00
411-42	Step-down ring Ø 110mm to 96mm	52,00
411-44	Step-down ring Ø 110mm to 98mm	52,00
411-46	Step-down ring Ø 110mm to 100mm	52,00
411-48	Step-down ring Ø 110mm to 105mm	52,00
Step-down rings and intermediate ring for sunshade clamp adaptor Ø 130mm		
411-54	Step-down ring Ø 130mm to 95mm	64,00
411-59	Step-down ring Ø 130mm to 110mm	64,00
411-60	Intermediate ring Ø 130mm to 110mm for use of different step-down ring Ø 110 to __mm	98,00
411-56	Step-down ring Ø 130mm to 117mm	64,00
411-55	Step-down ring Ø 130mm to 120mm	64,00
411-57	Step-down ring Ø 130mm to 128mm	64,00
411-58	Intermediate ring Ø 130mm to 132mm	102,00
Intermediate ring for sunshade clamp adaptor Ø 104mm		
420-03	Intermediate ring Ø 104mm to 100mm <u>Please note:</u> When using sunshade with center bracket please order intermediate ring 420-03 and add necessary insert rings according to lens diameter, see page 53.	32,00



Please see list of lens diameters page 59!

Filterholders



Part no.	Description	Price in EURO
Filterholders for mattebox and sunshade		
For filter compartments with inner size of 110 mm		
402-02	Filterholder for 3x3 filter	128,00
402-03	Filterholder for 3x4 filter - vertical filter	128,00
402-04	Filterholder for 4x4 filter	128,00
402-08	Filterholder for 4x5 - vertical filter	128,00
402-06	Filterholder for 4x6 - vertical filter	128,00
410-03	Filterholder for 4x5.650 - vertical filter	128,00
For filter compartments with inner size 150 mm		
410-31	Combination filterholder for 4x4 or 4x5.650 - horizontal filter	128,00
510-01	Combination filterholder for 5x5 or 4x5.650 - horizontal filter	128,00
410-33	Filterholder for 4x4 filter (shaded on both sides)	128,00
410-37	Filterholder for 4x5 filter - vertical filter	128,00
410-35	Filterholder for 4x5.650 filter - vertical filter (shaded on both sides)	128,00
410-36	Filterholder for 4x6 filter - vertical filter	128,00
510-04	Filterholder for 5.650x4.500 - horizontal filter	on request
510-03	Filterholder for 5.650x5.650	on request
510-02	Filterholder for 5x6 filter - vertical filter	128,00
410-38	Filterholder for 138mm round filters	144,00
410-05	Stack-on filterholder for Ø 138mm round filter and 1 square filterholder (inner size of 110mm) to add between rear plate of mattebox Ø 142.5mm and retaining ring, not for Sunshades!	144,00
Filterholders geared - for mattebox 805-01		
For filter compartments with inner size 150 mm		
410-31G	Combination filterholder for 4x4 or 4x5.650 - horizontal filter (geared)	148,00
510-01G	Combination filterholder for 5x5 or 4x5.650 - horizontal filter (geared)	148,00
410-35G	Filterholder for 4x5.650 filter - vertical filter (geared, shaded on both sides)	148,00
410-36G	Filterholder for 4x6 filter - vertical filter (geared)	148,00
510-04G	Filterholder for 5.650x4.500 - horizontal filter (geared)	on request
510-03G	Filterholder for 5.650x5.650 - (geared)	on request

Chrosziel Pricelist 09/2003

Film Section



Chrosziel
FILM & VIDEO

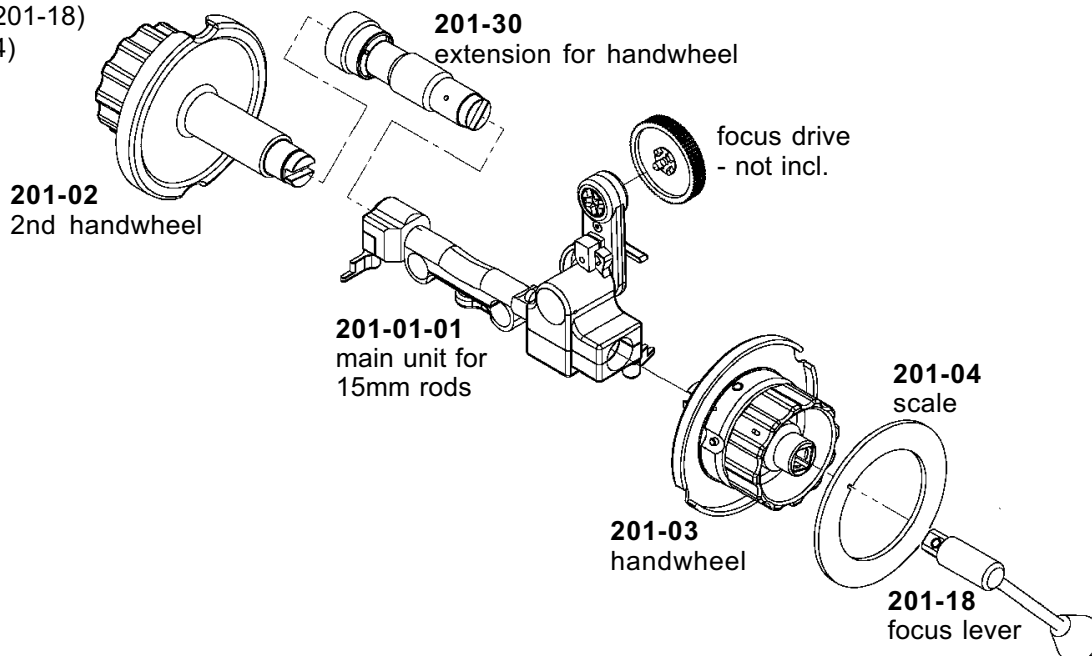
Accessories, spare parts

Part no.	Description	Price in EURO
French flags		
402-26	French flag for CWAH-43, CWAH-169, CWAH-1FH, CLWAH-43 CBH-43, 411-52, 411-53	32,00
410-29	French flag for CWAH-S16, CLWAH-169, CBH-S16, CLWAH-F4.8, 412-01F, 415-01F, 805-01 (CLWAH-8), 810-13	36,00
402-28	French flag for DV-Sunshade 440-01	32,00
610-09	French flag for Mattebox 6.6x6.6	64,00
Side wings		
410-10PM	Set of side wings, incl. pivot mechanism	372,00
410-10	Set of side wings without pivot mechanism	308,00
410-PM	Pivot mechanism for side wings, set of 2 units	64,00
410-10-01	Mounting blocks for side wings, set of 4 units	60,00
610-10	Set of side wings without pivot mechanism for Mattebox 6.6x6.6	392,00
610-PM	Pivot mechanism for side wings, set of 2 units for Mattebox 6.6x6.6	64,00
Masks		
416-02	Quick-release mask for 16:9 for CBH-43	48,00
416-03	Quick-release mask for 16:9 for CWAH-1FH and 411-53	20,00
410-MA43	Set of masks 4:3 (5 units) for housings CLWAH-F4.8 and CLWAH-8	124,00
410-MA169	Set of masks 16:9 (5 units) for housings CLWAH-F4.8 and CLWAH-8	124,00
410-MAP	Set of masks for Zeiss Digi Prime lenses F5 - 40mm (6 units)	148,00
610-MAP	Set of masks for Zeiss Digi Prime lenses F5 - 40mm (6 units)	198,00
Adaptors		
401-10	Adaptor 15mm to 19mm bridge plate rods	164,00
401-12	Adaptor 15mm to 15mm bridge plate rods	164,00
401-17	Adaptor 15mm to 19mm bridge plate rods, hor. and vert. adjustable (only to use with mattebox)	224,00
401-18	Adaptor 15mm to 15mm bridge plate rods, hor. and vert. adjustable (only to use with mattebox)	224,00

Studio rig - follow focus system

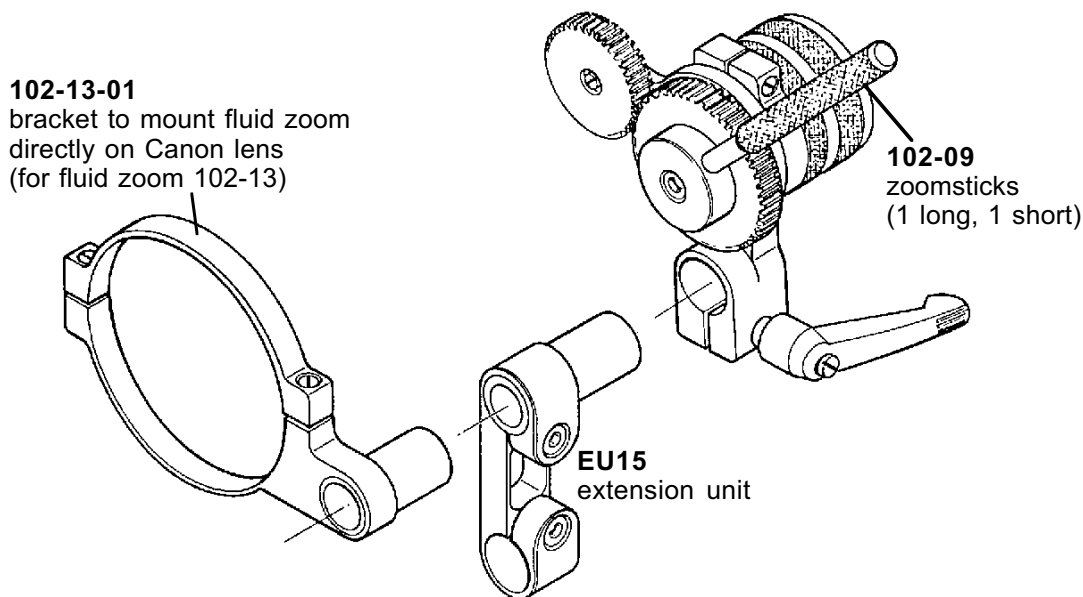
Studio rig FILM basic unit consisting of:

- * 1 main unit film (201-01-01)
- * 1 handwheel removeable with integrated fluid mechanism (201-03)
- * 1 focus lever (201-18)
- * 1 scale (201-04)



Part no.	Description	Price in EURO
201-01	Studio rig FILM, basic unit Additional use of second handwheel on right side possible please order separately 2nd handwheel 201-02!	1.564,00
201-01S	Studio rig FILM - economy version for handwheel-use on one side only!	1.228,00
Accessories, spares		
201-05	Focus drive for 16mm prime lens, mod 0.8 (Ø 33.55mm) teeth 40	64,00
201-06	Focus drive for 16mm zoom lens, mod 0.8 (Ø 33.55mm) teeth 40	64,00
201-22	Focus drive for Canon 8-64, 11.5-138, mod 0.8 (Ø 36.75mm) teeth 44	64,00
201-11	Focus drive for Moviemcam prime lens, mod 0.8 (Ø 37mm w. shaft) teeth 44	64,00
201-23	Focus drive for zoom lens 35mm, mod 0.8 (Ø 46.3mm) teeth 56	64,00
201-14	Focus gear ring for Zeiss HS 16mm, old style (Ø 56mm)	on request
201-19	Focus gear ring for Canon 8-64, 11.5-138, S16 (Ø 82mm) <i>No gear ring necessary for Angénieux 10-120, Cooke 10-30, Zeiss 10-100 T.2 zoom lenses and Zeiss prime lenses!</i>	on request
201-02	Handwheel, incl. 1 scale for second side	368,00
201-07	Extension for handwheel, in combination with long viewfinder	574,00
201-30	Extension for handwheel, lateral straight	184,00
201-31	Flexible shaft - external focus control, length 330mm	78,00
201-32	Flexible shaft - external focus control, length 450mm	92,00
201-33	Flexible shaft - external focus control, length 1000mm	108,00
201-04	Scale for handwheel studio rig	22,00
201-18	Focus lever, length 100mm - as spare	42,00
201-03	Handwheel fluid, incl. 1 scale - as spare	696,00

Fluid zoom drive



All Fluid zooms for Film have mod 0.8 and are equipped with 2 zoomsticks (1 short, 1 long)!

Part no.	Description	Price in EURO
102-01	Fluid zoom drive for Zeiss 10-100 T.2 / 11-110, S16 to mount directly on lens, incl. zoom bar ring (102-35)	640,00
102-11	Fluid zoom drive for Angénieux 10-120 T.2 / 11.5-138, S16 to mount on light weight support	742,00
102-10	Fluid zoom drive for Angénieux 17-102 / 25-250, Cooke 20-60 / 20-100 / 25-250 (without zoomsticks) <i>(needs swing-away bracket 102-14-15 or -19, order separately)</i>	560,00
102-13	Fluid zoom drive for Canon 8-64 / 7-63 / 11.5-138 / 11-165, S16 Cooke 9-50 / 10.4-52 (Cooke only on rods not with bracket 102-13-01) to mount on light weight support or directly on lens with 102-13-01	640,00
102-13S	Fluid zoom drive for Canon 8-64 / 7-63 / 11.5-138 / 11-165, S16 - special to mount directly on lens with ellipse bracket and halfmoon segment for mounting of zoomsticks	742,00
Accessories		
EU15	Extension unit Ø 15mm to 15mm, with short 15mm rod	64,00
EU19	Extension unit Ø 19mm to 15mm, with short 15mm rod	64,00
102-13-01	Bracket to mount directly on Canon zoom lens to use with 102-13	144,00
102-14-15	Swing-away bracket ARRI for 15mm rods to use with 102-10	on request
102-14-19	Swing-away bracket ARRI for 19mm rods to use with 102-10	on request
Spares		
102-35	Zoom bar ring to use with 102-01 - as spare	36,00
102-13-05	Clamp Adaptor (Ellipse) to use with 102-13S - as spare	184,00
102-13-07	Halfmoon segment for zoomsticks to use with 102-13S - as spare	92,00
102-09	Zoom stick, short - as spare	16,00
102-18	Zoom stick, long - as spare	16,00



Lens diameters Film lenses

Canon	External Ø
Canon 11.5 - 138 and 11 - 165	95 mm
Canon 7 - 53, 7 - 56 and 8 - 64	95 mm
Canon 6mm	150 mm
Canon 10mm, 15mm, 24mm, 35mm	80 mm

Zeiss	External Ø
Zeiss 10 - 100, 11 - 110, Century 6mm	87 mm
Zeiss Prime lenses	80 mm
Zeiss HS lenses	80 mm
Zeiss 9.5 and 12mm - old model	70 mm
Zeiss 16mm and 25mm - old model	62 mm

Angénieux	External Ø
Angénieux 10 - 120, 11.5 - 138	114 mm
Angénieux 25 - 250	110 mm
Angénieux 10 - 150, 12 - 120	75 mm
Angénieux 7 - 81	100 mm

Cooke	External Ø
Cooke 9 - 50, 10.4 - 52	83 mm
Cooke S4 (14, 16, 18, 25, 32, 50, 75 and 100mm)	110 mm
Cooke 20 - 100	145 mm

OpTex	External Ø
OpTex Super Cine 4mm	150 mm
OpTex Super Cine 8 and 5.5mm	90 mm

Arri Zeiss	External Ø
Ultra Prime Distagon 2.0 / 10	156 mm
Ultra Prime Distagon 1.7 / 14	114 mm
Ultra Prime Distagon 1.7 / 16, 20, 24, 28, 32 and 40	95 mm
Ultra Prime Planar 1.7 / 50, 85 and 100	95 mm
Ultra Prime Sonnar 1.7 / 135	95 mm
Variable Primes VP1, VP2, VP3	150 mm



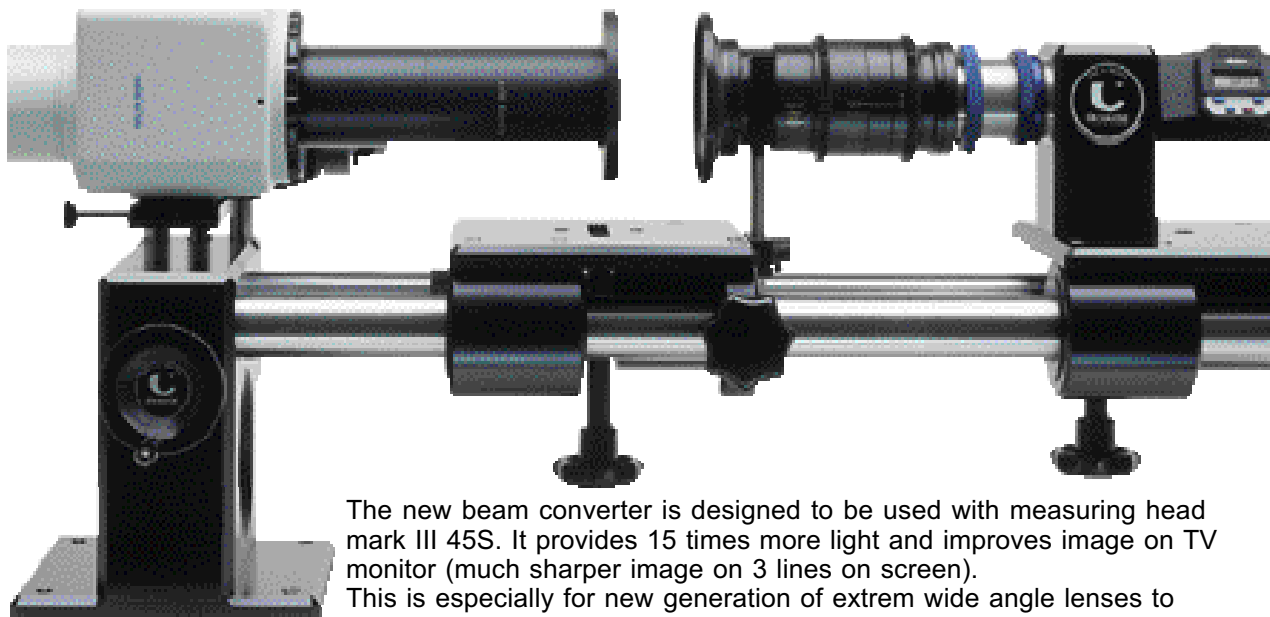
Universal lens and camera test bench

Special sales terms,
please inquire!



Universal lens and camera test bench
(overall length 1.775m)
with testing device Mark III 45S

New beam converter for universal lens and camera test bench

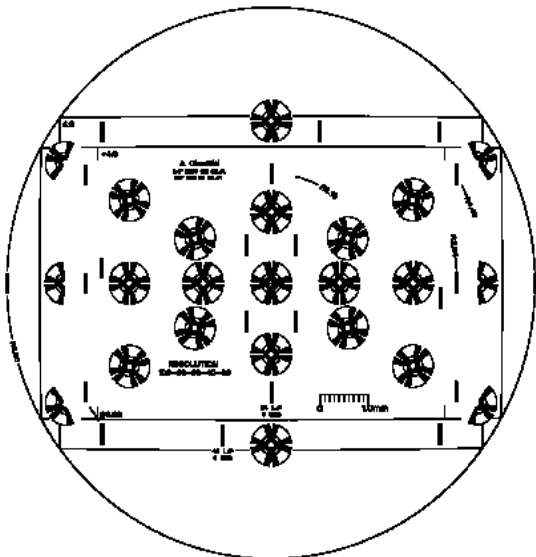


The new beam converter is designed to be used with measuring head mark III 45S. It provides 15 times more light and improves image on TV monitor (much sharper image on 3 lines on screen). This is especially for new generation of extrem wide angle lenses to measure back focal length distance. Range between 4 - 19mm focal length. Also very clear picture on ground glass and film for movie cameras.



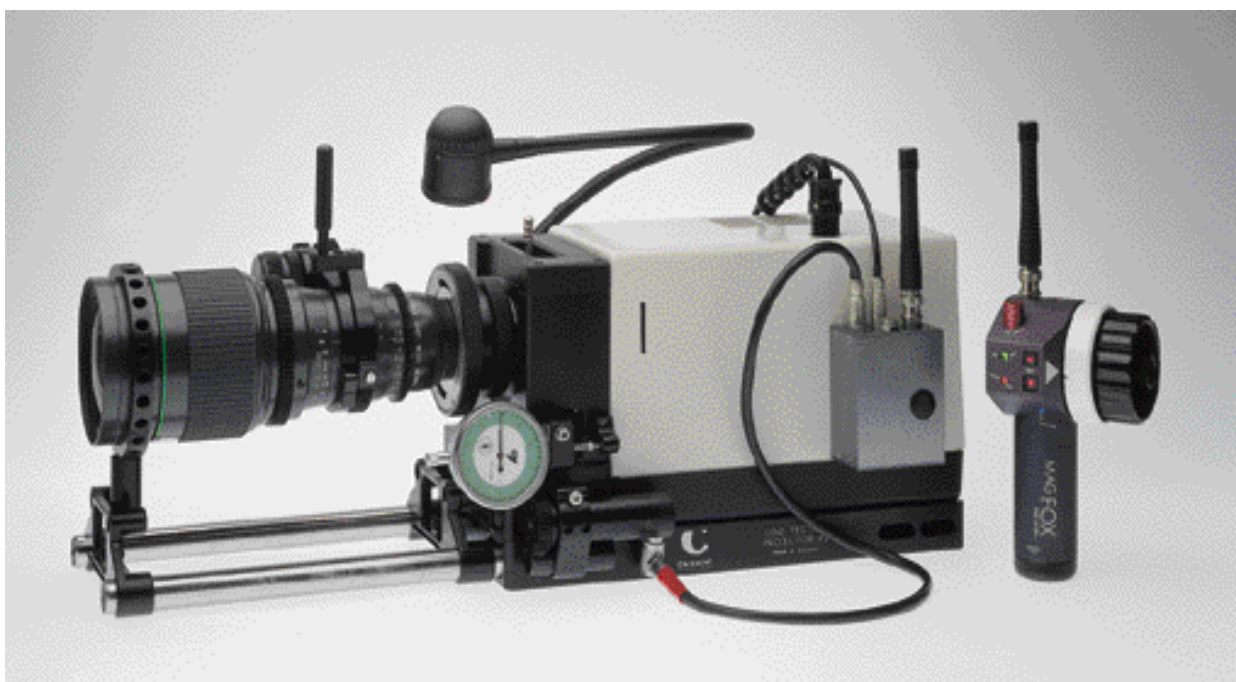
Projector system AC 4.2

Special sales terms,
please inquire!



New test chart **HDTV 16:9** for 9 MHz or 54 line pairs.
Can also be used for format 4:3 with 5MHz.

HDTV glass block to B4 mount available for projector
and collimator.



Also available for projector: Wireless motor control unit ^{Mag} Fox for use with Heden Motor M26P.
Motor bracket can be mounted easily on projector. Wireless control unit allows technician to alter
back focal length distance for best result on screen alone.

Chrosziel Pricelist 09/2003



Agents

For Chrosziel products please contact:

Australia:

John Barry Group Pty. Ltd.
Tel. ++612 94396955
Fax ++612 94392375
katelf@johnbarry.com.au

Lemac Film & Video
Equipment Pty. Ltd.
Tel. ++613 94298588
Fax ++613 94283336
lemac@lemac.com.au

Austria:

J. Peter GmbH
Tel. ++43 1 8134673
Fax ++43 1 8134377
j.petergmbh@aon.at

Belgium:

A.R.C. S.A. / N.V.
Tel. ++32 2 7709630
Fax ++32 2 7723388
arc.cinevideo@skynet.be

BEAC - Nicolas Cladakis
Tel. ++32 59321634
Fax ++32 59323396
info@beac.be

ES Video Facilities
Tel. ++32 1 6404020
Fax ++32 1 6405160
bruno@esvideo.be

Brasilia:

Eurobras Ltda.
Tel. ++55 21 2403399
Fax ++55 21 2406430
eurobras.i@biohard.com

Canada:

Image Gear
Tel. ++1 416 9752565
Fax ++1 416 9750895
mike@cineasst.com

Lorne Lapham Sales
& Rentals Inc.
Tel. ++1 604 2983224
Fax ++1 6042982023
info@llsr.com

Precision Camera Inc.
Tel. ++1 4164613411
Fax ++1 4164614869
jimthor@pci-canada.com

Sono Vidéo Inc.
Tel. ++1514 3228774
Fax ++1514 3227012
info@sonovideo.com

Denmark:

Bico Professional A/S
Tel. ++45 35840295
Fax ++45 35840695
bico@bico.dk

Poul Zimmermann ApS
Tel. ++45 33 258525
Fax ++45 33 258523
mail@zimmermann.dk

Finland:

ModTech Finland Oy
Tel. ++35 89 3434220
Fax ++35 89 3432995
info@modtech.fi

France:

Emit S.A.
Tel. ++33 1 48139010
Fax ++33 1 48139013
emit@wanadoo.fr

Great Britain:

OpTex
Tel. ++44 208 4412199
Fax ++44 208 4493646
info@optextint.com

Greece:

MC Manios
Tel. ++30 1 6452995
Fax ++30 1 6441849
mcmanios@acci.gr

Hong Kong:

Videotech Consultants Comp.
Tel. ++852 27649763
Fax ++852 23625996

India:

Vijay Cine Service Private Ltd.
Tel. ++91 22 597 5227
Fax ++91 22 598 8342
info@vijaycineservices.com

Israel:

Band Pro Film/Video Inc.
Tel. ++972 36731891
Fax ++972 36731894
bandpro@netvision.net.il

Italy:

CARTONI S.p.A.
Tel. ++390 6 4396499
Fax ++390 6 43588293
cartoni@cartoni.com

TAV Trans Audio Video S.R.L.
Tel. ++390 823 329970
Fax ++390 823 327491
sales@transaudiovideo.com

Japan:

Phonon LTD
Tel. ++81 338446403
Fax ++81 338446473
phonon@h5.ne.jp

Korea:

Green Trading Co.
Tel. ++82 2535 6100
Fax ++82 2535 6230
jesuya@korea.com

Netherlands:

Fofic B.V.
Tel. ++31 306044422
Fax ++31 306047944
sales@fofic.nl

Holland Equipment

Holland Equipment
Tel. ++31 206943575
Fax ++31 206685381
hollequi@xs4all.nl

New Zealand:

Panavision NZ Ltd
Tel. ++64 9 3789492
Fax ++64 9 3765207
sales@panavision.co.nz

Professional Lighting Service

Professional Lighting Service
Tel. ++64 9 5252200
Fax ++64 9 5252233
ccrmck@lhug.co.nz

Norway:

Erling Thorud Agenturer
Tel. ++47 63 997700
Fax ++47 63 997723
ethorud@online.no

Lars Farnes AS

Lars Farnes AS
Tel. ++47 22 901 350
Fax ++47 22 164 739
farnes.as@online.no

Bright AS

Bright AS
Tel. ++47 22 98 22 22
Fax ++47 22 98 22 23
post@brighttech.no

Poland:

Studiotech Poland Sp. z o.o.
Tel. ++48 22 644 10 23
Fax ++48 22 644 86 97
studiotech@studiotech.com.pl

Portugal:

Sonofilme
Tel. ++35 11 8482300
Fax ++35 11 8485069
sonofilm@individual.eunet.pt

Romania:

O-Video S.R.L.
Tel. ++40 68 311195
Fax ++40 68 321195
o-video@o-video.ro

Russia:

D & K Corporation
Tel. ++7 095 2323 828
Fax ++7 095 2344 359
producer@prosystems.ru

Sweden:

Hofmann Teknik ab
Tel. ++46 31 192020
Fax ++46 31 192025
jarl@hofmann.se

Svensk Film & Ljusteknik AB

Svensk Film & Ljusteknik AB
Tel. ++46 8 5455 1820
Fax ++46 8 5455 1839
bertil@sff.se

Singapore:

Cine Equipment Pte. Ltd.
Tel. ++65 2525089
Fax ++65 2551981
cineqmt@mbox3.singnet.com.sg

Transmarco H. Warta Pte. Ltd.

Transmarco H. Warta Pte. Ltd.
Tel. ++65 7341884
Fax ++65 7329096
thwarta.general@transmarco234.com

Spain:

VCI Video Cine Import S.A.
Tel. ++34 91 663 6466
Fax ++34 91 653 6030
vci@terra.es

Switzerland:

OMNIPEX S.A.
Tel. ++41 1 8692740
Fax ++41 1 8692741
omnipex@smile.ch

Schweizer AG

Schweizer AG
Tel. ++41 61 956 90 50
Fax. ++41 61 956 90 51
schweizerag@schweizervideo.ch

Taiwan:

Cheng Seng Trading Co. Ltd.
Tel. ++88623311191
Fax ++88623822051
evenseng@ms7hinet.net

View Point Image Assemblies

View Point Image Assemblies
Tel. ++886 2 2303 7899
Fax ++886 8 8901 2028
vpia@ms64.hinet.net

USA:

16x9 Inc.
Tel. ++1 818 972 2839
Fax ++1 818 972 2832
www.16x9inc.com