

Set the stage for exceptional presentations



The P10 offers both exceptional image quality and flexibility for a variety of documents and media.

Progressive scanning with a free-angle camera arm and detailed 48X zoom ensures crystal-clear imagery and captures moving objects at impressive frame rates. Several video output options let you connect to almost any monitor. Combined with built-in SD Memory Card support and a lightweight, compact design, the P10 is the ultimate in versatility and quality.



85,000-Pixel CCD



48X
Zoom



20 fps
Frame Rate



Free Angle
Camera Arm & Lamp



SD Memory
Card-Ready



Split Display



6 User
Settings



A3
Size
Shooting Area



4.7 kg



Application
Software

(Option)

P10 Specifications

Model	P10		
Camera	Image pickup device	1/3" progressive scan CCD	
	Total pixels	1,077 (H) x 788 (V), 850,000 pixels	
	Effective pixels	1,034 (H) x 779 (V)	
	Frame rate	20 fps	
	Resolution	600 (H) x 600 (V) TV lines	
	RGB output	450 (H) TV lines	
	Video output	450 (H) TV lines	
Optics	Zoom	Powered (with variable speed function), 12X optical, 4X digital	
	Lens	F2.8, f=4.7 to 56.4 mm	
	Shooting area	Max. 405 x 303 mm (15 15/16" x 11 15/16"), min. 36.5 x 28 mm (1 7/16" x 1 3/32")	
	Focus	Auto/Manual (powered)	
	Iris	Auto (with level adjustment)/Manual	
Functions	White balance	Full-auto/One-push/Manual	
	Negative/positive conversion	Provided	
	Aperture enhancement	Provided	
	Text mode	Provided	
	Edge enhancement	Provided	
	Colour/B&W selection	Provided	
	Pause mode	Provided	
	Gamma adjustment	Provided	
	OSD (on-screen display)	Provided	
	Split display	Provided (SD Memory Card image, 9-split, 16-split)	
	Image save	Provided (onto SD Memory Card)	
	Image rotation	Provided (0°, 180°)	
	State presetting	Up to 6 user settings	
	Sync. system	Internal	
Input/output	Internal selection	Int./RGB	
	Analogue RGB output	XGA (1,024 x 768 @60 Hz), VESA	
	Video output	Composite, S-video	
	RGB input	Provided	
	DVI output	Provided	
PC interface	RS-232C port	Provided	
	USB port	Provided	
Memory card	SD Memory Card slot	Provided	
Lighting	Upper lighting unit	Provided (twin fluorescent lamp)	
Others	Supplied accessories	I/R remote control, AC adapter, cables, etc.	
	Dimensions (W x D x H)	Set up	377 x 482 x 582 mm (14 27/32" x 18 31/32" x 22 29/32")
		Folded	377 x 482 x 180 mm (14 27/32" x 18 31/32" x 7 3/32")
	Weight	4.7 kg (10.4 lbs)	
	Application software (option)	Image Mate for Presentation, Image Mate for Movie Creation, TWAIN driver [for Windows® 2000 (SP4 or later), Windows® XP (SP2 or later)]	
Power source	AC 100 to 240V, 50/60 Hz		

H: horizontal, V: vertical

Rear panel



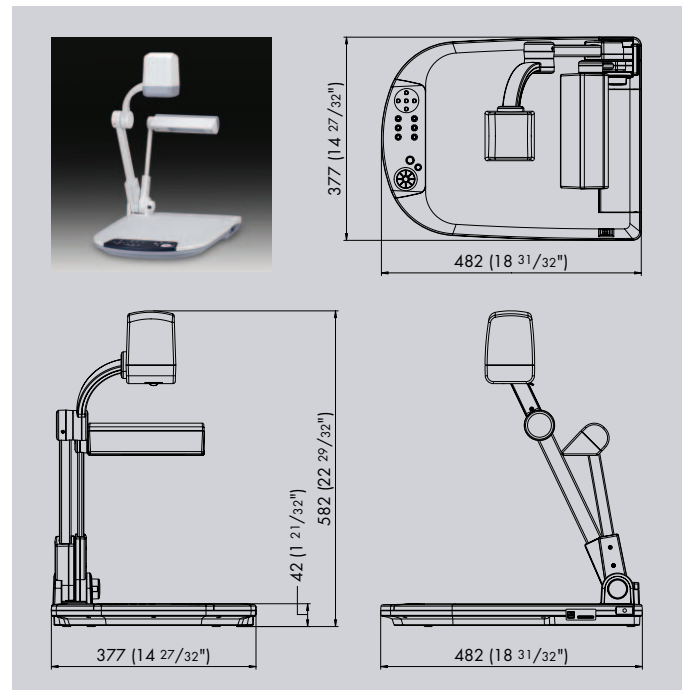
Design and specifications are subject to change without prior notice.

ELMO is a trademark of ELMO COMPANY, LIMITED.

SD logo is a trademark. Other brand names and product names may be trademarks or registered trademarks of their respective owners.

Profile

All dimensions in mm (inches)

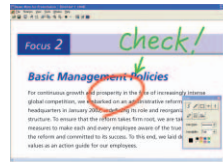


Optional Accessories

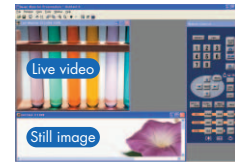


5-inch colour LCD monitor
Monitor shoe
MS-30

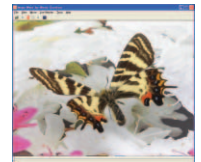
Image Mate software for creating outstanding PC presentations



Annotate your presentation right from a PC



Split Screen lets you compare live video to stored images



Save video files to a PC



ELMO CO., LTD. (Head Office and Factory)'s QMS/EMS has been registered to ISO 9001:2000 & ISO 14001:2004.

ELMO
FOCUS ON THE FUTURE

ELMO CO., LTD.

6-14, Meizen-cho, Mizuho-ku,
Nagoya, 467-8567, Japan
Tel. 81-52-821-3141 Fax. 81-52-811-5243
E-mail: foreign-div@elmo.co.jp

Distributed by

Additional technical information is available from any of the following subsidiary companies:

ELMO (Europe) G.m.b.H.
Neanderstr. 18,
40233 Düsseldorf, Germany
Tel. 0211-3864-70 Fax. 0211-376630
E-mail: info@elmoeurope.com
Web: <http://www.elmoeurope.com>

ELMO USA Corp.
1478 Old Country Road
Plainview, NY 11803-5034, U.S.A.
Tel. 516-501-1400 Fax. 516-501-0429
E-mail: elmo@elmousa.com
Web: <http://www.elmousa.com>

ELMO Canada Corp.
44 West Drive, Brampton,
Ontario, L6T 3T6, Canada
Tel. 905-453-7880 Fax. 905-453-2391
E-mail: info@elmocanada.com
Web: <http://www.elmocanada.com>



This brochure is printed on recycled paper with soy ink.

E05014 Printed in Japan (O) 10/2005