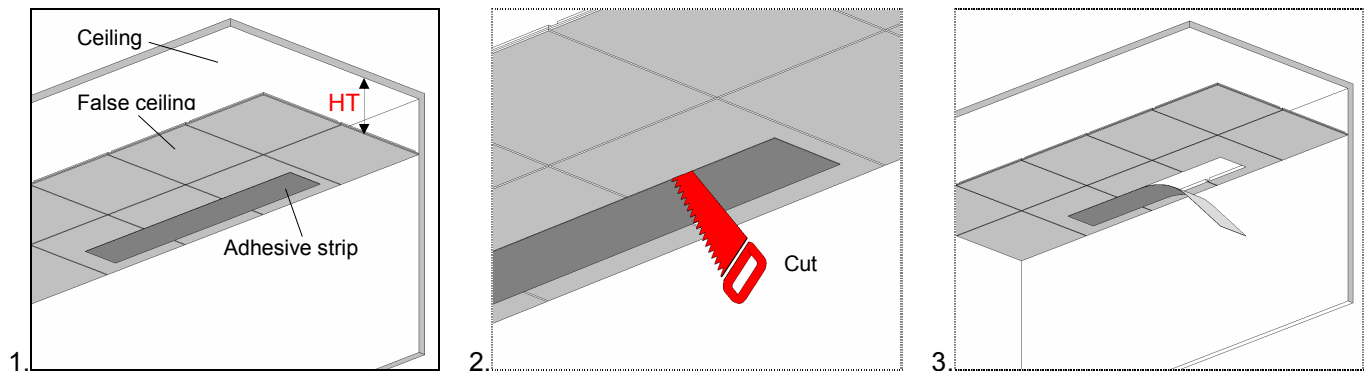
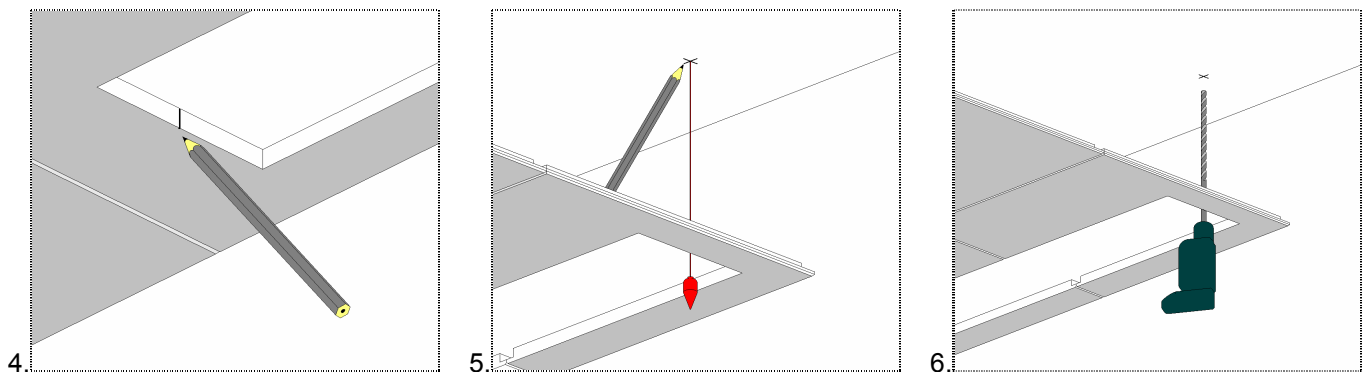


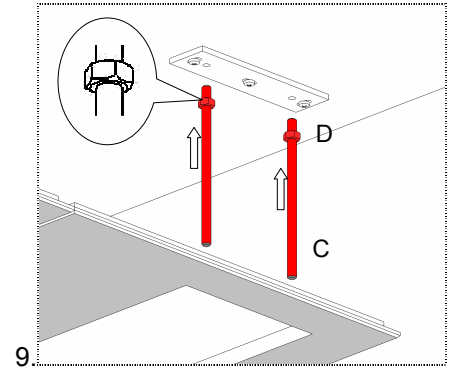
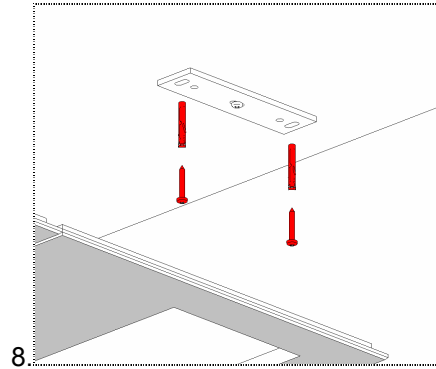
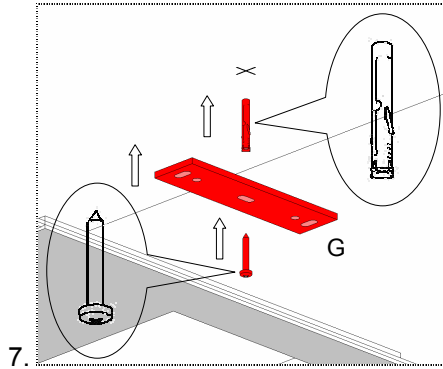
- A: n° 1 piece Screen
- B: n° 1 piece Switch
- C: n° 4 pieces Threaded rod M8 L 1.000 mm;
cut to length **HT** - 100 mm
- D: n° 8 pieces Hexagonal nut M8
- E: n° 4 pieces Self-locking hexagonal nut M8
- F: n° 2 pieces Fastening spanner
- G: n° 2 pieces Ceiling plate
- H: n° 2 pieces Lower closure bracket
- I: n° 1 piece Adhesive ceiling template strip for cutting, width 150 mm x length = LScreen+40 mm



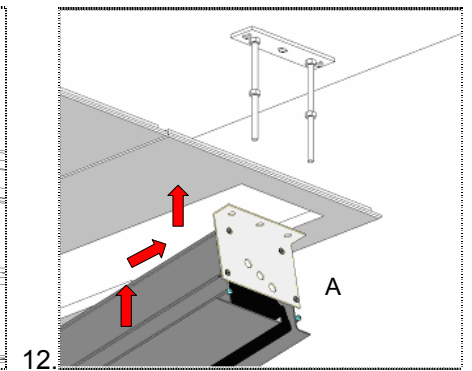
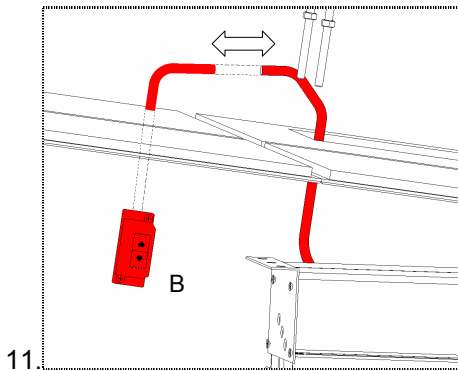
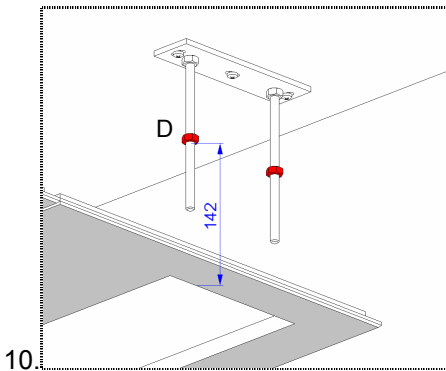
1. position the adhesive template strip (I)
2. cut around the shape
3. remove the cut-out piece



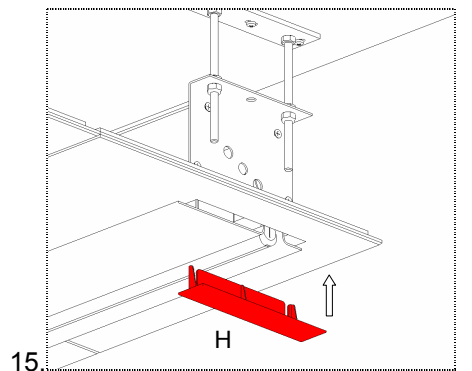
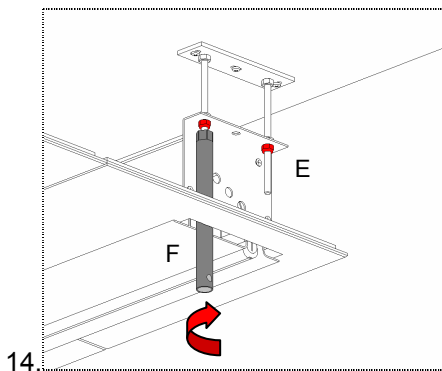
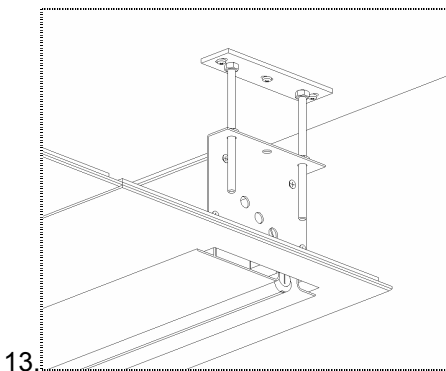
4. mark the centreline
5. extend the drilling reference centre point using a plumb line
6. drill



7. position the ceiling plate (G) and fasten
8. drill and fasten
9. fit the threaded rods (C) and fasten with nuts (D)



10. insert the positioning nuts (D) at 142 mm below the false ceiling
11. connect the switch (B) to the screen (see technical specifications)
12. insert the screen (A)



13. position the screen (A)
14. fasten the self-locking nuts (E) using the spanner supplied (F)
15. insert the closure brackets (H)

