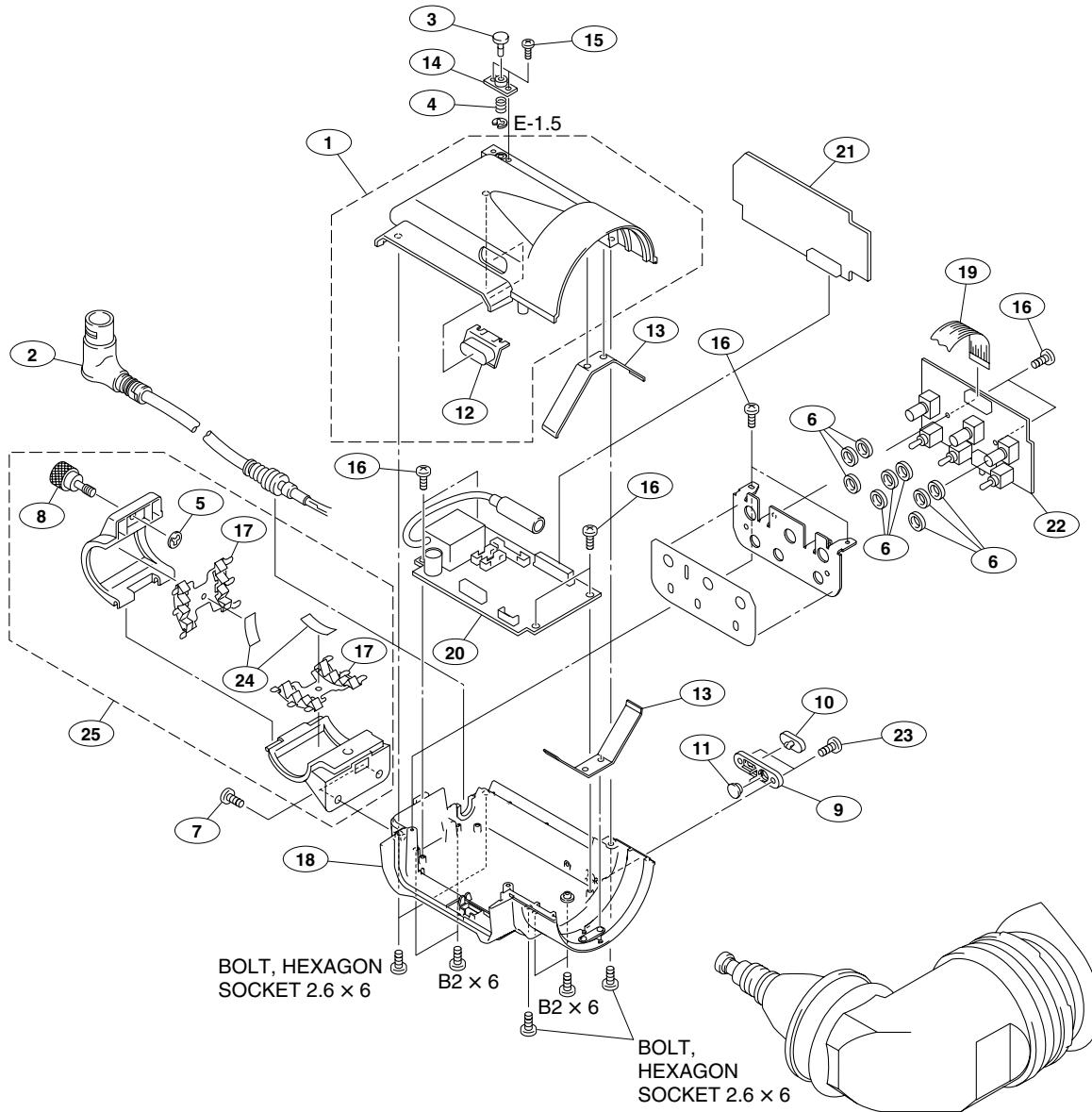


Section 3 Spare Parts

3-1. Exploded Views



No.	Part No.	SP Description
1	X-2318-328-1	s CHASSIS (UPPER) ASSY
2	1-827-581-15	s CORD, CONNECTION (VF)
3	2-277-457-01	s KNOB, STOPPER
4	2-277-466-01	s SPRING, COMPRESSION
5	3-165-904-01	s WASHER, SCREW STOPPER
6	3-292-861-01	s WASHER, SEALING
7	3-364-990-12	s SCREW (M3X8)
8	3-633-916-01	s SCREW (M5)
9	3-679-693-01	o BASE, SLIDE
10	3-679-694-01	o COVER, SLIDE
11	3-679-695-01	o COVER, TALLY
12	3-692-132-03	o COVER, TALLY
13	3-697-152-01	o SPRING, LEAF (2)
14	3-710-008-02	s HOUSING, STOPPER
15	3-719-381-02	s SCREW (M2X4)

No.	Part No.	SP Description
16	3-729-076-11	s SCREW (+B) (2X4)
17	3-854-132-01	s GEL, MIC
18	3-876-763-01	s CHASSIS, BOTTOM
19	9-885-099-47	s FFC
20	9-885-120-27	s MOUNTED CIRCUIT BOARD, MAIN (EVE6-01-1)
21	9-885-120-28	s MOUNTED CIRCUIT BOARD, SUB (1) (EVE5-01)
22	9-885-120-29	s MOUNTED CIRCUIT BOARD, SUB (2) (EVE5-02)
23	7-627-554-18	s SCREW, PRECISION +P 2X3.5 TYPE1
24	3-941-343-01	s TAPE (A)
25	A-1511-856-B	s MIC HOLDER ASSY (SERVICE)
	7-621-772-30	s SCREW +B 2X6
	7-624-102-04	s STOP RING 1.5, TYPE -E
	7-683-412-05	s BOLT, HEXAGON SOCKET 2.6X6