

Spare Parts Information

The following parts information has been extracted from the associated Service Manual as shown :

SONY
HD ELECTRONIC VIEWFINDER
HDVF-C35W

MAINTENANCE MANUAL
1st Edition
Serial No. 100001 and Higher: HDVF-C35W (SY)

For further information, including destination codes, please visit : <http://pro.sony.eu/manualinformation>

Section 4

Spare Parts

4-1. Notes on Repair Parts

1. Safety Related Components Warning

WARNING

Components marked △ are critical to safe operation. Therefore, specified parts should be used in the case of replacement.

2. Standardization of Parts

Some repair parts supplied by Sony differ from those used for the unit. These are because of parts commonality and improvement.

3. Stock of Parts

Parts marked with “o” at SP (Supply Code) column of the spare parts list may not be stocked. Therefore, the delivery date will be delayed.

4. Harness

Harnesses with no part number are not registered as spare parts.

4-1. 補修部品注意事項

1. 安全重要部品

△警告

△印のついた部品は安全性を維持するために重要な部品です。したがって、交換する時は必ず指定の部品を使ってください。

2. 部品の共通化

ソニーから供給する補修用部品は、セットに使われているものと異なることがあります。これは部品の共通化、改良等によるものです。

3. 部品の在庫

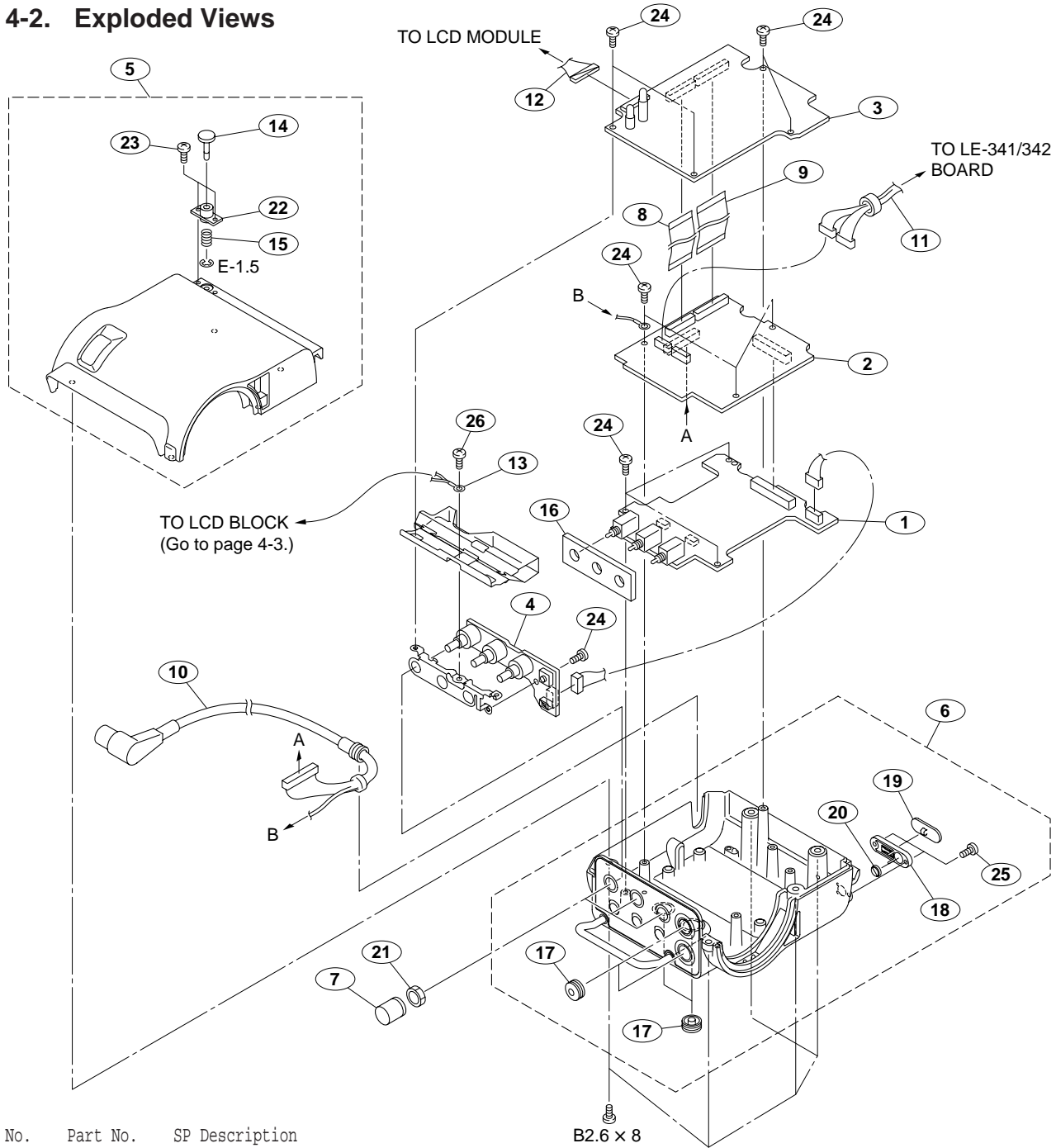
部品表のSP (Supply code) 欄に“o”で示される部品は在庫していないことがあり、納期が長くなることがあります。

4. ハーネス

部品番号が記載されていないハーネスは、サービス部品として登録されていません。

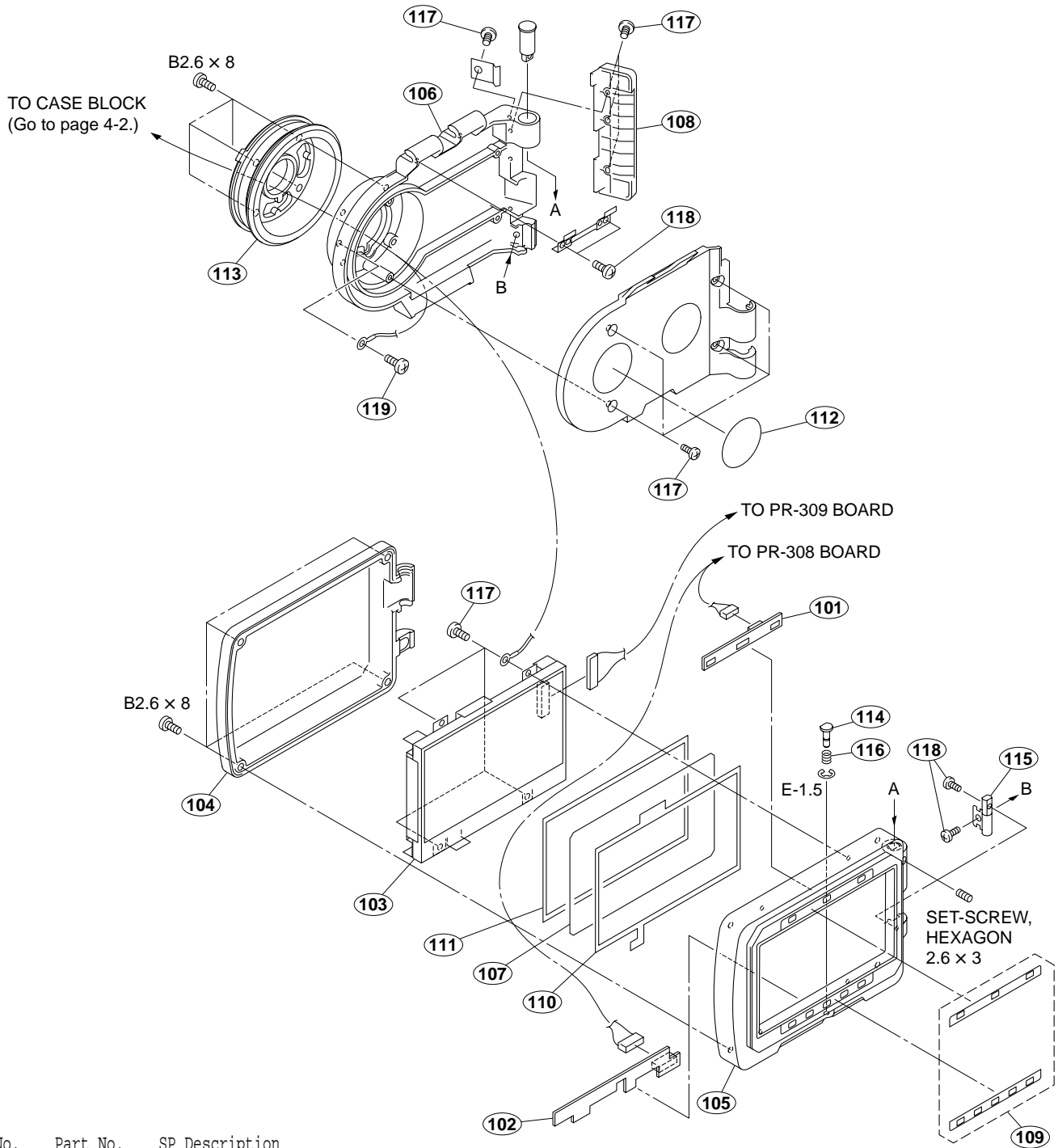
Case Block

4-2. Exploded Views



| No. | Part No. | SP Description |
|-----|--------------|---|
| 1 | A-1258-006-A | s MOUNTED CIRCUIT BOARD, RE-249 |
| 2 | A-1258-010-A | s MOUNTED CIRCUIT BOARD, PR-308 |
| 3 | A-1258-012-A | s MOUNTED CIRCUIT BOARD, PR-309 |
| 4 | A-1258-016-A | s MOUNTED CIRCUIT BOARD, SW-1366 |
| 5 | A-1259-939-A | s CASE ASSY, UPPER |
| 6 | A-1259-940-A | s CASE ASSY, LOWER |
| 7 | X-3604-579-2 | s VOLUME KNOB ASSY |
| 8 | 1-831-089-11 | s CABLE, FLEXIBLE FLAT (30 CORE) |
| 9 | 1-831-126-11 | s CABLE, FLEXIBLE FLAT (40 CORE) |
| 10 | 1-834-283-11 | s CORD, CONNECTION (VF) (STANDARD: 180mm) |
| | 1-827-086-21 | s CORD, CONNECTION (VF) (500mm) |
| | 1-827-086-31 | s CORD, CONNECTION (VF) (1000mm) |
| 11 | 1-965-435-11 | s HARNESS, SUB (LE-U/L) |
| 12 | 1-965-439-11 | s HARNESS, SUB (LCD) |
| 13 | 1-965-562-11 | s HARNESS, SUB (GND) |
| 14 | 2-277-457-01 | s KNOB, STOPPER |
| 15 | 2-277-466-01 | s SPRING, COMPRESSION |

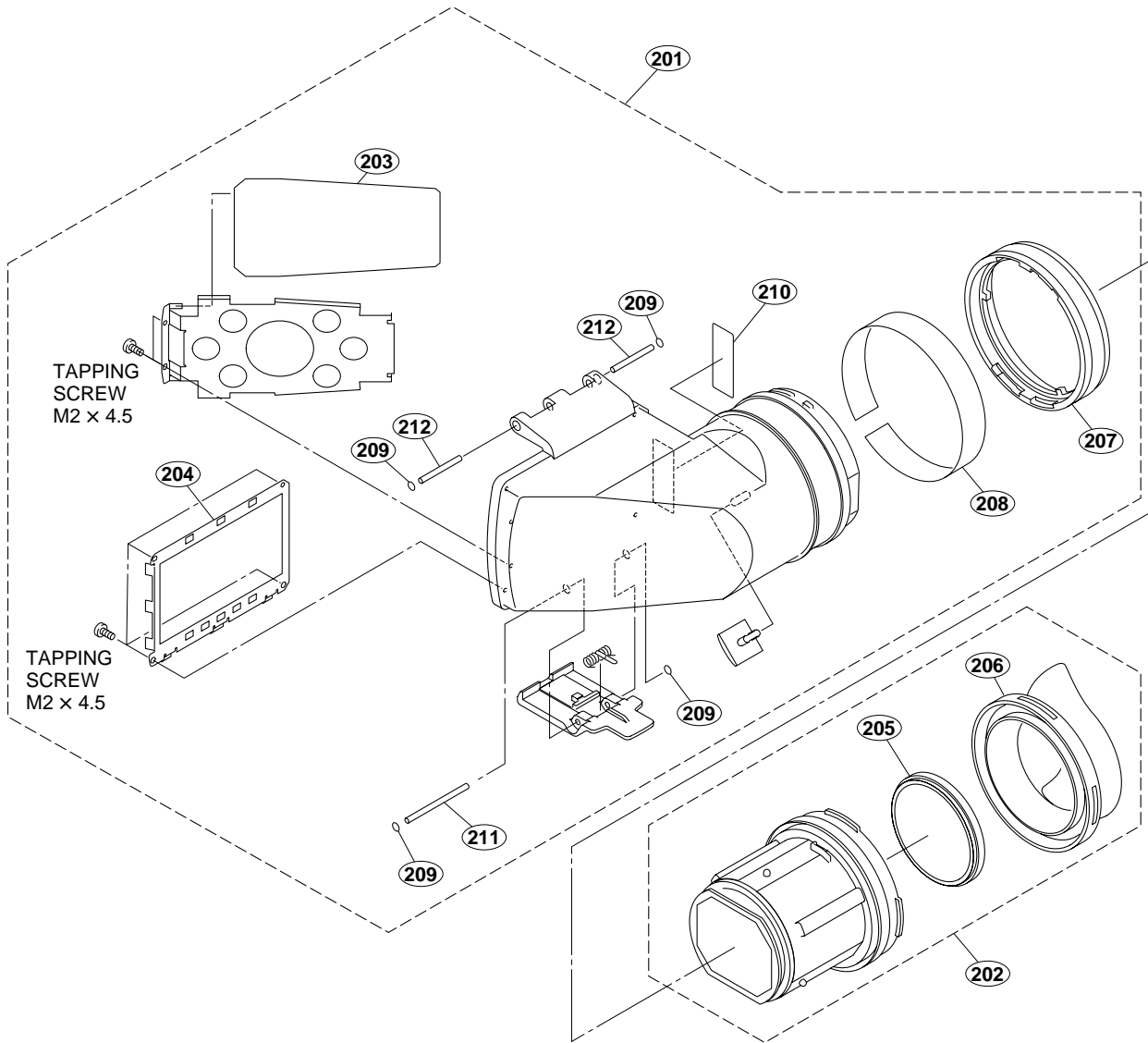
| No. | Part No. | SP Description |
|-----|--------------|-----------------------------------|
| 16 | 3-209-315-01 | s CUSHION, TOGGLE |
| 17 | 3-676-244-11 | s COVER, SW |
| 18 | 3-679-693-01 | o BASE, SLIDE |
| 19 | 3-679-694-01 | o COVER, SLIDE |
| 20 | 3-679-695-01 | o COVER, TALLY |
| 21 | 3-685-104-03 | s NUT (M6), CONTROL |
| 22 | 3-710-008-02 | s HOUSING, STOPPER |
| 23 | 3-719-381-02 | s SCREW (M2X4) |
| 24 | 3-729-076-11 | s SCREW (+B) (2X4) |
| 25 | 7-627-554-18 | s SCREW, PRECISION +P 2X3.5 TYPE1 |
| 26 | 3-364-941-01 | s SCREW(+B) (2.6X5), NYLOK |
| | 7-621-775-40 | s SCREW +B 2.6X8 |
| | 7-624-102-04 | s STOP RING 1.5, TYPE -E |



| No. | Part No. | SP Description |
|-----|----------------|---------------------------------|
| 101 | A-1258-014-A | s MOUNTED CIRCUIT BOARD, LE-341 |
| 102 | A-1258-015-A | s MOUNTED CIRCUIT BOARD, LE-342 |
| 103 | △ A-1267-789-A | s MODULE, LCD |
| 104 | A-1268-033-A | s CHASSIS ASSY, REAR |
| 105 | 3-196-141-02 | s CHASSIS, FRONT |
| 106 | 3-196-144-02 | s ROTATION BASE CHASSIS |
| 107 | 3-209-274-01 | s GLASS, PROTECTION |
| 108 | 3-209-279-01 | s STOPPER |
| 109 | 3-209-280-02 | s SEAL VF DISPLAY (UPPER/LOWER) |
| 110 | 3-209-282-01 | s CUSHION, WATER PROTECT |
| 111 | 3-209-283-01 | s SPACER SHEET |
| 112 | 3-209-284-01 | s CUSHION REAR |
| 113 | 3-209-305-02 | s RING, ROTATION |
| 114 | 3-209-316-01 | s PIN, SLIDE |
| 115 | 3-209-407-01 | s HINGE |

| No. | Part No. | SP Description |
|-----|--------------|----------------------------------|
| 116 | 3-573-150-01 | s SPRING, COMPRESSION |
| 117 | 4-654-273-02 | s ACE (M2), LOCK |
| 118 | 7-627-554-18 | s SCREW,PRECISION +P 2X3.5 TYPE1 |
| 119 | 3-364-941-01 | s SCREW(+B)(2.6X5),NYLOK |
| | 7-621-734-09 | s SET-SCT,HEX. 2.6X3 |
| | 7-621-775-40 | s SCREW +B 2.6X8 |
| | 7-624-102-04 | s STOP RING 1.5, TYPE -E |

Elbow Block



| No. | Part No. | SP Description |
|-----|--------------|------------------|
| 201 | A-1318-253-A | s ELBOW SUB ASSY |
| 202 | 1-788-641-11 | s LOUPE, VF |
| 203 | 3-209-273-01 | s MIRROR |
| 204 | 3-209-278-02 | s PLATE, DISPLAY |
| 205 | 3-209-286-01 | s FILTER, CC |
| 206 | 3-209-288-01 | s EYE CUP |
| 207 | 3-209-291-01 | s RING, FIX |
| 208 | 3-209-408-01 | s SHEET, GRIP |
| 209 | 3-209-823-01 | s SEAL, PROTECT |
| 210 | 3-602-979-02 | s LABEL, CAUTION |
| 211 | 3-692-547-01 | o PIN, PARALLEL |
| 212 | 3-692-547-11 | o PIN, PARALLEL |

4-3. Electrical Parts List

LE-341 BOARD

| Ref. No. or Q'ty | Part No. | SP | Description |
|---------------------|--------------|----|-------------------------------|
| 1pc | A-1258-014-A | s | MOUNTED CIRCUIT BOARD, LE-341 |
| C1 | 1-100-916-11 | s | CAP, CERAMIC 0.1MF X7R 1005 |
| CN1 | 1-784-210-21 | s | CONNECTOR 7P |
| D1 | 8-719-078-90 | s | DIODE CL-165HR/G1-D-T |
| D2 | 6-500-162-01 | s | DIODE FR1112H-TR |
| D3 | 8-719-078-90 | s | DIODE CL-165HR/G1-D-T |
| D11 | 8-719-069-55 | s | DIODE UDZSTE-175.6B |
| D12 | 8-719-069-55 | s | DIODE UDZSTE-175.6B |
| D13 | 8-719-069-55 | s | DIODE UDZSTE-175.6B |
| D14 | 8-719-069-55 | s | DIODE UDZSTE-175.6B |
| D15 | 8-719-069-55 | s | DIODE UDZSTE-175.6B |

LE-342 BOARD

| Ref. No. or Q'ty | Part No. | SP | Description |
|---------------------|--------------|----|-------------------------------|
| 1pc | A-1258-015-A | s | MOUNTED CIRCUIT BOARD, LE-342 |
| C1 | 1-100-916-11 | s | CAP, CERAMIC 0.1MF X7R 1005 |
| CN1 | 1-779-806-21 | s | CONNECTOR 8P |
| D1 | 6-500-796-01 | s | DIODE FA1112H-TR |
| D2 | 8-719-082-67 | s | DIODE FY1111C-634-TR |
| D3 | 6-500-162-01 | s | DIODE FR1112H-TR |
| D4 | 8-719-082-67 | s | DIODE FY1111C-634-TR |
| D5 | 6-500-796-01 | s | DIODE FA1112H-TR |
| D12 | 8-719-069-55 | s | DIODE UDZSTE-175.6B |
| D13 | 8-719-069-55 | s | DIODE UDZSTE-175.6B |
| D14 | 8-719-069-55 | s | DIODE UDZSTE-175.6B |
| D15 | 8-719-069-55 | s | DIODE UDZSTE-175.6B |
| D16 | 8-719-069-55 | s | DIODE UDZSTE-175.6B |
| D17 | 8-719-069-55 | s | DIODE UDZSTE-175.6B |
| S1 | 1-786-207-21 | s | SWITCH, PUSH (1 KEY) |

PR-308 BOARD

*a:[SUFFIX:-12]

| Ref. No. or Q'ty | Part No. | SP | Description |
|---------------------|--------------|----|--------------------------------|
| 1pc | A-1258-010-A | s | MOUNTED CIRCUIT BOARD, PR-308 |
| C2 | 1-165-870-21 | s | CAP, ELECT 100MF (6.3X6) |
| C3 | 1-100-916-11 | s | CAP, CERAMIC 0.1MF X7R 1005 |
| C4 | 1-100-916-11 | s | CAP, CERAMIC 0.1MF X7R 1005 |
| C5 | 1-165-870-21 | s | CAP, ELECT 100MF (6.3X6) |
| C9 | 1-100-916-11 | s | CAP, CERAMIC 0.1MF X7R 1005 |
| C10 | 1-100-916-11 | s | CAP, CERAMIC 0.1MF X7R 1005 |
| C12 | 1-100-916-11 | s | CAP, CERAMIC 0.1MF X7R 1005 |
| C13 | 1-100-916-11 | s | CAP, CERAMIC 0.1MF X7R 1005 |
| C14 | 1-100-916-11 | s | CAP, CERAMIC 0.1MF X7R 1005 |
| C15 | 1-100-916-11 | s | CAP, CERAMIC 0.1MF X7R 1005 |
| C16 | 1-100-916-11 | s | CAP, CERAMIC 0.1MF X7R 1005 |
| C17 | 1-100-916-11 | s | CAP, CERAMIC 0.1MF X7R 1005 |
| C18 | 1-100-916-11 | s | CAP, CERAMIC 0.1MF X7R 1005 |
| C19 | 1-112-691-11 | s | CAP, CERAMIC 22MF R 3225 |
| C20 | 1-114-130-11 | s | CAP, CERAMIC 1MF X6S 1005 |
| C21 | 1-100-916-11 | s | CAP, CERAMIC 0.1MF X7R 1005 |
| C22 | 1-100-916-11 | s | CAP, CERAMIC 0.1MF X7R 1005 |
| C23 | 1-100-916-11 | s | CAP, CERAMIC 0.1MF X7R 1005 |
| C101 | 1-164-850-81 | s | CAP, CHIP CERAMIC 10PF CH 1005 |
| C102 | 1-100-916-11 | s | CAP, CERAMIC 0.1MF X7R 1005 |
| C103 | 1-100-916-11 | s | CAP, CERAMIC 0.1MF X7R 1005 |
| C105 | 1-100-916-11 | s | CAP, CERAMIC 0.1MF X7R 1005 |
| C106 | 1-100-916-11 | s | CAP, CERAMIC 0.1MF X7R 1005 |
| C107 | 1-100-916-11 | s | CAP, CERAMIC 0.1MF X7R 1005 |
| C108 | 1-100-916-11 | s | CAP, CERAMIC 0.1MF X7R 1005 |
| C109 | 1-165-870-21 | s | CAP, ELECT 100MF (6.3X6) |
| C110 | 1-100-916-11 | s | CAP, CERAMIC 0.1MF X7R 1005 |
| C111 | 1-100-916-11 | s | CAP, CERAMIC 0.1MF X7R 1005 |
| C115 | 1-165-870-21 | s | CAP, ELECT 100MF (6.3X6) |
| C201 | 1-164-850-81 | s | CAP, CHIP CERAMIC 10PF CH 1005 |
| C202 | 1-100-916-11 | s | CAP, CERAMIC 0.1MF X7R 1005 |
| C203 | 1-100-916-11 | s | CAP, CERAMIC 0.1MF X7R 1005 |
| C205 | 1-100-916-11 | s | CAP, CERAMIC 0.1MF X7R 1005 |
| C206 | 1-100-916-11 | s | CAP, CERAMIC 0.1MF X7R 1005 |
| C207 | 1-100-916-11 | s | CAP, CERAMIC 0.1MF X7R 1005 |
| C208 | 1-100-916-11 | s | CAP, CERAMIC 0.1MF X7R 1005 |
| C209 | 1-165-870-21 | s | CAP, ELECT 100MF (6.3X6) |
| C210 | 1-100-916-11 | s | CAP, CERAMIC 0.1MF X7R 1005 |
| C211 | 1-100-916-11 | s | CAP, CERAMIC 0.1MF X7R 1005 |
| C215 | 1-165-870-21 | s | CAP, ELECT 100MF (6.3X6) |
| C301 | 1-164-850-81 | s | CAP, CHIP CERAMIC 10PF CH 1005 |
| C302 | 1-100-916-11 | s | CAP, CERAMIC 0.1MF X7R 1005 |
| C303 | 1-100-916-11 | s | CAP, CERAMIC 0.1MF X7R 1005 |
| C305 | 1-100-916-11 | s | CAP, CERAMIC 0.1MF X7R 1005 |
| C306 | 1-100-916-11 | s | CAP, CERAMIC 0.1MF X7R 1005 |
| C307 | 1-100-916-11 | s | CAP, CERAMIC 0.1MF X7R 1005 |
| C308 | 1-100-916-11 | s | CAP, CERAMIC 0.1MF X7R 1005 |
| C309 | 1-165-870-21 | s | CAP, ELECT 100MF (6.3X6) |
| C310 | 1-100-916-11 | s | CAP, CERAMIC 0.1MF X7R 1005 |
| C311 | 1-100-916-11 | s | CAP, CERAMIC 0.1MF X7R 1005 |
| C315 | 1-165-870-21 | s | CAP, ELECT 100MF (6.3X6) |
| C400 | 1-100-916-11 | s | CAP, CERAMIC 0.1MF X7R 1005 |
| C401 | 1-100-916-11 | s | CAP, CERAMIC 0.1MF X7R 1005 |
| C402 | 1-114-130-11 | s | CAP, CERAMIC 1MF X6S 1005 |
| C403 | 1-114-130-11 | s | CAP, CERAMIC 1MF X6S 1005 |

(PR-308 BOARD)

| Ref. No. or Q'ty | Part No. | SP Description |
|---------------------|--------------|--------------------------------|
| C404 | 1-100-916-11 | s CAP, CERAMIC 0.1MF X7R 1005 |
| C405 | 1-100-916-11 | s CAP, CERAMIC 0.1MF X7R 1005 |
| C406 | 1-100-916-11 | s CAP, CERAMIC 0.1MF X7R 1005 |
| C407 | 1-165-872-21 | s CAP, ELECT 47MF (5.0X6.5) |
| C408 | 1-165-872-21 | s CAP, ELECT 47MF (5.0X6.5) |
| C409 | 1-100-916-11 | s CAP, CERAMIC 0.1MF X7R 1005 |
| C410 | 1-100-916-11 | s CAP, CERAMIC 0.1MF X7R 1005 |
| C411 | 1-100-916-11 | s CAP, CERAMIC 0.1MF X7R 1005 |
| C412 | 1-114-214-81 | s CAP,CHIP CERAMIC470PF CH1005 |
| C413 | 1-100-916-11 | s CAP, CERAMIC 0.1MF X7R 1005 |
| C414 | 1-112-777-11 | s CAP, CERAMIC 0.01MF X7R 1005 |
| C415 | 1-100-916-11 | s CAP, CERAMIC 0.1MF X7R 1005 |
| C416 | 1-100-916-11 | s CAP, CERAMIC 0.1MF X7R 1005 |
| C417 | 1-100-916-11 | s CAP, CERAMIC 0.1MF X7R 1005 |
| C418 | 1-100-916-11 | s CAP, CERAMIC 0.1MF X7R 1005 |
| C419 | 1-100-916-11 | s CAP, CERAMIC 0.1MF X7R 1005 |
| C420 | 1-100-916-11 | s CAP, CERAMIC 0.1MF X7R 1005 |
| C421 | 1-114-130-11 | s CAP, CERAMIC 1MF X6S 1005 |
| C422 | 1-165-872-21 | s CAP, ELECT 47MF (5.0X6.5) |
| C423 | 1-112-691-11 | s CAP, CERAMIC 22MF R 3225 |
| C424 | 1-100-916-11 | s CAP, CERAMIC 0.1MF X7R 1005 |
| C425 | 1-100-916-11 | s CAP, CERAMIC 0.1MF X7R 1005 |
| C426 | 1-100-916-11 | s CAP, CERAMIC 0.1MF X7R 1005 |
| C427 | 1-100-916-11 | s CAP, CERAMIC 0.1MF X7R 1005 |
| C428 | 1-100-916-11 | s CAP, CERAMIC 0.1MF X7R 1005 |
| C429 | 1-100-916-11 | s CAP, CERAMIC 0.1MF X7R 1005 |
| C430 | 1-100-916-11 | s CAP, CERAMIC 0.1MF X7R 1005 |
| C431 | 1-100-916-11 | s CAP, CERAMIC 0.1MF X7R 1005 |
| C432 | 1-100-916-11 | s CAP, CERAMIC 0.1MF X7R 1005 |
| C433 | 1-100-916-11 | s CAP, CERAMIC 0.1MF X7R 1005 |
| C434 | 1-100-916-11 | s CAP, CERAMIC 0.1MF X7R 1005 |
| C435 | 1-100-916-11 | s CAP, CERAMIC 0.1MF X7R 1005 |
| C436 | 1-100-916-11 | s CAP, CERAMIC 0.1MF X7R 1005 |
| C437 | 1-100-916-11 | s CAP, CERAMIC 0.1MF X7R 1005 |
| C438 | 1-100-916-11 | s CAP, CERAMIC 0.1MF X7R 1005 |
| C439 | 1-100-916-11 | s CAP, CERAMIC 0.1MF X7R 1005 |
| C440 | 1-100-916-11 | s CAP, CERAMIC 0.1MF X7R 1005 |
| C441 | 1-100-916-11 | s CAP, CERAMIC 0.1MF X7R 1005 |
| C442 | 1-100-916-11 | s CAP, CERAMIC 0.1MF X7R 1005 |
| C443 | 1-100-916-11 | s CAP, CERAMIC 0.1MF X7R 1005 |
| C444 | 1-100-916-11 | s CAP, CERAMIC 0.1MF X7R 1005 |
| C445 | 1-100-916-11 | s CAP, CERAMIC 0.1MF X7R 1005 |
| C446 | 1-100-909-11 | s CAP, CERAMIC 10MF X6S 2012 |
| C447 | 1-100-909-11 | s CAP, CERAMIC 10MF X6S 2012 |
| C448 | 1-100-909-11 | s CAP, CERAMIC 10MF X6S 2012 |
| C449 | 1-100-916-11 | s CAP, CERAMIC 0.1MF X7R 1005 |
| C450 | 1-100-916-11 | s CAP, CERAMIC 0.1MF X7R 1005 |
| C451 | 1-112-691-11 | s CAP, CERAMIC 22MF R 3225 |
| C452 | 1-100-916-11 | s CAP, CERAMIC 0.1MF X7R 1005 |
| C600 | 1-112-777-11 | s CAP, CERAMIC 0.01MF X7R 1005 |
| C601 | 1-100-916-11 | s CAP, CERAMIC 0.1MF X7R 1005 |
| C602 | 1-100-916-11 | s CAP, CERAMIC 0.1MF X7R 1005 |
| C603 | 1-165-870-21 | s CAP, ELECT 100MF (6.3X6) |
| C604 | 1-165-870-21 | s CAP, ELECT 100MF (6.3X6) |
| C605 | 1-100-916-11 | s CAP, CERAMIC 0.1MF X7R 1005 |
| C606 | 1-165-870-21 | s CAP, ELECT 100MF (6.3X6) |
| C607 | 1-112-691-11 | s CAP, CERAMIC 22MF R 3225 |
| C608 | 1-100-916-11 | s CAP, CERAMIC 0.1MF X7R 1005 |
| C609 | 1-112-691-11 | s CAP, CERAMIC 22MF R 3225 |

(PR-308 BOARD)

| Ref. No. or Q'ty | Part No. | SP Description |
|---------------------|--------------|----------------------------------|
| C610 | 1-100-916-11 | s CAP, CERAMIC 0.1MF X7R 1005 |
| C613 | 1-100-916-11 | s CAP, CERAMIC 0.1MF X7R 1005 |
| C614 | 1-112-691-11 | s CAP, CERAMIC 22MF R 3225 |
| C615 | 1-100-916-11 | s CAP, CERAMIC 0.1MF X7R 1005 |
| C616 | 1-100-916-11 | s CAP, CERAMIC 0.1MF X7R 1005 |
| C617 | 1-100-916-11 | s CAP, CERAMIC 0.1MF X7R 1005 |
| CN1 | 1-695-209-21 | s PIN, CONNECTOR (PC BOARD) 15P |
| CN6 | 1-784-210-21 | s CONNECTOR 7P |
| CN7 | 1-784-254-21 | s CONNECTOR 10P |
| CN400 | 1-573-290-21 | s PIN, CONNECTOR (1.5MM) (SMD)4P |
| CN600 | 1-778-651-31 | s CONNECTOR, FFC/FPC(ZIF) ST 40P |
| CN601 | 1-778-650-31 | s CONNECTOR, FFC/FPC(ZIF) ST 30P |
| CN602 | 1-779-806-21 | s CONNECTOR 8P |
| D603 | 8-719-069-55 | s DIODE UDZSTE-175.6B |
| D604 | 8-719-069-55 | s DIODE UDZSTE-175.6B |
| D605 | 8-719-069-55 | s DIODE UDZSTE-175.6B |
| D606 | 8-719-069-55 | s DIODE UDZSTE-175.6B |
| D607 | 8-719-069-55 | s DIODE UDZSTE-175.6B |
| D608 | 8-719-069-55 | s DIODE UDZSTE-175.6B |
| D609 | 8-719-069-55 | s DIODE UDZSTE-175.6B |
| D610 | 8-719-069-55 | s DIODE UDZSTE-175.6B |
| D611 | 8-719-069-55 | s DIODE UDZSTE-175.6B |
| D612 | 8-719-069-55 | s DIODE UDZSTE-175.6B |
| D613 | 8-719-017-03 | s DIODE 02DZ4.7-TPH3 |
| D614 | 8-719-017-03 | s DIODE 02DZ4.7-TPH3 |
| FB1 | 1-400-832-21 | s SMD EMI FERRITE |
| FB2 | 1-400-832-21 | s SMD EMI FERRITE |
| FB600 | 1-414-581-21 | s FERRITE, EMI (SMD) (4516) |
| FB601 | 1-414-581-21 | s FERRITE, EMI (SMD) (4516) |
| FB602 | 1-414-581-21 | s FERRITE, EMI (SMD) (4516) |
| FL1 | 1-233-943-21 | s FILTER, LOW PASS |
| FL101 | 1-233-943-21 | s FILTER, LOW PASS |
| FL201 | 1-233-943-21 | s FILTER, LOW PASS |
| FL301 | 1-233-943-21 | s FILTER, LOW PASS |
| IC1 | 6-702-436-01 | s IC AD8061ARTZ-REEL7 |
| IC2 | 6-702-436-01 | s IC AD8061ARTZ-REEL7 |
| IC3 | 6-702-436-01 | s IC AD8061ARTZ-REEL7 |
| IC4 | 6-702-436-01 | s IC AD8061ARTZ-REEL7 |
| IC5 | 8-759-675-54 | s IC TC7W53FK(TE85R) |
| IC6 | 6-710-776-01 | s IC LMH1981MTX |
| IC100 | 6-702-436-01 | s IC AD8061ARTZ-REEL7 |
| IC101 | 8-759-675-54 | s IC TC7W53FK(TE85R) |
| IC102 | 8-759-675-54 | s IC TC7W53FK(TE85R) |
| IC103 | 6-702-436-01 | s IC AD8061ARTZ-REEL7 |
| IC200 | 6-702-436-01 | s IC AD8061ARTZ-REEL7 |
| IC201 | 8-759-675-54 | s IC TC7W53FK(TE85R) |
| IC202 | 8-759-675-54 | s IC TC7W53FK(TE85R) |
| IC203 | 6-702-436-01 | s IC AD8061ARTZ-REEL7 |
| IC300 | 6-702-436-01 | s IC AD8061ARTZ-REEL7 |
| IC301 | 8-759-675-54 | s IC TC7W53FK(TE85R) |
| IC302 | 8-759-675-54 | s IC TC7W53FK(TE85R) |
| IC303 | 6-702-436-01 | s IC AD8061ARTZ-REEL7 |
| IC400 | 6-703-421-01 | s IC HD64F7145F50 |
| IC401 | 8-759-592-49 | s IC TC7SZ125FU(TE85R) |
| IC402 | 8-759-672-76 | s IC AK9813BF-E2 |
| IC403 | 6-704-832-01 | s IC IS61LV6416-10TLT |
| IC404 | 8-759-592-47 | s IC TC7SZ08FU(TE85R) |

(PR-308 BOARD)

| Ref. No. or Q'ty | Part No. | SP | Description |
|---------------------|--------------|----|-------------------------------|
| IC405 | 6-707-870-01 | s | IC TC74VHC157FT(EKJ) |
| IC406 | 6-710-021-01 | s | IC CAT24C16WI-GT3 |
| IC407 | 6-708-016-01 | s | IC LM75BIMX-3/NOPB |
| IC408 | 6-708-606-01 | s | IC LTC4300A-1IMS8#TR |
| IC409 | 6-710-021-01 | s | IC CAT24C16WI-GT3 |
| IC410 | 6-706-478-01 | s | IC TC7SET08FU(T5RSOJF) |
| IC411 | 6-709-765-01 | s | IC EPCS4SI8N(15) |
| IC412 | 8-759-592-47 | s | IC TC7SZ08FU(TE85R) |
| IC600 | 6-711-232-01 | s | IC MAX6966AEE+T |
| IC601 | 8-759-656-54 | s | IC TC7WH14FK(TE85R) |
| IC602 | 8-759-523-02 | s | IC TC74HC4053AFT(EL) |
| IC603 | 8-759-523-02 | s | IC TC74HC4053AFT(EL) |
| L400 | 1-414-754-91 | s | INDUCTOR 10.0UH |
| L401 | 1-414-754-91 | s | INDUCTOR 10.0UH |
| L402 | 1-414-394-41 | s | INDUCTOR (SMD) 2.2UH |
| L600 | 1-414-392-41 | s | INDUCTOR (SMD) 1.0UH |
| L601 | 1-414-392-41 | s | INDUCTOR (SMD) 1.0UH |
| L602 | 1-414-392-41 | s | INDUCTOR (SMD) 1.0UH |
| L603 | 1-469-549-21 | s | INDUCTOR, CHIP 1.0UH (LB2016) |
| L604 | 1-469-549-21 | s | INDUCTOR, CHIP 1.0UH (LB2016) |
| L605 | 1-469-549-21 | s | INDUCTOR, CHIP 1.0UH (LB2016) |
| L606 | 1-469-549-21 | s | INDUCTOR, CHIP 1.0UH (LB2016) |
| Q400 | 8-729-928-28 | s | TRANSISTOR DTA144EE-TL |
| Q600 | 8-729-928-82 | s | TRANSISTOR DTC144EE-TL |
| R1 | 1-208-860-81 | s | RES, CHIP 75 (1005) |
| R4 | 1-208-683-11 | s | RES, CHIP 1.0K (1005) |
| R5 | 1-208-683-11 | s | RES, CHIP 1.0K (1005) |
| R7 | 1-208-683-11 | s | RES, CHIP 1.0K (1005) |
| R8 | 1-208-683-11 | s | RES, CHIP 1.0K (1005) |
| R9 | 1-218-990-81 | s | CONDUCTOR, CHIP (1005) |
| R11 | 1-208-671-11 | s | RES, CHIP 330 (1005) |
| R12 | 1-208-671-11 | s | RES, CHIP 330 (1005) |
| R13 | 1-218-941-11 | s | RES, CHIP 100 (1005) |
| R14 | 1-208-683-11 | s | RES, CHIP 1.0K (1005) |
| R15 | 1-208-683-11 | s | RES, CHIP 1.0K (1005) |
| R17 | 1-218-941-11 | s | RES, CHIP 100 (1005) |
| R18 | 1-218-990-81 | s | CONDUCTOR, CHIP (1005) |
| R19 | 1-218-990-81 | s | CONDUCTOR, CHIP (1005) |
| R20 | 1-218-941-11 | s | RES, CHIP 100 (1005) |
| R21 | 1-218-941-11 | s | RES, CHIP 100 (1005) |
| R22 | 1-218-941-11 | s | RES, CHIP 100 (1005) |
| R23 | 1-218-941-11 | s | RES, CHIP 100 (1005) |
| R24 | 1-218-941-11 | s | RES, CHIP 100 (1005) |
| R25 | 1-218-941-11 | s | RES, CHIP 100 (1005) |
| R26 | 1-218-941-11 | s | RES, CHIP 100 (1005) |
| R27 | 1-218-941-11 | s | RES, CHIP 100 (1005) |
| R28 | 1-218-941-11 | s | RES, CHIP 100 (1005) |
| R29 | 1-208-911-81 | s | RES, CHIP 10K (1005) |
| R100 | 1-208-860-81 | s | RES, CHIP 75 (1005) |
| R102 | 1-218-990-81 | s | CONDUCTOR, CHIP (1005) |
| R103 | 1-208-683-11 | s | RES, CHIP 1.0K (1005) |
| R104 | 1-208-683-11 | s | RES, CHIP 1.0K (1005) |
| R105 | 1-208-683-11 | s | RES, CHIP 1.0K (1005) |
| R106 | 1-208-683-11 | s | RES, CHIP 1.0K (1005) |
| R107 | 1-208-683-11 | s | RES, CHIP 1.0K (1005) |
| R108 | 1-218-990-81 | s | CONDUCTOR, CHIP (1005) |
| R110 | 1-218-990-81 | s | CONDUCTOR, CHIP (1005) |
| R111 | 1-218-941-11 | s | RES, CHIP 100 (1005) |

(PR-308 BOARD)

| Ref. No. or Q'ty | Part No. | SP | Description |
|---------------------|--------------|----|------------------------|
| R112 | 1-218-941-11 | s | RES, CHIP 100 (1005) |
| R113 | 1-208-671-11 | s | RES, CHIP 330 (1005) |
| R114 | 1-208-671-11 | s | RES, CHIP 330 (1005) |
| R115 | 1-208-671-11 | s | RES, CHIP 330 (1005) |
| R116 | 1-208-671-11 | s | RES, CHIP 330 (1005) |
| R117 | 1-218-941-11 | s | RES, CHIP 100 (1005) |
| R118 | 1-208-683-11 | s | RES, CHIP 1.0K (1005) |
| R120 | 1-208-683-11 | s | RES, CHIP 1.0K (1005) |
| R121 | 1-218-941-11 | s | RES, CHIP 100 (1005) |
| R200 | 1-208-860-81 | s | RES, CHIP 75 (1005) |
| R202 | 1-218-990-81 | s | CONDUCTOR, CHIP (1005) |
| R203 | 1-208-683-11 | s | RES, CHIP 1.0K (1005) |
| R204 | 1-208-683-11 | s | RES, CHIP 1.0K (1005) |
| R205 | 1-208-683-11 | s | RES, CHIP 1.0K (1005) |
| R206 | 1-208-683-11 | s | RES, CHIP 1.0K (1005) |
| R207 | 1-208-683-11 | s | RES, CHIP 1.0K (1005) |
| R208 | 1-218-990-81 | s | CONDUCTOR, CHIP (1005) |
| R210 | 1-218-990-81 | s | CONDUCTOR, CHIP (1005) |
| R211 | 1-218-941-11 | s | RES, CHIP 100 (1005) |
| R212 | 1-218-941-11 | s | RES, CHIP 100 (1005) |
| R213 | 1-208-671-11 | s | RES, CHIP 330 (1005) |
| R214 | 1-208-671-11 | s | RES, CHIP 330 (1005) |
| R215 | 1-208-671-11 | s | RES, CHIP 330 (1005) |
| R216 | 1-208-671-11 | s | RES, CHIP 330 (1005) |
| R217 | 1-218-941-11 | s | RES, CHIP 100 (1005) |
| R218 | 1-208-683-11 | s | RES, CHIP 1.0K (1005) |
| R220 | 1-208-683-11 | s | RES, CHIP 1.0K (1005) |
| R221 | 1-218-941-11 | s | RES, CHIP 100 (1005) |
| R300 | 1-208-860-81 | s | RES, CHIP 75 (1005) |
| R302 | 1-218-990-81 | s | CONDUCTOR, CHIP (1005) |
| R303 | 1-208-683-11 | s | RES, CHIP 1.0K (1005) |
| R304 | 1-208-683-11 | s | RES, CHIP 1.0K (1005) |
| R305 | 1-208-683-11 | s | RES, CHIP 1.0K (1005) |
| R306 | 1-208-683-11 | s | RES, CHIP 1.0K (1005) |
| R307 | 1-208-683-11 | s | RES, CHIP 1.0K (1005) |
| R308 | 1-218-990-81 | s | CONDUCTOR, CHIP (1005) |
| R310 | 1-218-990-81 | s | CONDUCTOR, CHIP (1005) |
| R311 | 1-218-941-11 | s | RES, CHIP 100 (1005) |
| R312 | 1-218-941-11 | s | RES, CHIP 100 (1005) |
| R313 | 1-208-671-11 | s | RES, CHIP 330 (1005) |
| R314 | 1-208-671-11 | s | RES, CHIP 330 (1005) |
| R315 | 1-208-671-11 | s | RES, CHIP 330 (1005) |
| R316 | 1-208-671-11 | s | RES, CHIP 330 (1005) |
| R317 | 1-218-941-11 | s | RES, CHIP 100 (1005) |
| R318 | 1-208-683-11 | s | RES, CHIP 1.0K (1005) |
| R320 | 1-208-683-11 | s | RES, CHIP 1.0K (1005) |
| R321 | 1-218-941-11 | s | RES, CHIP 100 (1005) |
| R400 | 1-208-935-81 | s | RES, CHIP 100K (1005) |
| R401 | 1-208-935-81 | s | RES, CHIP 100K (1005) |
| R402 | 1-208-911-81 | s | RES, CHIP 10K (1005) |
| R403 | 1-208-911-81 | s | RES, CHIP 10K (1005) |
| R404 | 1-208-911-81 | s | RES, CHIP 10K (1005) |
| R405 | 1-208-911-81 | s | RES, CHIP 10K (1005) |
| R406 | 1-208-911-81 | s | RES, CHIP 10K (1005) |
| R407 | 1-208-911-81 | s | RES, CHIP 10K (1005) |
| R408 | 1-208-911-81 | s | RES, CHIP 10K (1005) |
| R409 | 1-208-935-81 | s | RES, CHIP 100K (1005) |
| R410 | 1-208-935-81 | s | RES, CHIP 100K (1005) |
| R411 | 1-208-699-11 | s | RES, CHIP 4.7K (1005) |

(PR-308 BOARD)

| Ref. No. or Q'ty | Part No. | SP | Description |
|---------------------|--------------|----|----------------------------|
| R605 | 1-208-935-81 | s | RES, CHIP 100K (1005) |
| R606 | 1-208-935-81 | s | RES, CHIP 100K (1005) |
| R607 | 1-218-990-81 | s | CONDUCTOR, CHIP (1005) |
| R608 | 1-218-990-81 | s | CONDUCTOR, CHIP (1005) |
| R609 | 1-218-990-81 | s | CONDUCTOR, CHIP (1005) |
| R610 | 1-218-990-81 | s | CONDUCTOR, CHIP (1005) |
| R611 | 1-218-990-81 | s | CONDUCTOR, CHIP (1005) |
| R612 | 1-218-990-81 | s | CONDUCTOR, CHIP (1005) |
| R617 | 1-218-990-81 | s | CONDUCTOR, CHIP (1005) |
| R618 | 1-208-935-81 | s | RES, CHIP 100K (1005) |
| R619 | 1-208-935-81 | s | RES, CHIP 100K (1005) |
| R620 | 1-218-990-81 | s | CONDUCTOR, CHIP (1005) |
| R622 | 1-208-695-11 | s | RES, CHIP 3.3K (1005) |
| R623 | 1-218-990-81 | s | CONDUCTOR, CHIP (1005) |
| R624 | 1-218-990-81 | s | CONDUCTOR, CHIP (1005) |
| R625 | 1-218-990-81 | s | CONDUCTOR, CHIP (1005) |
| R626 | 1-218-990-81 | s | CONDUCTOR, CHIP (1005) |
| R627 | 1-218-990-81 | s | CONDUCTOR, CHIP (1005) |
| R628 | 1-218-990-81 | s | CONDUCTOR, CHIP (1005) |
| R629 | 1-218-990-81 | s | CONDUCTOR, CHIP (1005) |
| R630 | 1-218-990-81 | s | CONDUCTOR, CHIP (1005) |
| R631 | 1-218-990-81 | s | CONDUCTOR, CHIP (1005) |
| R632 | 1-218-990-81 | s | CONDUCTOR, CHIP (1005) |
| R633 | 1-218-990-81 | s | CONDUCTOR, CHIP (1005) |
| R634 | 1-208-883-81 | s | RES, CHIP 680 (1005) |
| R635 | 1-218-990-81 | s | CONDUCTOR, CHIP (1005) |
| R637 | 1-218-990-81 | s | CONDUCTOR, CHIP (1005) |
| R641 | 1-218-990-81 | s | CONDUCTOR, CHIP (1005) |
| R642 | 1-218-990-81 | s | CONDUCTOR, CHIP (1005) |
| RB400 | 1-234-378-21 | s | RES, NETWORK 10K (1005X4) |
| RB401 | 1-234-378-21 | s | RES, NETWORK 10K (1005X4) |
| RB402 | 1-234-378-21 | s | RES, NETWORK 10K (1005X4) |
| RB403 | 1-234-378-21 | s | RES, NETWORK 10K (1005X4) |
| RB404 | 1-234-378-21 | s | RES, NETWORK 10K (1005X4) |
| RB405 | 1-234-378-21 | s | RES, NETWORK 10K (1005X4) |
| RB406 | 1-234-378-21 | s | RES, NETWORK 10K (1005X4) |
| RB407 | 1-234-378-21 | s | RES, NETWORK 10K (1005X4) |
| RB408 | 1-234-378-21 | s | RES, NETWORK 10K (1005X4) |
| RB409 | 1-234-381-21 | s | RES, NETWORK 100K (1005X4) |
| RB410 | 1-234-381-21 | s | RES, NETWORK 100K (1005X4) |
| RB411 | 1-234-381-21 | s | RES, NETWORK 100K (1005X4) |
| RB412 | 1-234-381-21 | s | RES, NETWORK 100K (1005X4) |
| RB413 | 1-234-372-21 | s | RES, NETWORK 100 (1005X4) |
| RB414 | 1-234-372-21 | s | RES, NETWORK 100 (1005X4) |
| RB415 | 1-234-372-21 | s | RES, NETWORK 100 (1005X4) |
| RB416 | 1-234-381-21 | s | RES, NETWORK 100K (1005X4) |
| RB417 | 1-234-378-21 | s | RES, NETWORK 10K (1005X4) |
| S400 | 1-692-270-41 | s | SWITCH, SLIDE |
| S401 | 1-692-271-41 | s | SWITCH, SLIDE |
| TP1 | 1-535-877-22 | s | CHIP, CHECKER |
| TP11 | 1-535-877-22 | s | CHIP, CHECKER |
| TP12 | 1-535-877-22 | s | CHIP, CHECKER |
| TP21 | 1-535-877-22 | s | CHIP, CHECKER |
| TP22 | 1-535-877-22 | s | CHIP, CHECKER |
| TP100 | 1-535-877-22 | s | CHIP, CHECKER |
| TP200 | 1-535-877-22 | s | CHIP, CHECKER |
| TP300 | 1-535-877-22 | s | CHIP, CHECKER |
| TP400 | 1-535-877-22 | s | CHIP, CHECKER |
| TP401 | 1-535-877-22 | s | CHIP, CHECKER |

PR-309 BOARD

*a:[SUFFIX:-12]

| Ref. No. or Q'ty | Part No. | SP | Description |
|---------------------|--------------|----|--------------------------------|
| lpc | A-1258-012-A | s | MOUNTED CIRCUIT BOARD, PR-309 |
| lpc | 4-937-336-12 | s | HOLDER, LED |
| C1 | 1-100-916-11 | s | CAP, CERAMIC 0.1MF X7R 1005 |
| C2 | 1-165-871-21 | s | CAP, ELECT 22MF (4.0X5.5) |
| C3 | 1-100-916-11 | s | CAP, CERAMIC 0.1MF X7R 1005 |
| C4 | 1-165-871-21 | s | CAP, ELECT 22MF (4.0X5.5) |
| C5 | 1-100-916-11 | s | CAP, CERAMIC 0.1MF X7R 1005 |
| C6 | 1-112-158-21 | s | CAP, ELECT 470MF (8X6.7) |
| C7 | 1-100-916-11 | s | CAP, CERAMIC 0.1MF X7R 1005 |
| C8 | 1-112-158-21 | s | CAP, ELECT 470MF (8X6.7) |
| C9 | 1-100-916-11 | s | CAP, CERAMIC 0.1MF X7R 1005 |
| C10 | 1-100-916-11 | s | CAP, CERAMIC 0.1MF X7R 1005 |
| C11 | 1-100-916-11 | s | CAP, CERAMIC 0.1MF X7R 1005 |
| C14 | 1-100-916-11 | s | CAP, CERAMIC 0.1MF X7R 1005 |
| C15 | 1-100-916-11 | s | CAP, CERAMIC 0.1MF X7R 1005 |
| C16 | 1-100-916-11 | s | CAP, CERAMIC 0.1MF X7R 1005 |
| C17 | 1-100-916-11 | s | CAP, CERAMIC 0.1MF X7R 1005 |
| C18 | 1-100-916-11 | s | CAP, CERAMIC 0.1MF X7R 1005 |
| C19 | 1-112-777-11 | s | CAP, CERAMIC 0.01MF X7R 1005 |
| C20 | 1-100-916-11 | s | CAP, CERAMIC 0.1MF X7R 1005 |
| C21 | 1-112-692-11 | s | CAP,CHIP CERAMIC1000PF CH 1005 |
| C22 | 1-100-916-11 | s | CAP, CERAMIC 0.1MF X7R 1005 |
| C23 | 1-100-916-11 | s | CAP, CERAMIC 0.1MF X7R 1005 |
| C24 | 1-100-916-11 | s | CAP, CERAMIC 0.1MF X7R 1005 |
| C25 | 1-100-916-11 | s | CAP, CERAMIC 0.1MF X7R 1005 |
| C26 | 1-100-916-11 | s | CAP, CERAMIC 0.1MF X7R 1005 |
| C27 | 1-100-916-11 | s | CAP, CERAMIC 0.1MF X7R 1005 |
| C28 | 1-112-777-11 | s | CAP, CERAMIC 0.01MF X7R 1005 |
| C29 | 1-100-916-11 | s | CAP, CERAMIC 0.1MF X7R 1005 |
| C30 | 1-100-909-11 | s | CAP, CERAMIC 10MF X6S 2012 |
| C31 | 1-100-916-11 | s | CAP, CERAMIC 0.1MF X7R 1005 |
| C32 | 1-100-916-11 | s | CAP, CERAMIC 0.1MF X7R 1005 |
| C33 | 1-100-909-11 | s | CAP, CERAMIC 10MF X6S 2012 |
| C34 | 1-112-777-11 | s | CAP, CERAMIC 0.01MF X7R 1005 |
| C35 | 1-100-916-11 | s | CAP, CERAMIC 0.1MF X7R 1005 |
| C36 | 1-100-909-11 | s | CAP, CERAMIC 10MF X6S 2012 |
| C37 | 1-100-916-11 | s | CAP, CERAMIC 0.1MF X7R 1005 |
| C45 | 1-128-702-81 | s | CAP,CHIP CERAMIC 11PF CH(1005) |
| C46 | 1-128-702-81 | s | CAP,CHIP CERAMIC 11PF CH(1005) |
| C47 | 1-100-916-11 | s | CAP, CERAMIC 0.1MF X7R 1005 |
| C51 | 1-100-916-11 | s | CAP, CERAMIC 0.1MF X7R 1005 |
| C52 | 1-100-909-11 | s | CAP, CERAMIC 10MF X6S 2012 |
| C53 | 1-100-916-11 | s | CAP, CERAMIC 0.1MF X7R 1005 |
| C100 | 1-112-691-11 | s | CAP, CERAMIC 22MF R 3225 |
| C101 | 1-100-916-11 | s | CAP, CERAMIC 0.1MF X7R 1005 |
| C102 | 1-112-067-11 | s | CAP, CERAMIC 0.22MF X7R 1608 |
| C103 | 1-100-916-11 | s | CAP, CERAMIC 0.1MF X7R 1005 |
| C104 | 1-112-691-11 | s | CAP, CERAMIC 22MF R 3225 |
| C105 | 1-100-916-11 | s | CAP, CERAMIC 0.1MF X7R 1005 |
| C106 | 1-100-916-11 | s | CAP, CERAMIC 0.1MF X7R 1005 |
| C107 | 1-100-916-11 | s | CAP, CERAMIC 0.1MF X7R 1005 |
| C108 | 1-100-916-11 | s | CAP, CERAMIC 0.1MF X7R 1005 |
| C109 | 1-100-916-11 | s | CAP, CERAMIC 0.1MF X7R 1005 |
| C110 | 1-100-916-11 | s | CAP, CERAMIC 0.1MF X7R 1005 |
| C111 | 1-100-916-11 | s | CAP, CERAMIC 0.1MF X7R 1005 |
| C112 | 1-100-916-11 | s | CAP, CERAMIC 0.1MF X7R 1005 |

(PR-309 BOARD)

| Ref. No. or Q'ty | Part No. | SP | Description |
|---------------------|--------------|----|--------------------------------|
| C302 | 1-100-916-11 | s | CAP, CERAMIC 0.1MF X7R 1005 |
| C303 | 1-100-916-11 | s | CAP, CERAMIC 0.1MF X7R 1005 |
| C304 | 1-100-916-11 | s | CAP, CERAMIC 0.1MF X7R 1005 |
| C305 | 1-100-916-11 | s | CAP, CERAMIC 0.1MF X7R 1005 |
| C306 | 1-100-916-11 | s | CAP, CERAMIC 0.1MF X7R 1005 |
| C307 | 1-100-916-11 | s | CAP, CERAMIC 0.1MF X7R 1005 |
| C308 | 1-100-916-11 | s | CAP, CERAMIC 0.1MF X7R 1005 |
| C309 | 1-100-916-11 | s | CAP, CERAMIC 0.1MF X7R 1005 |
| C310 | 1-100-916-11 | s | CAP, CERAMIC 0.1MF X7R 1005 |
| C311 | 1-112-046-11 | s | CAP, CERAMIC 4.7MF X6S 2012 |
| C312 | 1-112-046-11 | s | CAP, CERAMIC 4.7MF X6S 2012 |
| C313 | 1-100-916-11 | s | CAP, CERAMIC 0.1MF X7R 1005 |
| C314 | 1-100-916-11 | s | CAP, CERAMIC 0.1MF X7R 1005 |
| C315 | 1-100-916-11 | s | CAP, CERAMIC 0.1MF X7R 1005 |
| C316 | 1-100-916-11 | s | CAP, CERAMIC 0.1MF X7R 1005 |
| C317 | 1-100-916-11 | s | CAP, CERAMIC 0.1MF X7R 1005 |
| C318 | 1-100-916-11 | s | CAP, CERAMIC 0.1MF X7R 1005 |
| C319 | 1-100-916-11 | s | CAP, CERAMIC 0.1MF X7R 1005 |
| C320 | 1-100-916-11 | s | CAP, CERAMIC 0.1MF X7R 1005 |
| C321 | 1-100-916-11 | s | CAP, CERAMIC 0.1MF X7R 1005 |
| C322 | 1-100-916-11 | s | CAP, CERAMIC 0.1MF X7R 1005 |
| C323 | 1-100-916-11 | s | CAP, CERAMIC 0.1MF X7R 1005 |
| C324 | 1-112-046-11 | s | CAP, CERAMIC 4.7MF X6S 2012 |
| C325 | 1-112-046-11 | s | CAP, CERAMIC 4.7MF X6S 2012 |
| C326 | 1-112-691-11 | s | CAP, CERAMIC 22MF R 3225 |
| C400 | 1-100-916-11 | s | CAP, CERAMIC 0.1MF X7R 1005 |
| C401 | 1-100-916-11 | s | CAP, CERAMIC 0.1MF X7R 1005 |
| C402 | 1-114-130-11 | s | CAP, CERAMIC 1MF X6S 1005 |
| C403 | 1-100-916-11 | s | CAP, CERAMIC 0.1MF X7R 1005 |
| C404 | 1-114-130-11 | s | CAP, CERAMIC 1MF X6S 1005 |
| C405 | 1-100-916-11 | s | CAP, CERAMIC 0.1MF X7R 1005 |
| C406 | 1-114-130-11 | s | CAP, CERAMIC 1MF X6S 1005 |
| CN3 | 1-778-651-31 | s | CONNECTOR, FFC/FPC(ZIF) ST 40P |
| CN4 | 1-778-650-31 | s | CONNECTOR, FFC/FPC(ZIF) ST 30P |
| CN5 | 1-820-560-11 | s | CONNECTOR, COAXIAL(RECEPTACLE) |
| D100 | 8-719-063-83 | s | DIODE CL-196YG-CD-T |
| D101 | 8-719-063-83 | s | DIODE CL-196YG-CD-T |
| D102 | 8-719-063-83 | s | DIODE CL-196YG-CD-T |
| D401 | 8-719-085-33 | s | DIODE SLI-343URCT32WST |
| D402 | 8-719-085-33 | s | DIODE SLI-343URCT32WST |
| FB1 | 1-400-832-21 | s | SMD EMI FERRITE |
| FB2 | 1-400-832-21 | s | SMD EMI FERRITE |
| FL400 | 1-234-490-21 | s | FILTER, EMI |
| FL401 | 1-234-490-21 | s | FILTER, EMI |
| FL402 | 1-234-490-21 | s | FILTER, EMI |
| FL403 | 1-234-490-21 | s | FILTER, EMI |
| FL404 | 1-234-490-21 | s | FILTER, EMI |
| FL405 | 1-234-490-21 | s | FILTER, EMI |
| FL406 | 1-234-490-21 | s | FILTER, EMI |
| FL407 | 1-234-490-21 | s | FILTER, EMI |
| IC1 | 6-708-816-01 | s | IC ADV7403BSTZ-110 |
| IC101 | 6-706-771-01 | s | IC CY22395FZXCT-1 |
| IC102 | 8-759-829-30 | s | IC CY2305SXC-1HT |
| IC103 | 6-709-646-01 | s | IC TLC2933AIPWR |
| IC104 | 8-759-679-55 | s | IC SN74LVC08APWR |
| IC105 | 8-759-592-47 | s | IC TC7SZ08FU(TE85R) |
| IC106 | 8-759-330-14 | s | IC TL7700CPS-E20 |

(PR-309 BOARD)

| Ref. No. or Q'ty | Part No. | SP | Description |
|---------------------|-----------------|----|-------------------------------|
| IC107 | 6-706-088-01 | s | IC UPD6467GR-560-E2 |
| IC201 | 8-759-592-49 | s | IC TC7SZ125FU(TE85R) |
| IC300 | 6-707-726-01 | s | IC EDS6432AFTA-6B-E |
| IC301 | 6-707-726-01 | s | IC EDS6432AFTA-6B-E |
| IC400 | 8-759-592-49 | s | IC TC7SZ125FU(TE85R) |
| JC401 | 1-218-990-81 | s | CONDUCTOR, CHIP (1005) |
| L1 | 1-469-551-21 | s | INDUCTOR, CHIP 2.2UH (LB2016) |
| L2 | 1-469-551-21 | s | INDUCTOR, CHIP 2.2UH (LB2016) |
| L3 | 1-469-551-21 | s | INDUCTOR, CHIP 2.2UH (LB2016) |
| L4 | 1-469-551-21 | s | INDUCTOR, CHIP 2.2UH (LB2016) |
| L100 | 1-414-398-41 | s | INDUCTOR (SMD) 10.0UH |
| L101 | 1-414-394-41 | s | INDUCTOR (SMD) 2.2UH |
| L102 | 1-414-394-41 | s | INDUCTOR (SMD) 2.2UH |
| L103 | 1-414-394-41 | s | INDUCTOR (SMD) 2.2UH |
| L104 | 1-414-394-41 | s | INDUCTOR (SMD) 2.2UH |
| L105 | 1-414-394-41 | s | INDUCTOR (SMD) 2.2UH |
| L106 | 1-469-551-21 | s | INDUCTOR, CHIP 2.2UH (LB2016) |
| L107 | 1-414-394-41 | s | INDUCTOR (SMD) 2.2UH |
| L200 | 1-414-398-41 | s | INDUCTOR (SMD) 10.0UH |
| L201 | 1-414-394-41 | s | INDUCTOR (SMD) 2.2UH |
| L202 | 1-414-394-41 | s | INDUCTOR (SMD) 2.2UH |
| L300 | 1-416-344-21 | s | COIL, CHOKE 10UH |
| R1 | 1-208-643-11 | s | RES, CHIP 22 (1005) |
| R2 | 1-208-643-11 | s | RES, CHIP 22 (1005) |
| R3 | 1-208-643-11 | s | RES, CHIP 22 (1005) |
| R4 | 1-208-643-11 | s | RES, CHIP 22 (1005) |
| R5 | 1-208-643-11 | s | RES, CHIP 22 (1005) |
| R6 | 1-208-643-11 | s | RES, CHIP 22 (1005) |
| R7 | 1-218-989-11 | s | RES, CHIP 1M (1005) |
| R8 | 1-208-643-11 | s | RES, CHIP 22 (1005) |
| R9 | 1-208-683-11 | s | RES, CHIP 1.0K (1005) |
| R10 | 1-208-879-81 | s | RES, CHIP 470 (1005) |
| R11 | 1-218-941-11 | s | RES, CHIP 100 (1005) |
| R12 | 1-218-941-11 | s | RES, CHIP 100 (1005) |
| R13 | 1-218-941-11 | s | RES, CHIP 100 (1005) |
| R14 | 1-218-941-11 | s | RES, CHIP 100 (1005) |
| R15 | 1-218-941-11 | s | RES, CHIP 100 (1005) |
| R16 | 1-218-941-11 | s | RES, CHIP 100 (1005) |
| R17 | 1-218-941-11 | s | RES, CHIP 100 (1005) |
| R18 | 1-218-941-11 | s | RES, CHIP 100 (1005) |
| R19 | 1-218-990-81 | s | CONDUCTOR, CHIP (1005) |
| R21 | 1-218-958-11 | s | RES, CHIP 2.7K (1005) |
| R22 | 1-218-958-11 | s | RES, CHIP 2.7K (1005) |
| R31 | 1-208-643-11 | s | RES, CHIP 22 (1005) |
| R32 | 1-218-990-81 | s | CONDUCTOR, CHIP (1005) |
| R51 | 1-218-990-81 | s | CONDUCTOR, CHIP (1005) |
| R52 | 1-218-990-81 | s | CONDUCTOR, CHIP (1005) |
| R53 | *a 1-218-990-81 | s | CONDUCTOR, CHIP (1005) |
| R54 | *a 1-218-990-81 | s | CONDUCTOR, CHIP (1005) |
| R55 | *a 1-218-990-81 | s | CONDUCTOR, CHIP (1005) |
| R56 | *a 1-218-990-81 | s | CONDUCTOR, CHIP (1005) |
| R57 | *a 1-218-990-81 | s | CONDUCTOR, CHIP (1005) |
| R58 | *a 1-218-990-81 | s | CONDUCTOR, CHIP (1005) |
| R59 | *a 1-218-990-81 | s | CONDUCTOR, CHIP (1005) |
| R100 | 1-208-855-81 | s | RES, CHIP 47 (1005) |
| R101 | 1-208-855-81 | s | RES, CHIP 47 (1005) |
| R102 | 1-218-941-11 | s | RES, CHIP 100 (1005) |

(PR-309 BOARD)

| Ref. No. or Q'ty | Part No. | SP Description |
|---------------------|--------------|--------------------------|
| R103 | 1-208-855-81 | s RES, CHIP 47 (1005) |
| R104 | 1-208-683-11 | s RES, CHIP 1.0K (1005) |
| R105 | 1-218-990-81 | s CONDUCTOR, CHIP (1005) |
| R106 | 1-218-990-81 | s CONDUCTOR, CHIP (1005) |
| R107 | 1-208-855-81 | s RES, CHIP 47 (1005) |
| R108 | 1-208-935-81 | s RES, CHIP 100K (1005) |
| R109 | 1-208-935-81 | s RES, CHIP 100K (1005) |
| R110 | 1-218-990-81 | s CONDUCTOR, CHIP (1005) |
| R111 | 1-208-935-81 | s RES, CHIP 100K (1005) |
| R112 | 1-208-935-81 | s RES, CHIP 100K (1005) |
| R113 | 1-208-935-81 | s RES, CHIP 100K (1005) |
| R116 | 1-208-911-81 | s RES, CHIP 10K (1005) |
| R117 | 1-208-683-11 | s RES, CHIP 1.0K (1005) |
| R118 | 1-208-935-81 | s RES, CHIP 100K (1005) |
| R119 | 1-208-935-81 | s RES, CHIP 100K (1005) |
| R120 | 1-208-935-81 | s RES, CHIP 100K (1005) |
| R121 | 1-208-935-81 | s RES, CHIP 100K (1005) |
| R122 | 1-208-935-81 | s RES, CHIP 100K (1005) |
| R123 | 1-208-935-81 | s RES, CHIP 100K (1005) |
| R124 | 1-220-882-81 | s RES, CHIP 33 (1005) |
| R127 | 1-208-683-11 | s RES, CHIP 1.0K (1005) |
| R128 | 1-208-935-81 | s RES, CHIP 100K (1005) |
| R129 | 1-208-699-11 | s RES, CHIP 4.7K (1005) |
| R130 | 1-218-990-81 | s CONDUCTOR, CHIP (1005) |
| R131 | 1-208-695-11 | s RES, CHIP 3.3K (1005) |
| R132 | 1-208-857-81 | s RES, CHIP 56 (1005) |
| R133 | 1-208-855-81 | s RES, CHIP 47 (1005) |
| R136 | 1-208-939-81 | s RES, CHIP 150K (1005) |
| R137 | 1-208-715-11 | s RES, CHIP 22K (1005) |
| R138 | 1-208-711-11 | s RES, CHIP 15K (1005) |
| R139 | 1-208-855-81 | s RES, CHIP 47 (1005) |
| R140 | 1-208-643-11 | s RES, CHIP 22 (1005) |
| R141 | 1-208-643-11 | s RES, CHIP 22 (1005) |
| R144 | 1-208-871-81 | s RES, CHIP 220 (1005) |
| R145 | 1-208-871-81 | s RES, CHIP 220 (1005) |
| R146 | 1-208-871-81 | s RES, CHIP 220 (1005) |
| R147 | 1-218-990-81 | s CONDUCTOR, CHIP (1005) |
| R148 | 1-208-935-81 | s RES, CHIP 100K (1005) |
| R149 | 1-208-935-81 | s RES, CHIP 100K (1005) |
| R150 | 1-218-989-11 | s RES, CHIP 1M (1005) |
| R151 | 1-218-990-81 | s CONDUCTOR, CHIP (1005) |
| R152 | 1-218-941-11 | s RES, CHIP 100 (1005) |
| R153 | 1-218-941-11 | s RES, CHIP 100 (1005) |
| R156 | 1-208-857-81 | s RES, CHIP 56 (1005) |
| R157 | 1-218-990-81 | s CONDUCTOR, CHIP (1005) |
| R158 | 1-218-990-81 | s CONDUCTOR, CHIP (1005) |
| R160 | 1-218-990-81 | s CONDUCTOR, CHIP (1005) |
| R161 | 1-218-990-81 | s CONDUCTOR, CHIP (1005) |
| R162 | 1-208-911-81 | s RES, CHIP 10K (1005) |
| R163 | 1-208-911-81 | s RES, CHIP 10K (1005) |
| R164 | 1-208-643-11 | s RES, CHIP 22 (1005) |
| R165 | 1-208-643-11 | s RES, CHIP 22 (1005) |
| R166 | 1-208-643-11 | s RES, CHIP 22 (1005) |
| R167 | 1-208-643-11 | s RES, CHIP 22 (1005) |
| R168 | 1-208-911-81 | s RES, CHIP 10K (1005) |
| R169 | 1-208-911-81 | s RES, CHIP 10K (1005) |
| R170 | 1-208-911-81 | s RES, CHIP 10K (1005) |
| R172 | 1-218-990-81 | s CONDUCTOR, CHIP (1005) |
| R173 | 1-218-990-81 | s CONDUCTOR, CHIP (1005) |

(PR-309 BOARD)

| Ref. No. or Q'ty | Part No. | SP Description |
|---------------------|-----------------|----------------------------------|
| R174 | 1-218-990-81 | s CONDUCTOR, CHIP (1005) |
| R175 | 1-218-990-81 | s CONDUCTOR, CHIP (1005) |
| R176 | 1-218-990-81 | s CONDUCTOR, CHIP (1005) |
| R177 | 1-218-990-81 | s CONDUCTOR, CHIP (1005) |
| R178 | 1-218-990-81 | s CONDUCTOR, CHIP (1005) |
| R179 | 1-218-990-81 | s CONDUCTOR, CHIP (1005) |
| R180 | 1-208-935-81 | s RES, CHIP 100K (1005) |
| R181 | 1-208-935-81 | s RES, CHIP 100K (1005) |
| R182 | 1-208-935-81 | s RES, CHIP 100K (1005) |
| R183 | 1-218-990-81 | s CONDUCTOR, CHIP (1005) |
| R184 | 1-218-990-81 | s CONDUCTOR, CHIP (1005) |
| R185 | 1-218-990-81 | s CONDUCTOR, CHIP (1005) |
| R186 | 1-218-990-81 | s CONDUCTOR, CHIP (1005) |
| R187 | 1-218-990-81 | s CONDUCTOR, CHIP (1005) |
| R188 | 1-208-935-81 | s RES, CHIP 100K (1005) |
| R190 | 1-218-990-81 | s CONDUCTOR, CHIP (1005) |
| R191 | 1-208-911-81 | s RES, CHIP 10K (1005) |
| R192 | 1-208-911-81 | s RES, CHIP 10K (1005) |
| R194 | 1-218-941-11 | s RES, CHIP 100 (1005) |
| R195 | 1-218-941-11 | s RES, CHIP 100 (1005) |
| R196 | 1-218-941-11 | s RES, CHIP 100 (1005) |
| R197 | 1-218-941-11 | s RES, CHIP 100 (1005) |
| R198 | 1-218-941-11 | s RES, CHIP 100 (1005) |
| R199 | 1-218-941-11 | s RES, CHIP 100 (1005) |
| R201 | 1-218-990-81 | s CONDUCTOR, CHIP (1005) |
| R203 | 1-218-990-81 | s CONDUCTOR, CHIP (1005) |
| R204 | 1-218-990-81 | s CONDUCTOR, CHIP (1005) |
| R205 | 1-208-911-81 | s RES, CHIP 10K (1005) |
| R207 | 1-218-990-81 | s CONDUCTOR, CHIP (1005) |
| R214 | 1-208-911-81 | s RES, CHIP 10K (1005) |
| R216 | 1-208-683-11 | s RES, CHIP 1.0K (1005) |
| R217 | 1-208-911-81 | s RES, CHIP 10K (1005) |
| R218 | 1-218-990-81 | s CONDUCTOR, CHIP (1005) |
| R219 | 1-218-990-81 | s CONDUCTOR, CHIP (1005) |
| R220 | 1-218-990-81 | s CONDUCTOR, CHIP (1005) |
| R221 | 1-218-990-81 | s CONDUCTOR, CHIP (1005) |
| R222 | 1-218-990-81 | s CONDUCTOR, CHIP (1005) |
| R223 | 1-218-990-81 | s CONDUCTOR, CHIP (1005) |
| R224 | 1-218-990-81 | s CONDUCTOR, CHIP (1005) |
| R226 | *a 1-218-990-81 | s CONDUCTOR, CHIP (1005) |
| R227 | *a 1-218-990-81 | s CONDUCTOR, CHIP (1005) |
| R301 | 1-208-911-81 | s RES, CHIP 10K (1005) |
| R303 | 1-208-911-81 | s RES, CHIP 10K (1005) |
| R304 | 1-208-911-81 | s RES, CHIP 10K (1005) |
| R307 | 1-218-990-81 | s CONDUCTOR, CHIP (1005) |
| R308 | 1-218-990-81 | s CONDUCTOR, CHIP (1005) |
| R310 | 1-208-635-11 | s RES, CHIP 10 (1005) |
| R311 | 1-208-635-11 | s RES, CHIP 10 (1005) |
| R402 | 1-218-990-81 | s CONDUCTOR, CHIP (1005) |
| R403 | 1-164-858-81 | s CAP, CHIP CERAMIC 22PF CH 1005 |
| R404 | 1-218-990-81 | s CONDUCTOR, CHIP (1005) |
| R405 | 1-218-990-81 | s CONDUCTOR, CHIP (1005) |
| R408 | *a 1-218-990-81 | s CONDUCTOR, CHIP (1005) |
| R412 | *a 1-218-990-81 | s CONDUCTOR, CHIP (1005) |
| R601 | 1-208-691-11 | s RES, CHIP 2.2K (1005) |
| R900 | 1-218-990-81 | s CONDUCTOR, CHIP (1005) |
| R901 | 1-218-990-81 | s CONDUCTOR, CHIP (1005) |
| R902 | 1-218-941-11 | s RES, CHIP 100 (1005) |
| R903 | 1-218-941-11 | s RES, CHIP 100 (1005) |

(PR-309 BOARD)

| Ref. No. or Q'ty | Part No. | SP | Description |
|---------------------|--------------|----|----------------------------|
| R904 | 1-218-941-11 | s | RES, CHIP 100 (1005) |
| R906 | 1-218-990-81 | s | CONDUCTOR, CHIP (1005) |
| R907 | 1-208-857-81 | s | RES, CHIP 56 (1005) |
| R908 | 1-208-857-81 | s | RES, CHIP 56 (1005) |
| R909 | 1-218-990-81 | s | CONDUCTOR, CHIP (1005) |
| RB1 | 1-234-370-21 | s | RES, NETWORK 22 (1005X4) |
| RB2 | 1-234-370-21 | s | RES, NETWORK 22 (1005X4) |
| RB3 | 1-234-370-21 | s | RES, NETWORK 22 (1005X4) |
| RB4 | 1-234-370-21 | s | RES, NETWORK 22 (1005X4) |
| RB5 | 1-234-370-21 | s | RES, NETWORK 22 (1005X4) |
| RB16 | 1-234-370-21 | s | RES, NETWORK 22 (1005X4) |
| RB100 | 1-234-378-21 | s | RES, NETWORK 10K (1005X4) |
| RB102 | 1-234-370-21 | s | RES, NETWORK 22 (1005X4) |
| RB103 | 1-234-370-21 | s | RES, NETWORK 22 (1005X4) |
| RB104 | 1-234-370-21 | s | RES, NETWORK 22 (1005X4) |
| RB105 | 1-234-370-21 | s | RES, NETWORK 22 (1005X4) |
| RB106 | 1-234-370-21 | s | RES, NETWORK 22 (1005X4) |
| RB107 | 1-234-370-21 | s | RES, NETWORK 22 (1005X4) |
| RB108 | 1-234-370-21 | s | RES, NETWORK 22 (1005X4) |
| RB109 | 1-234-370-21 | s | RES, NETWORK 22 (1005X4) |
| RB208 | 1-234-371-21 | s | RES, NETWORK 47 (1005X4) |
| RB209 | 1-234-371-21 | s | RES, NETWORK 47 (1005X4) |
| RB210 | 1-234-371-21 | s | RES, NETWORK 47 (1005X4) |
| RB211 | 1-234-371-21 | s | RES, NETWORK 47 (1005X4) |
| RB212 | 1-234-371-21 | s | RES, NETWORK 47 (1005X4) |
| RB213 | 1-234-371-21 | s | RES, NETWORK 47 (1005X4) |
| RB214 | 1-234-371-21 | s | RES, NETWORK 47 (1005X4) |
| RB215 | 1-234-371-21 | s | RES, NETWORK 47 (1005X4) |
| RB216 | 1-234-371-21 | s | RES, NETWORK 47 (1005X4) |
| RB217 | 1-234-371-21 | s | RES, NETWORK 47 (1005X4) |
| RB218 | 1-234-378-21 | s | RES, NETWORK 10K (1005X4) |
| RB219 | 1-234-378-21 | s | RES, NETWORK 10K (1005X4) |
| RB220 | 1-234-371-21 | s | RES, NETWORK 47 (1005X4) |
| RB231 | 1-234-523-21 | s | RES, CHIP NETWORK 0 (3216) |
| RB232 | 1-234-523-21 | s | RES, CHIP NETWORK 0 (3216) |
| RB233 | 1-234-523-21 | s | RES, CHIP NETWORK 0 (3216) |
| RB234 | 1-234-523-21 | s | RES, CHIP NETWORK 0 (3216) |
| RB235 | 1-234-523-21 | s | RES, CHIP NETWORK 0 (3216) |
| RB236 | 1-234-523-21 | s | RES, CHIP NETWORK 0 (3216) |
| RB237 | 1-234-523-21 | s | RES, CHIP NETWORK 0 (3216) |
| RB238 | 1-234-523-21 | s | RES, CHIP NETWORK 0 (3216) |
| RB300 | 1-234-371-21 | s | RES, NETWORK 47 (1005X4) |
| RB301 | 1-234-371-21 | s | RES, NETWORK 47 (1005X4) |
| RB302 | 1-234-371-21 | s | RES, NETWORK 47 (1005X4) |
| RB303 | 1-234-371-21 | s | RES, NETWORK 47 (1005X4) |
| RB304 | 1-234-371-21 | s | RES, NETWORK 47 (1005X4) |
| RB305 | 1-234-371-21 | s | RES, NETWORK 47 (1005X4) |
| RB306 | 1-234-371-21 | s | RES, NETWORK 47 (1005X4) |
| RB307 | 1-234-371-21 | s | RES, NETWORK 47 (1005X4) |
| RB308 | 1-234-371-21 | s | RES, NETWORK 47 (1005X4) |
| RB309 | 1-234-371-21 | s | RES, NETWORK 47 (1005X4) |
| RB310 | 1-234-371-21 | s | RES, NETWORK 47 (1005X4) |
| RB311 | 1-234-371-21 | s | RES, NETWORK 47 (1005X4) |
| RB312 | 1-234-371-21 | s | RES, NETWORK 47 (1005X4) |
| RB313 | 1-234-371-21 | s | RES, NETWORK 47 (1005X4) |
| RB314 | 1-234-371-21 | s | RES, NETWORK 47 (1005X4) |
| RB315 | 1-234-371-21 | s | RES, NETWORK 47 (1005X4) |
| TP1 | 1-535-877-22 | s | CHIP, CHECKER |

(PR-309 BOARD)

| Ref. No. or Q'ty | Part No. | SP | Description |
|---------------------|--------------|----|----------------------------------|
| TP2 | 1-535-877-22 | s | CHIP, CHECKER |
| TP3 | 1-535-877-22 | s | CHIP, CHECKER |
| TP401 | 1-535-877-22 | s | CHIP, CHECKER |
| TP402 | 1-535-877-22 | s | CHIP, CHECKER |
| X1 | 1-813-826-21 | s | VIBRATOR, CRYSTAL (28.63636 MHz) |
| X100 | 1-813-368-21 | s | OSCILLATOR, CRYSTAL |

RE-249 BOARD

(RE-249 BOARD)

| Ref. No. or Q'ty | Part No. | SP Description |
|---------------------|--------------|----------------------------------|
| 1pc | A-1258-006-A | s MOUNTED CIRCUIT BOARD, RE-249 |
| C1 | 1-125-827-91 | s CAP, CHIP CERAMIC 1MF B |
| C3 | 1-100-566-91 | s CAP, CHIP CERAMIC 0.1MF B 1608 |
| C4 | 1-100-566-91 | s CAP, CHIP CERAMIC 0.1MF B 1608 |
| C5 | 1-125-827-91 | s CAP, CHIP CERAMIC 1MF B |
| C7 | 1-112-046-11 | s CAP, CERAMIC 4.7MF X6S 2012 |
| C8 | 1-112-777-11 | s CAP, CERAMIC 0.01MF X7R 1005 |
| C9 | 1-164-874-81 | s CAP,CHIP CERAMIC 100PF CH 1005 |
| C10 | 1-112-777-11 | s CAP, CERAMIC 0.01MF X7R 1005 |
| C11 | 1-164-858-81 | s CAP, CHIP CERAMIC 22PF CH 1005 |
| C12 | 1-164-858-81 | s CAP, CHIP CERAMIC 22PF CH 1005 |
| C13 | 1-100-566-91 | s CAP, CHIP CERAMIC 0.1MF B 1608 |
| C14 | 1-100-566-91 | s CAP, CHIP CERAMIC 0.1MF B 1608 |
| C15 | 1-112-777-11 | s CAP, CERAMIC 0.01MF X7R 1005 |
| C16 | 1-112-778-11 | s CAP, CERAMIC 0.022MF X7R 1005 |
| C17 | 1-162-969-91 | s CAP, CERAMIC 6800PF B 1608 |
| C18 | 1-112-778-11 | s CAP, CERAMIC 0.022MF X7R 1005 |
| C19 | 1-162-969-91 | s CAP, CERAMIC 6800PF B 1608 |
| C20 | 1-100-909-11 | s CAP, CERAMIC 10MF X6S 2012 |
| C21 | 1-135-960-91 | s CAP, CHIP CERAMIC 10MF B(3225) |
| C22 | 1-100-566-91 | s CAP, CHIP CERAMIC 0.1MF B 1608 |
| C23 | 1-100-566-91 | s CAP, CHIP CERAMIC 0.1MF B 1608 |
| C24 | 1-100-909-11 | s CAP, CERAMIC 10MF X6S 2012 |
| C25 | 1-100-909-11 | s CAP, CERAMIC 10MF X6S 2012 |
| C26 | 1-135-960-91 | s CAP, CHIP CERAMIC 10MF B(3225) |
| C27 | 1-100-827-21 | s CAP, ELECT 150MF (8X7) |
| C28 | 1-100-909-11 | s CAP, CERAMIC 10MF X6S 2012 |
| C29 | 1-100-909-11 | s CAP, CERAMIC 10MF X6S 2012 |
| C30 | 1-135-349-21 | s CAP, ELECT 22MF (6.3X6) |
| C31 | 1-100-827-21 | s CAP, ELECT 150MF (8X7) |
| C32 | 1-100-909-11 | s CAP, CERAMIC 10MF X6S 2012 |
| C33 | 1-100-909-11 | s CAP, CERAMIC 10MF X6S 2012 |
| C34 | 1-112-777-11 | s CAP, CERAMIC 0.01MF X7R 1005 |
| C35 | 1-164-858-81 | s CAP, CHIP CERAMIC 22PF CH 1005 |
| C36 | 1-164-858-81 | s CAP, CHIP CERAMIC 22PF CH 1005 |
| C37 | 1-100-566-91 | s CAP, CHIP CERAMIC 0.1MF B 1608 |
| C38 | 1-100-566-91 | s CAP, CHIP CERAMIC 0.1MF B 1608 |
| C39 | 1-112-777-11 | s CAP, CERAMIC 0.01MF X7R 1005 |
| C40 | 1-112-778-11 | s CAP, CERAMIC 0.022MF X7R 1005 |
| C41 | 1-162-969-91 | s CAP, CERAMIC 6800PF B 1608 |
| C42 | 1-112-778-11 | s CAP, CERAMIC 0.022MF X7R 1005 |
| C43 | 1-162-969-91 | s CAP, CERAMIC 6800PF B 1608 |
| C44 | 1-100-909-11 | s CAP, CERAMIC 10MF X6S 2012 |
| C45 | 1-135-960-91 | s CAP, CHIP CERAMIC 10MF B(3225) |
| C46 | 1-100-566-91 | s CAP, CHIP CERAMIC 0.1MF B 1608 |
| C47 | 1-100-566-91 | s CAP, CHIP CERAMIC 0.1MF B 1608 |
| C48 | 1-100-909-11 | s CAP, CERAMIC 10MF X6S 2012 |
| C49 | 1-100-909-11 | s CAP, CERAMIC 10MF X6S 2012 |
| C50 | 1-135-960-91 | s CAP, CHIP CERAMIC 10MF B(3225) |
| C51 | 1-100-827-21 | s CAP, ELECT 150MF (8X7) |
| C52 | 1-135-349-21 | s CAP, ELECT 22MF (6.3X6) |
| C53 | 1-100-827-21 | s CAP, ELECT 150MF (8X7) |
| C54 | 1-100-909-11 | s CAP, CERAMIC 10MF X6S 2012 |
| C55 | 1-100-909-11 | s CAP, CERAMIC 10MF X6S 2012 |
| C56 | 1-100-909-11 | s CAP, CERAMIC 10MF X6S 2012 |
| C57 | 1-112-046-11 | s CAP, CERAMIC 4.7MF X6S 2012 |
| C58 | 1-125-827-91 | s CAP, CHIP CERAMIC 1MF B |
| C59 | 1-164-882-81 | s CAP,CHIP CERAMIC 220PF CH 1005 |

| Ref. No. or Q'ty | Part No. | SP Description |
|---------------------|--------------|----------------------------------|
| C60 | 1-112-691-11 | s CAP, CERAMIC 22MF R 3225 |
| C61 | 1-135-960-91 | s CAP, CHIP CERAMIC 10MF B(3225) |
| C62 | 1-135-960-91 | s CAP, CHIP CERAMIC 10MF B(3225) |
| C63 | 1-100-909-11 | s CAP, CERAMIC 10MF X6S 2012 |
| C64 | 1-125-827-91 | s CAP, CHIP CERAMIC 1MF B |
| C67 | 1-125-827-91 | s CAP, CHIP CERAMIC 1MF B |
| C68 | 1-100-909-11 | s CAP, CERAMIC 10MF X6S 2012 |
| C81 | 1-112-692-81 | s CAP,CHIP CERAMIC1000PF CH 1005 |
| C82 | 1-112-692-81 | s CAP,CHIP CERAMIC1000PF CH 1005 |
| C83 | 1-112-692-81 | s CAP,CHIP CERAMIC1000PF CH 1005 |
| C84 | 1-112-692-81 | s CAP,CHIP CERAMIC1000PF CH 1005 |
| C85 | 1-112-692-81 | s CAP,CHIP CERAMIC1000PF CH 1005 |
| C86 | 1-112-692-81 | s CAP,CHIP CERAMIC1000PF CH 1005 |
| C87 | 1-112-692-81 | s CAP,CHIP CERAMIC1000PF CH 1005 |
| C88 | 1-112-692-81 | s CAP,CHIP CERAMIC1000PF CH 1005 |
| CN1 | 1-793-093-91 | o CONNECTOR, BOARD TO BOARD 60P |
| CN2 | 1-784-210-21 | s CONNECTOR 7P |
| D1 | 8-719-069-28 | s DIODE 1SS400TE-61 |
| D2 | 8-719-065-59 | s DIODE MBR0530T1 |
| D3 | 8-719-065-59 | s DIODE MBR0530T1 |
| D4 | 8-719-069-28 | s DIODE 1SS400TE-61 |
| D5 | 8-719-065-59 | s DIODE MBR0530T1 |
| D6 | 8-719-065-59 | s DIODE MBR0530T1 |
| D7 | 8-719-072-43 | s DIODE RB050L-40TE25 |
| D8 | 6-501-207-01 | s DIODE CL-201HR-C-TSL |
| D11 | 8-719-083-57 | s DIODE UDZSTE-173.6B |
| D12 | 8-719-083-57 | s DIODE UDZSTE-173.6B |
| D13 | 8-719-083-57 | s DIODE UDZSTE-173.6B |
| D14 | 8-719-083-57 | s DIODE UDZSTE-173.6B |
| D15 | 8-719-083-57 | s DIODE UDZSTE-173.6B |
| D16 | 8-719-083-57 | s DIODE UDZSTE-173.6B |
| D17 | 8-719-083-57 | s DIODE UDZSTE-173.6B |
| D18 | 8-719-083-57 | s DIODE UDZSTE-173.6B |
| D19 | 8-719-069-56 | s DIODE UDZSTE-176.2B |
| D20 | 6-500-695-01 | s DIODE UDZSTE-172.7B |
| D21 | 6-500-695-01 | s DIODE UDZSTE-172.7B |
| D22 | 8-719-083-58 | s DIODE UDZSTE-173.9B |
| D23 | 8-719-083-58 | s DIODE UDZSTE-173.9B |
| D24 | 8-719-069-28 | s DIODE 1SS400TE-61 |
| E1 | 1-535-877-22 | s CHIP, CHECKER |
| E2 | 1-535-877-22 | s CHIP, CHECKER |
| IC1 | 6-707-828-01 | s IC MM1431ANRE |
| IC2 | 8-759-338-95 | s IC NJM2903V(TE2) |
| IC3 | 6-707-828-01 | s IC MM1431ANRE |
| IC4 | 8-759-338-95 | s IC NJM2903V(TE2) |
| IC5 | 6-702-510-01 | s IC TPS5120DBTRG4 |
| IC6 | 6-702-510-01 | s IC TPS5120DBTRG4 |
| IC7 | 6-705-481-01 | s IC LT1931ES5#TR |
| L1 | 1-419-630-21 | s COIL, CHOKE 4.7UH |
| L2 | 1-400-869-11 | s COIL, CHOKE 47UH |
| L3 | 1-456-622-21 | s COIL, CHOKE 1UH |
| L4 | 1-416-344-21 | s COIL, CHOKE 10UH |
| L5 | 1-456-622-21 | s COIL, CHOKE 1UH |
| L6 | 1-400-868-11 | s COIL, CHOKE 22UH |
| L7 | 1-400-869-11 | s COIL, CHOKE 47UH |
| L8 | 1-456-622-21 | s COIL, CHOKE 1UH |
| L9 | 1-456-622-21 | s COIL, CHOKE 1UH |

(RE-249 BOARD)

| Ref. No. or Q'ty | Part No. | SP | Description |
|---------------------|--------------|----|-------------------------|
| L10 | 1-416-346-21 | s | COIL, CHOKE 33UH |
| L11 | 1-416-346-21 | s | COIL, CHOKE 33UH |
| L12 | 1-456-622-21 | s | COIL, CHOKE 1UH |
| L13 | 1-456-622-21 | s | COIL, CHOKE 1UH |
| L14 | 1-456-622-21 | s | COIL, CHOKE 1UH |
| L15 | 1-456-622-21 | s | COIL, CHOKE 1UH |
| Q1 | 6-551-380-01 | s | TRANSISTOR SI4425BDY-T1 |
| Q2 | 8-729-929-27 | s | TRANSISTOR DTC114TE-TL |
| Q4 | 8-729-928-05 | s | TRANSISTOR 2SC4617TL-QR |
| Q5 | 8-729-928-28 | s | TRANSISTOR DTA144EE-TL |
| Q6 | 8-729-928-05 | s | TRANSISTOR 2SC4617TL-QR |
| Q7 | 8-729-929-27 | s | TRANSISTOR DTC114TE-TL |
| Q8 | 8-729-929-27 | s | TRANSISTOR DTC114TE-TL |
| Q9 | 8-729-928-05 | s | TRANSISTOR 2SC4617TL-QR |
| Q10 | 8-729-928-82 | s | TRANSISTOR DTC144EE-TL |
| Q11 | 8-729-928-28 | s | TRANSISTOR DTA144EE-TL |
| Q14 | 8-729-929-27 | s | TRANSISTOR DTC114TE-TL |
| Q15 | 8-729-929-27 | s | TRANSISTOR DTC114TE-TL |
| Q16 | 8-729-929-27 | s | TRANSISTOR DTC114TE-TL |
| Q17 | 8-729-929-27 | s | TRANSISTOR DTC114TE-TL |
| Q18 | 6-551-261-01 | s | TRANSISTOR SI4804BDY-T1 |
| Q19 | 6-551-261-01 | s | TRANSISTOR SI4804BDY-T1 |
| Q20 | 8-729-929-27 | s | TRANSISTOR DTC114TE-TL |
| Q21 | 8-729-929-27 | s | TRANSISTOR DTC114TE-TL |
| Q22 | 8-729-929-27 | s | TRANSISTOR DTC114TE-TL |
| Q23 | 8-729-929-27 | s | TRANSISTOR DTC114TE-TL |
| Q24 | 6-551-261-01 | s | TRANSISTOR SI4804BDY-T1 |
| Q25 | 6-551-261-01 | s | TRANSISTOR SI4804BDY-T1 |
| Q26 | 8-729-928-05 | s | TRANSISTOR 2SC4617TL-QR |
| Q27 | 8-729-928-05 | s | TRANSISTOR 2SC4617TL-QR |
| R1 | 1-208-907-81 | s | RES, CHIP 6.8K (1005) |
| R2 | 1-208-907-81 | s | RES, CHIP 6.8K (1005) |
| R3 | 1-208-907-81 | s | RES, CHIP 6.8K (1005) |
| R4 | 1-208-919-81 | s | RES, CHIP 22K (1005) |
| R5 | 1-208-919-81 | s | RES, CHIP 22K (1005) |
| R6 | 1-208-887-81 | s | RES, CHIP 1.0K (1005) |
| R7 | 1-208-907-81 | s | RES, CHIP 6.8K (1005) |
| R8 | 1-208-903-81 | s | RES, CHIP 4.7K (1005) |
| R9 | 1-218-990-81 | s | CONDUCTOR, CHIP (1005) |
| R10 | 1-208-895-81 | s | RES, CHIP 2.2K (1005) |
| R11 | 1-208-871-81 | s | RES, CHIP 220 (1005) |
| R12 | 1-208-903-81 | s | RES, CHIP 4.7K (1005) |
| R13 | 1-208-931-81 | s | RES, CHIP 68K (1005) |
| R14 | 1-208-931-81 | s | RES, CHIP 68K (1005) |
| R15 | 1-208-911-81 | s | RES, CHIP 10K (1005) |
| R16 | 1-208-911-81 | s | RES, CHIP 10K (1005) |
| R17 | 1-208-927-81 | s | RES, CHIP 47K (1005) |
| R18 | 1-208-911-81 | s | RES, CHIP 10K (1005) |
| R20 | 1-208-907-81 | s | RES, CHIP 6.8K (1005) |
| R21 | 1-208-907-81 | s | RES, CHIP 6.8K (1005) |
| R22 | 1-208-907-81 | s | RES, CHIP 6.8K (1005) |
| R23 | 1-208-927-81 | s | RES, CHIP 47K (1005) |
| R24 | 1-208-927-81 | s | RES, CHIP 47K (1005) |
| R25 | 1-208-927-81 | s | RES, CHIP 47K (1005) |
| R27 | 1-208-911-81 | s | RES, CHIP 10K (1005) |
| R28 | 1-208-915-81 | s | RES, CHIP 15K (1005) |
| R29 | 1-208-919-81 | s | RES, CHIP 22K (1005) |
| R30 | 1-208-927-81 | s | RES, CHIP 47K (1005) |

(RE-249 BOARD)

| Ref. No. or Q'ty | Part No. | SP | Description |
|---------------------|--------------|----|------------------------|
| R31 | 1-208-879-81 | s | RES, CHIP 470 (1005) |
| R32 | 1-208-903-81 | s | RES, CHIP 4.7K (1005) |
| R37 | 1-208-919-81 | s | RES, CHIP 22K (1005) |
| R38 | 1-208-935-81 | s | RES, CHIP 100K (1005) |
| R39 | 1-218-990-81 | s | CONDUCTOR, CHIP (1005) |
| R40 | 1-208-935-81 | s | RES, CHIP 100K (1005) |
| R41 | 1-208-863-81 | s | RES, CHIP 100 (1005) |
| R42 | 1-208-863-81 | s | RES, CHIP 100 (1005) |
| R43 | 1-208-863-81 | s | RES, CHIP 100 (1005) |
| R44 | 1-218-990-81 | s | CONDUCTOR, CHIP (1005) |
| R45 | 1-218-990-81 | s | CONDUCTOR, CHIP (1005) |
| R46 | 1-208-915-81 | s | RES, CHIP 15K (1005) |
| R47 | 1-208-915-81 | s | RES, CHIP 15K (1005) |
| R48 | 1-208-887-81 | s | RES, CHIP 1.0K (1005) |
| R49 | 1-208-911-81 | s | RES, CHIP 10K (1005) |
| R50 | 1-208-923-81 | s | RES, CHIP 33K (1005) |
| R51 | 1-208-927-81 | s | RES, CHIP 47K (1005) |
| R52 | 1-208-927-81 | s | RES, CHIP 47K (1005) |
| R53 | 1-208-895-81 | s | RES, CHIP 2.2K (1005) |
| R54 | 1-208-883-81 | s | RES, CHIP 680 (1005) |
| R55 | 1-208-923-81 | s | RES, CHIP 33K (1005) |
| R56 | 1-208-923-81 | s | RES, CHIP 33K (1005) |
| R57 | 1-208-927-81 | s | RES, CHIP 47K (1005) |
| R58 | 1-208-911-81 | s | RES, CHIP 10K (1005) |
| R59 | 1-208-887-81 | s | RES, CHIP 1.0K (1005) |
| R60 | 1-208-911-81 | s | RES, CHIP 10K (1005) |
| R61 | 1-208-883-81 | s | RES, CHIP 680 (1005) |
| R62 | 1-208-923-81 | s | RES, CHIP 33K (1005) |
| R63 | 1-208-927-81 | s | RES, CHIP 47K (1005) |
| R64 | 1-208-927-81 | s | RES, CHIP 47K (1005) |
| R65 | 1-218-990-81 | s | CONDUCTOR, CHIP (1005) |
| R66 | 1-218-990-81 | s | CONDUCTOR, CHIP (1005) |
| R67 | 1-208-919-81 | s | RES, CHIP 22K (1005) |
| R68 | 1-218-990-81 | s | CONDUCTOR, CHIP (1005) |
| R69 | 1-208-919-81 | s | RES, CHIP 22K (1005) |
| R70 | 1-218-990-81 | s | CONDUCTOR, CHIP (1005) |
| R71 | 1-218-990-81 | s | CONDUCTOR, CHIP (1005) |
| R72 | 1-208-919-81 | s | RES, CHIP 22K (1005) |
| R73 | 1-208-863-81 | s | RES, CHIP 100 (1005) |
| R74 | 1-208-863-81 | s | RES, CHIP 100 (1005) |
| R75 | 1-208-863-81 | s | RES, CHIP 100 (1005) |
| R76 | 1-208-935-81 | s | RES, CHIP 100K (1005) |
| R77 | 1-208-895-81 | s | RES, CHIP 2.2K (1005) |
| R78 | 1-208-927-81 | s | RES, CHIP 47K (1005) |
| R79 | 1-208-919-81 | s | RES, CHIP 22K (1005) |
| R80 | 1-208-887-81 | s | RES, CHIP 1.0K (1005) |
| R81 | 1-208-911-81 | s | RES, CHIP 10K (1005) |
| R82 | 1-208-927-81 | s | RES, CHIP 47K (1005) |
| R83 | 1-208-927-81 | s | RES, CHIP 47K (1005) |
| R84 | 1-208-927-81 | s | RES, CHIP 47K (1005) |
| R85 | 1-208-895-81 | s | RES, CHIP 2.2K (1005) |
| R86 | 1-208-883-81 | s | RES, CHIP 680 (1005) |
| R87 | 1-208-927-81 | s | RES, CHIP 47K (1005) |
| R88 | 1-208-927-81 | s | RES, CHIP 47K (1005) |
| R89 | 1-208-923-81 | s | RES, CHIP 33K (1005) |
| R90 | 1-208-911-81 | s | RES, CHIP 10K (1005) |
| R91 | 1-208-887-81 | s | RES, CHIP 1.0K (1005) |
| R92 | 1-208-919-81 | s | RES, CHIP 22K (1005) |
| R93 | 1-208-883-81 | s | RES, CHIP 680 (1005) |

(RE-249 BOARD)

| Ref. No. or Q'ty | Part No. | SP Description |
|---------------------|----------------|--------------------------|
| R94 | 1-208-923-81 | s RES, CHIP 33K (1005) |
| R95 | 1-208-923-81 | s RES, CHIP 33K (1005) |
| R96 | 1-208-923-81 | s RES, CHIP 33K (1005) |
| R98 | 1-218-990-81 | s CONDUCTOR, CHIP (1005) |
| R99 | 1-208-919-81 | s RES, CHIP 22K (1005) |
| R100 | 1-218-990-81 | s CONDUCTOR, CHIP (1005) |
| R101 | 1-208-919-81 | s RES, CHIP 22K (1005) |
| R102 | 1-218-990-81 | s CONDUCTOR, CHIP (1005) |
| R103 | 1-218-990-81 | s CONDUCTOR, CHIP (1005) |
| R104 | 1-208-907-81 | s RES, CHIP 6.8K (1005) |
| R105 | 1-208-915-81 | s RES, CHIP 15K (1005) |
| R106 | 1-208-923-81 | s RES, CHIP 33K (1005) |
| R107 | 1-208-931-81 | s RES, CHIP 68K (1005) |
| R108 | 1-208-931-81 | s RES, CHIP 68K (1005) |
| R109 | 1-208-911-81 | s RES, CHIP 10K (1005) |
| R111 | 1-208-863-81 | s RES, CHIP 100 (1005) |
| R112 | 1-208-863-81 | s RES, CHIP 100 (1005) |
| R113 | 1-208-863-81 | s RES, CHIP 100 (1005) |
| R114 | 1-208-863-81 | s RES, CHIP 100 (1005) |
| R115 | 1-208-863-81 | s RES, CHIP 100 (1005) |
| R116 | 1-208-863-81 | s RES, CHIP 100 (1005) |
| R117 | 1-208-863-81 | s RES, CHIP 100 (1005) |
| R118 | 1-208-863-81 | s RES, CHIP 100 (1005) |
| R119 | 1-218-990-81 | s CONDUCTOR, CHIP (1005) |
| R120 | 1-218-990-81 | s CONDUCTOR, CHIP (1005) |
| R126 | 1-208-923-81 | s RES, CHIP 33K (1005) |
| R127 | 1-208-923-81 | s RES, CHIP 33K (1005) |
| R128 | 1-208-899-81 | s RES, CHIP 3.3K (1005) |
| R129 | 1-208-927-81 | s RES, CHIP 47K (1005) |
| R130 | 1-208-927-81 | s RES, CHIP 47K (1005) |
| R131 | 1-208-923-81 | s RES, CHIP 33K (1005) |
| R132 | 1-218-990-81 | s CONDUCTOR, CHIP (1005) |
| R133 | 1-208-935-81 | s RES, CHIP 100K (1005) |
| R136 | 1-208-871-81 | s RES, CHIP 220 (1005) |
| R151 | 1-208-863-81 | s RES, CHIP 100 (1005) |
| R152 | 1-208-919-81 | s RES, CHIP 22K (1005) |
| R153 | 1-208-903-81 | s RES, CHIP 4.7K (1005) |
| R154 | 1-208-903-81 | s RES, CHIP 4.7K (1005) |
| R155 | 1-208-903-81 | s RES, CHIP 4.7K (1005) |
| R156 | 1-208-895-81 | s RES, CHIP 2.2K (1005) |
| S1 | 1-762-020-11 | s SWITCH, TOGGLE |
| S2 | 1-762-019-11 | s SWITCH, TOGGLE |
| S3 | 1-762-489-11 | s SWITCH, TOGGLE |
| S4 | 1-762-400-21 | s SWITCH |
| S5 | 1-762-400-21 | s SWITCH |
| THP1 | △ 1-802-063-21 | s THERMISTOR, POSITIVE |
| TP1 | 1-535-877-22 | s CHIP, CHECKER |
| TP2 | 1-535-877-22 | s CHIP, CHECKER |
| TP3 | 1-535-877-22 | s CHIP, CHECKER |
| TP4 | 1-535-877-22 | s CHIP, CHECKER |
| TP5 | 1-535-877-22 | s CHIP, CHECKER |
| TP6 | 1-535-877-22 | s CHIP, CHECKER |

SW-1366 BOARD

| Ref. No. or Q'ty | Part No. | SP Description |
|---------------------|--------------|----------------------------------|
| 1pc | A-1258-016-A | s MOUNTED CIRCUIT BOARD, SW-1366 |
| C1 | 1-112-691-11 | s CAP, CERAMIC 22MF R 3225 |
| C2 | 1-100-916-11 | s CAP, CERAMIC 0.1MF X7R 1005 |
| CN1 | 1-770-624-21 | s PIN, CONNECTOR 7P |
| D1 | 8-719-083-57 | s DIODE UDZSTE-173.6B |
| D2 | 8-719-083-57 | s DIODE UDZSTE-173.6B |
| FB1 | 1-414-864-21 | s FERRITE, EMI (SMD) (1608) |
| R1 | 1-208-863-81 | s RES, CHIP 100 (1005) |
| R2 | 1-208-863-81 | s RES, CHIP 100 (1005) |
| R3 | 1-208-863-81 | s RES, CHIP 100 (1005) |
| R4 | 1-208-863-81 | s RES, CHIP 100 (1005) |
| R5 | 1-208-863-81 | s RES, CHIP 100 (1005) |
| RV1 | 1-238-293-11 | s RES, VAR, CARBON 10K |
| RV2 | 1-238-293-11 | s RES, VAR, CARBON 10K |
| RV3 | 1-238-293-11 | s RES, VAR, CARBON 10K |
| S1 | 1-692-538-11 | s SWITCH, TACTIL |
| S2 | 1-762-400-21 | s SWITCH |

4-4. Packing Materials & Supplied Accessories

PACKING MATERIALS & SUPPLIED ACCESSORIES

| Ref. No. or Q'ty | Part No. | SP Description |
|---------------------|----------------|---------------------|
| 1pc | △ 3-209-373-01 | s MANUAL, OPERATION |

