



Varibeam led

Ianiro led

The red head has been the mainstay fixture for lighting interviews in the studio and in the field. Three units can easily pack into a shoulder bag, allowing high quality multi-point lighting to be set up quickly in any location. With dimmers, cost-effective filters, soft boxes and reflectors, crews have enjoyed complete control and great results from portable red head lights for decades.

Despite concerns over heat and power requirements, traditional red heads have remained highly popular, with newer lighting technologies struggling to truly replace tungsten's bright output and excellent colour characteristics. Now, Ianiro delivers a real alternative, with the launch of the 7000 Varibeam LED series.



IEC 62471
photobiological safety
Eye hazard tests passed



Ianiro announces a major addition to its LED line up, with the arrival of the RED HEAD LED

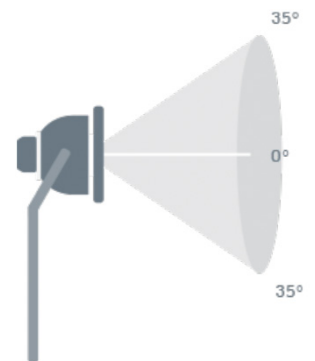
Photometrics (Beam Angle 70°)

Varibeam Cool Film 5350°K-5600°K (+/-250°K) CRI 81

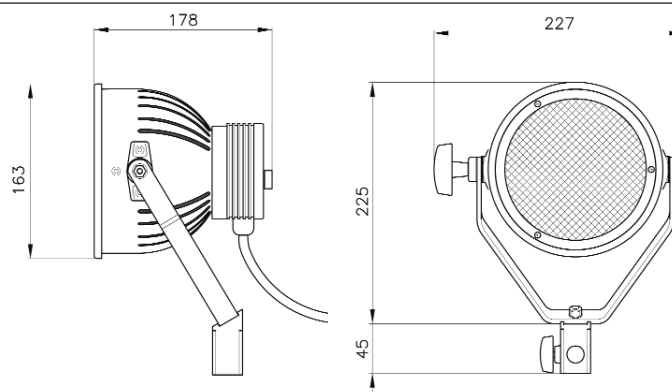
angle	1m	2m	3m	4m
0°	6452 lx	1332 lx	562 lx	309 lx
20°	5802 lx	1095 lx	473 lx	267 lx
35°	2943 lx	551 lx	243 lx	134 lx

Varibeam Warm 3140°K-3200°K (+/-60°K) CRI 81

angle	1m	2m	3m	4m
0°	5070 lx	1036 lx	435 lx	264 lx
20°	3256 lx	593 lx	265 lx	157 lx
35°	1381 lx	282 lx	124 lx	74 lx



Dimensions



Weight 1,586 kg
(with cable)

Versions

7000 Varibeam led 80 AC

W Warm (tungsten)
CF Cool Film (daylight)

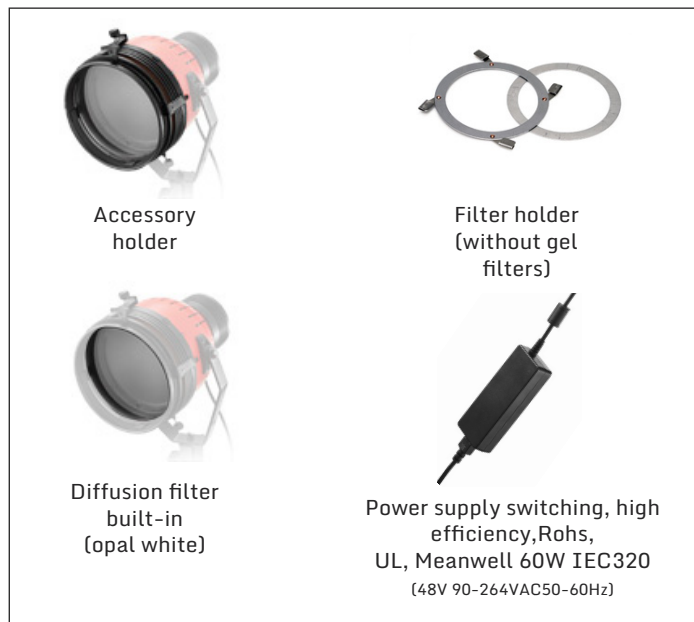
7010 Varibeam led 80 DC

W Warm (tungsten)
CF Cool Film (daylight)

Supplied with the product

7000 Varibeam led 80 AC

80W 90-240VAC power cord 3m



7010 Varibeam led 80 DC

80W 12-16VDC power cord 1,5m and universal connector XLR4



Accessories (for more accessories and details see www.ianiro.com)

For DC only

