

Canon

J11ax 4.5B



*Super Wide Lens
Achieving 4.5mm,
Surpassing 100°
in Diagonal
J11ax 4.5B*



IFxS

DIGITAL DRIVE

DD



J11ax 4.5B

**SUPER WIDE LENS
ACHIEVING 4.5mm,
SURPASSING 100° IN
DIAGONAL J11ax 4.5B**

The J11ax4.5B stands as the widest angle portable lens ever produced, includes **Digital Drive** and features the best specifications and quality in a compact size.

The J11ax4.5B also follows the **IFxS** concept, the state-of-the-art optical system, which incorporates Canon's **Power Optical System** and features the **X-Element**.

With the **IFxS** system, the J11ax sets a new standard by realizing the performance and the specifications which has never been accomplished before.

X-Element & POWER OPTICAL SYSTEM

Canon has developed breakthrough optical design concepts using a newly developed optical element in the most effective way. We have named this design concept the "Power Optical System" which can achieve higher specifications and quality in a smaller size and lighter weight, using a unique optical "Element" which realizes complete elimination of its aberration. Thanks to the X-Element and the Power Optical System, the J11ax4.5B is significantly smaller in size and weight compared to its predecessor offering more telephoto and 16% wider angle with improved optical quality.

Digital Drive Unit

Canon's exclusive Digital Drive System provides outstanding operation and features.

Shuttle Shot :

By memorizing any two focal length, the Digital Drive can automatically "shuttle" between the two points, moving in either direction.



(Preset Memory)

Speed Preset :

A specific zoom speed can be preset in memory and it is possible to repeat the zoom speed as often as you like by pushing a simple button.



Framing Preset :

A movement to a preset position can, again, be repeated multiple times. The preset memory is not automatically cleared and the agreed-on framings from rehearsal can be duplicated over and over in an actual production, at the maximum speed or in any desired preset zoom speed memorized in the speed preset function.



(Preset Memory)

(Preset Memory)

Zoom Track

A new feature has been added to our "Useful" Digital Drive, called "zoom track". It allows the camera operator to adjust the electronic focal length to their desired range by memorizing zoom positions at both the tele and the wide side of the zoom.

Zoom mode select

One of several selectable curves can be chosen which will allow different zoom movement characteristics when operating the rocker switch.

PC connection

Using the Digital communication interface on the lens and an associated Dipswitch, a personal computer can be connected to the lens for operation by remote control. By using optional software, a personal computer system can be used for remote diagnostics of the lens.

Digital demands series

Canon offers a unique digital Zoom Demand, the ZSD-300D and digital Focus Demand, the FPD-400D. The ZSD-300D zoom

demand will operate the shuttle shot and frame preset features of the lens. All digital demands connect to the lens via a new one-touch 20-pin connector. All current analog demands are compatible with digital drive lenses.

Studio/Field digital lens demands

By using an adaptor cable, it is possible to the Studio / Field digital lens controllers with the J11ax4.5B.

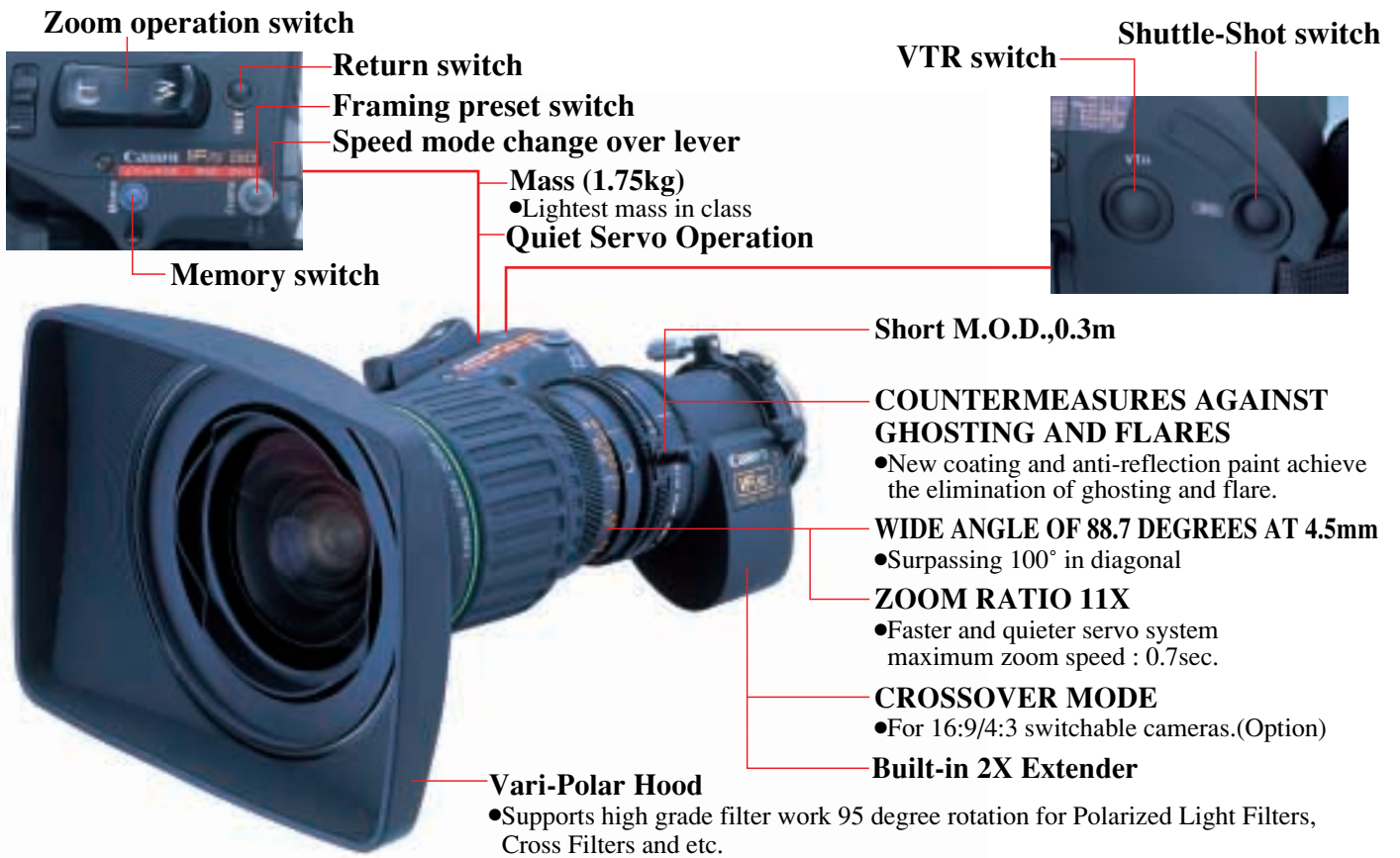
CROSSOVER

(Dual Aspect Ratio Switching System)

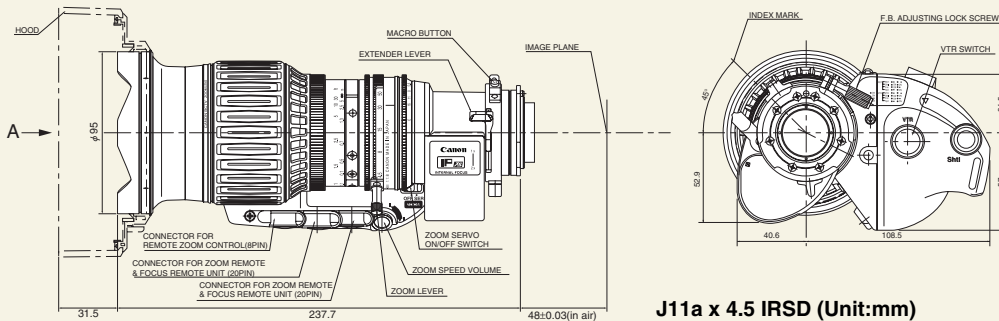
The J11ax4.5B is available with the Crossover option in two versions, the J11ax4.5B WRSD/WASD with 2x extender and the J11ax4.5B VRSD/VASD without 2x extender for switchable cameras.

Accessories

1. Optical Accessories: 127mm Filters
2. Operation Accessories: Digital zoom demand ZSD-300D and digital zoom focus demand FPD-400D are available to remote the digital functions for EFP applications.



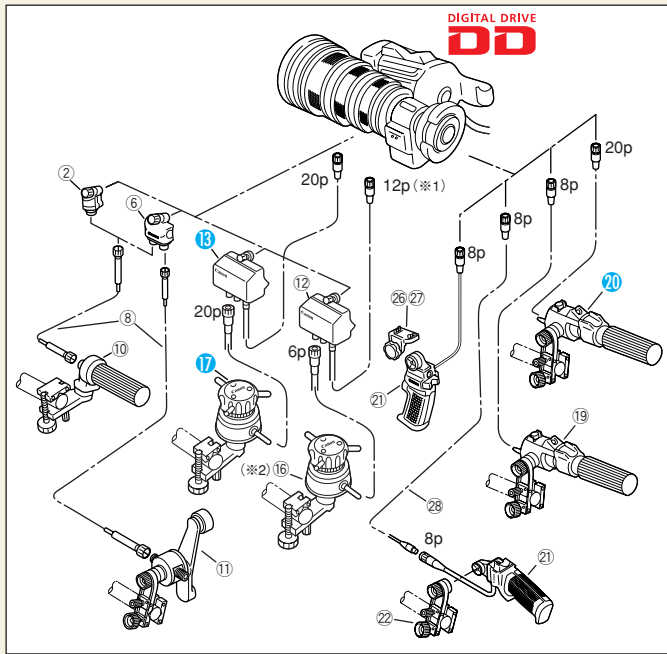
DIMENSIONS



SPECIFICATIONS

	NORMAL 4:3		16:9		SWITCHABLE 4:3		
Image Format	8.8 x 6.6mm ; φ 11.0mm		9.6 x 5.4mm ; φ 11.0mm		7.2 x 5.4mm ; φ 9.0mm		
Built-in extender	1.0X	2.0X	1.0X	2.0X	1.0X	1.2X	2.4X
Zoom Ratio			11X				
Range of Focal length	4.5 - 50mm	9 - 100mm	4.5 - 50mm	9 - 100mm	3.7 - 41mm	4.5 - 50mm	9 - 100mm
Maximum Relative Aperture	1:1.8 at 4.5~36mm 1:2.35 at 50mm	1:3.6 at 9~72mm 1:4.7 at 100mm	1:1.8 at 4.5~36mm 1:2.35 at 50mm	1:3.6 at 9~72mm 1:4.7 at 100mm	1:1.8 at 3.7~38mm 1:1.95 at 41mm	1:1.8 at 4.5~36mm 1:2.35 at 50mm	1:3.6 at 9~72mm 1:4.7 at 100mm
Angular Field of View	88.7°x72.5° at 4.5mm 10.1°x7.6° at 50mm	52.1°x40.3° at 9mm 5.0°x3.8° at 100mm	93.7°x61.9° at 4.5mm 11.0°x6.2° at 50mm	56.1°x33.4° at 9mm 5.5°x3.1° at 100mm	88.7°x72.5° at 3.7mm 10.1°x7.6° at 41mm	77.3°x61.9° at 4.5mm 8.2°x6.2° at 50mm	43.6°x33.4° at 9mm 4.1°x3.1° at 100mm
Minimum object Distance(M.O.D.)	0.3m from front lens vertex						
Object Dimensions at M.O.D.	67.9x50.9cm at 4.5mm 5.9x4.4cm at 50mm	34.0x25.5cm at 9mm 3.0x2.2cm at 100mm	74.1x41.7cm at 4.5mm 6.4x3.6cm at 50mm	37.0x20.8cm at 9mm 3.2x1.8cm at 100mm	67.9x50.9cm at 3.7mm 5.9x4.4cm at 41mm	55.6x41.7cm at 9.5mm 4.8x3.6cm at 50mm	27.8x20.8cm at 9mm 2.4x1.8cm at 100mm
Size	157(W)x105.5(H)x237.7(L)mm						
Approx.Mass (IRSD/IASD)	1.75kg(3.86lbs)/1.85kg(4.08lbs)						
	IRSD/IASD				VRSD/VASD		—
	WRSD/WASD						

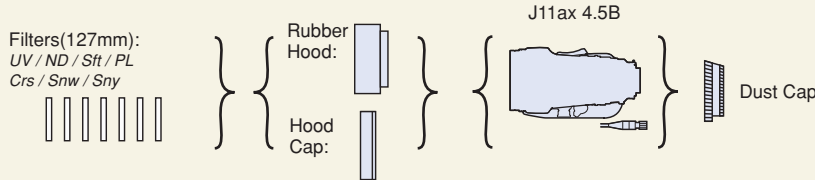
CONTROL ACCESSORIES



(※1) 33 CC-2012 conversion cable is necessary to connect between IRSD Digital Drive Lens and FPM-420.
 (※2) 32 CC-2006 conversion cable is necessary to connect between IASD Digital Drive Lens and FPD-400.

#	Unit	Description	CODE
2	FFM-100	Flex Focus Module	1824A015
6	FFM-200	Flex Dual Module	1824A013
8	FC-40	Flex Cable	1824A010
10	FFC-200	Flex Focus Controller	1824A014
11	FZC-100	Flex Zoom Controller	1824A021
12	FPM-420	Focus Positional Servo Module	1824A026
13	FPM-420D	Focus Positional Servo Module	1824A129
14	FPM-500	Focus Positional Servo Module	1824A027
16	FPD-400	Focus Positional Demand	1824A018
17	FPD-400D	Focus Positional Demand	1824A124
19	ZSD-300A/M	Zoom Demand	A 1824A066 M 1824A067
20	ZSD-300D	Zoom Demand	1824A123
21	ZSG-200A/M	Zoom Servo Grip	A 1824A068 M 1824A069
22	CR-10	Clamper	1824A007
27	ZGA-500	Grip Adapter	0002T793
28	EC-80	Zoom Extension Cable (8P)	1824A009
32	CC-2006	Conv. Cable (20pM-6pF)	1824A125
33	CC-2012	Conv. Cable (20pM-12pF)	1824A126

OPTICAL ACCESSORIES



Standard Composition:
 • Lens
 • Hood Unit(Hood Cap,Rubber Hood.)
 • Dust Cap.
 • Operational Manual.

MODEL	CODE
UV/127mm P0.75	1823A083
Cross/127mm P0.75	1823A085
Snow Cross/127mm P0.75	1823A087
Sunny Cross/127mm P0.75	1823A088
Polarized Light/127mm P0.75	1823A090
Softon/127mm P0.75	1823A089
ND/127mm P0.75	1823A086

North & South America

Canon USA, Inc.
 Broadcast and Communications Div. (Headquarters)
 400 Sylvan Avenue Englewood Cliffs, NJ 07632
 Tel:(201)816-2900/(800)321-4388
 Fax:(201)816-2909
 Email:bctv@cusa.canon.com
 http://www.canonbroadcast.com/

Chicago
 100 Park Blvd. Itasca, IL 60143
 Tel:(630)250-6231 Fax:(630)250-0399

Atlanta
 5625 Oakbrook Pkwy. Norcross, GA 30093
 Tel:(770)849-7895 Fax:(770)849-7888

Los Angeles
 15955 Alton Parkway Irvine, CA 92718
 Tel:(949)753-4330 Fax:(949)753-4337

Dallas
 3200 Regent Blvd. Irving, TX 75063
 Tel:(972)409-8871 Fax:(972)409-8869

Latin America
 Tel:(954)349-6975 Fax:(201)816-2909

Canada

Canon Canada, Inc.
 Optics Division
 6390 Dixie Road Mississauga,
 Ontario Canada, L5T 1P7
 Tel:(905)795-2012 Fax:(905)795-2140

Europe/Africa/Middle East

The Netherlands Headquarters
Canon Europa N.V.
 TV Products Department
 Bovenkerkerweg 59-61
 1185 XB Amstelveen
 Tel:+31(0)20-5458905 Fax:+31(0)20-5458203
 Email:tvprod@canon-europa.com
 http://www.canon-europa.com/tv-products

Australia

Canon Australia Pty. Ltd.
 Optical Products Division
 1 Thomas Holt Drive, North Ryde, NSW 2113
 Tel:+61(0)2-9805-2000 Fax:+61(0)2-9805-2444

Asia

Canon Singapore Pte. Ltd / Broadcast Equipment Dept.
 No.1 Jalan Kilang Timor #03-01 Pacific Tech Centre
 Singapore 159303
 Tel:+65 6276-6864 Fax:+65 6271-4226

Japan

Canon Inc.(Broadcast Equipment Group)
 20-2, Kiyohara-Kogyo-Danchi, Utsunomiya-shi,
 Tochigi-ken, 321-3292
 Tel:+81(0)28-667-8669 Fax:+81(0)28-667-8672