

# JVC®

The Perfect Experience / —

15" PROFESSIONAL LCD  
DISPLAY MONITOR

## LM-15GEA

Super-thin 15" TFT LCD Panel for  
Global Professional Applications



- Wide LCD viewing angles (H / V): 140° / 125°
- High LCD contrast ratio: 500:1 (Typical)
- Bright LCD images: 400 cd/m<sup>2</sup>
- Low LCD power consumption: 35W
- Universal usage: Video & PC; PAL & NTSC; VGA, SVGA & XGA; 100V — 240V AC
- External Remote Control operation (contact closure type) for selecting: Video input A or B ; 16:9 or 4:3 aspect ratio
- Occupies minimal space through the intelligent design of LCD panel and the built-in power supply
- Square section metal chassis combines rigidity with ease of installation
- Designed for rack mounting with the 7U rack mount accessory kit
- Four capped through-holes on the front corners increase the options for mounting
- Four 100 mm pitch VESA marking holes in centre of rear panel for universal VESA wall and desktop mounting
- Simple desktop stand included

# A Professional Quality Multi-Purpose LCD Designed for Flexible Installation

JVC's LM-15G brings the advantages of LCD to the most demanding of professional users. The flat-screen LM-15G delivers crisp, bright pictures from a lightweight package that uses a lot less power than a comparable CRT display. The LM-15G offers even more. It can be used standalone with its own desktop stand or be rack mounted. VESA standard 100 mm mounting holes also open up a wide range of installation possibilities. The capability of reproducing high-resolution video images as well as PC graphics lends it to a variety of multifunction applications in video production and CCTV.

## ■ Needs Less Space, Less Power, Yet Offers More

The LM-15G brings you the major advantages of a flat-screen LCD. Compared with conventional CRT displays, the LM-15G is lighter, thinner, and uses a lot less power. The latest advances in TFT flat display technology offer the flexibility that comes with bright (400 cd/m<sup>2</sup>) high resolution pictures, with a wide viewing angle of 140° and with no possibility of burn-in.

## ■ Universal Mains Input

No need for adapters—with its automatic universal mains input function the LM-15G can be connected in a range of 100V to 240V (50Hz/60Hz) mains power.

## ■ Video and PC Inputs (XGA)

The LM-15G comes with two standard composite input terminals (2-channel BNC), each with a bridged input. It can also be connected directly to a PC via the 15 pin D-sub terminal to display VGA, SVGA and XGA resolution images at 1024 x 768 pixel resolution.

## ■ Tough, Durable Design

A tough, yet elegant metal cabinet, which also assists the process of heat dissipation, ensures the LM-15G has the rugged durability needed for professional applications in the field and in other demanding environments.

## ■ Selectable Aspect Ratio with Remote Function

The LM-15G displays images with aspect ratios of 4:3 or 16:9, which are easily selectable by way of an on-screen menu or an external remote control connector.

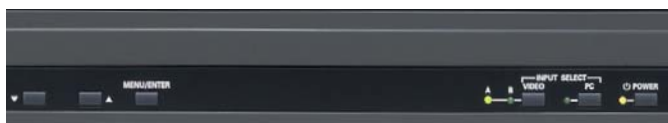
## ■ Multi-Standard Compatibility

Featuring a built-in auto-detection function, the LM-15G senses the input signal as PAL or NTSC and switches itself accordingly.

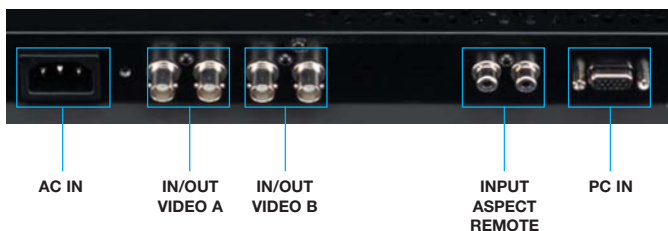
## ■ Flexible Installation

The LM-15G offers a wide range of installation options. It comes standard with its own desktop stand. Its 7U height makes for neat and easy rack mounting. The display has four VESA standard 100 mm pitch mounting holes on the rear panel and four capped through-holes at the corners of the monitor cabinet, offering still more options for mounting.

## Front Panel



## Rear Panel



## Specifications

Type	LCD video monitor
Color system	NTSC and PAL
LCD panel	Size 15" (304 mm x 228 mm)
	Type TFT
	Pixels 1024 x 768
	Luminance 400 cd/m <sup>2</sup>
	Contrast ratio 500:1 (Typ.)
	Viewing angle Vertical: 125°
	(Typical) Horizontal: 140°
	Display colours 16,770,000
Power requirements	100V – 240V, 50Hz/60Hz
Power consumption	35W
Input terminals	
	Video BNC x 2, bridged
	PC D-sub 15-pin
Input signal	
	Video NTSC, PAL, B/W, manual select
	PC fh: 31kHz – 60kHz
	fv: 56Hz – 75Hz
	Supported range of resolutions VGA, SVGA and XGA
Audio terminals	—
Remote control (contact closure type)	Aspect ratio select: 4:3 / 16:9 Input select: Video A / Video B
Cabinet material	Metal
Mounting hole	VESA 100 mm pitch (rear panel)
Dimensions (W x H x D)	370 x 309 x 67.6 mm (without stand)
Weight	3.7 kg (without stand)
Provided accessories	Power cable and stand unit (metal)

## Rack Mount Adapter

### ■ RK-C15LG



Attached to the LM-15G and set in the vertical position.



• Adjustable tilt, upwards or downwards, in a range of 0° – 15°

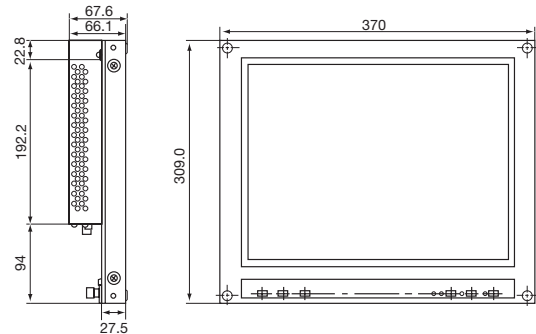
## Wall Mounting Unit



- TS-CV10WG
- Mounts horizontally for pan effect, either left or right
- Mounts vertically for tilt effect, either upwards or downwards
- Adjustment is in the range of 0° – 20°
- Two adapters can be mounted in combination for both pan & tilt

## Dimensions

Unit : mm



Design and specifications subject to change without notice.

# JVC®

DISTRIBUTED BY