

**Panasonic**  
ideas for life

Vandal Proof  
Network Colour Dome Cameras  
(with Low-Light B/W Mode)  
**WV-NW470S Series**

Version 2.0



Network Interface

Vandal Proof

Weather Proof

Day/Night Operation

The Perfect vandal proof camera solution ...



**NETWORK  
CAMERA**

**SDII**  
Super Dynamic

# A colour vandal proof camera designed for broadband networks.

The new WV-NW470S Series is the latest addition to Panasonic's full line of vandal proof cameras and can be connected directly to both digital and analogue networks. Connected to an Ethernet port, you can monitor its output or adjust settings from a networked PC. An analogue interface is also provided, allowing you to connect it to existing coaxial cable-based surveillance system. The ultra-tough, vandal proof body is loaded with features you want. Complete with a 2x variable-focal lens, Super Dynamic II technology, and automatic Day/Night switching for 24-hour monitoring. Plus, with its new networking capabilities, the WV-NW470S Series is just the solution you need for a variety of security applications.



Both an analogue video output and a digital Ethernet port are available.

## Network Interface



Vandal Proof Network Colour Dome Cameras (with Low-Light B/W Mode)

## WV-NW470S Series

For direct attachment to walls, ceilings, eaves



## FEATURE LOADED

## SIMPLE TO INSTALL

### Built-in network interface (10Base-T/100Base-TX)

Can be connected to an Ethernet network (10Base-T/100Base-TX) for remote monitoring by PC. (Internet interface protocol; TCP/IP, HTTP, FTP, SMTP, DNS, DDNS, DHCP, NTP and BOOTP)



### 480 lines of horizontal resolution in colour mode, and 570 lines in B/W mode

Equipped with a powerful 753(H) x 582(V) 1/3-type CCD, this camera delivers crisp clear images with 480 lines of horizontal resolution (in colour), and 570 lines in B/W mode.

### 2x variable-focal lens is standard equipment

Equipped with a 2x variable-focal lens plus an additional 2x electronic zoom, this camera can view their subjects in greater details.

### With Super Dynamic II, backlighting is no problem

With a 80 times dynamic range, Panasonic's proprietary Super Dynamic II processing yields clear images even in high-contrast or backlit lighting situations.

Set the lens aperture to the bright section, and the dark section is invisible.



Set the lens aperture to the dark section, and the bright section is invisible.

### Digital Motion Detector senses movement and sends an alarm signal

When the Motion Detector senses movement in the monitored image, it automatically sends an alarm signal to the system; reducing the chance of missing key images.



(Turns white only in demo mode)

### Character displays title

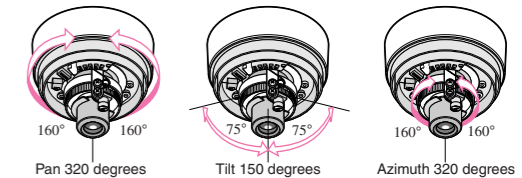
The monitor can display title up to 16 roman letters or numbers. By allowing instant identification of pre-set camera locations, this feature can help prevent errors during emergency situations.



(All of the above photographs were taken for the purpose of these explanations; actual images may be different.)

### Proprietary 3-D hinge makes adjustments easy

The 3-dimensional hinge (Pan, Tilt and Azimuth) allows the camera to be rotated as well as moved horizontally and vertically. Digital signal processing allows the image itself to be shifted up, down, left, right, or inverted. Choose precisely the camera angle you need; no camera makes it easier.



## HEAVY DUTY CONSTRUCTION

### Die-cast aluminum body : Shock Resistant

With a body made of die-cast aluminum and a dome made of 3.5mm thick polycarbonate, this camera is tough enough to resist severe shocks.



The camera lens unit is spring loaded, so the chassis can withstand external shocks.

### IP66 approved : Rain and Wind Resistant

Meets IP66 International standards. With the cameras excellent dust and moisture resistance, it can be used outdoors, under building eaves.



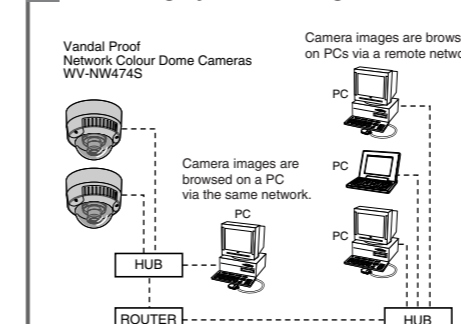
### Heater unit; WV-CW3H (Optional) Ideal for Varying Temperatures

The optional Heater Unit adjusts automatically to temperature fluctuations, helping to prevent dew condensation.

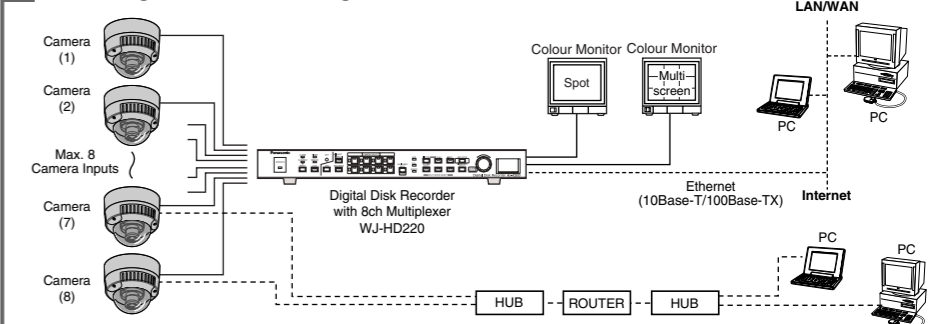


## SYSTEM EXAMPLES

### 1 Monitoring System utilizing an Intranet



### 2 Monitoring with Panasonic Digital Disk Recorder; WJ-HD220



### 24-hour surveillance with Day/Night Switching



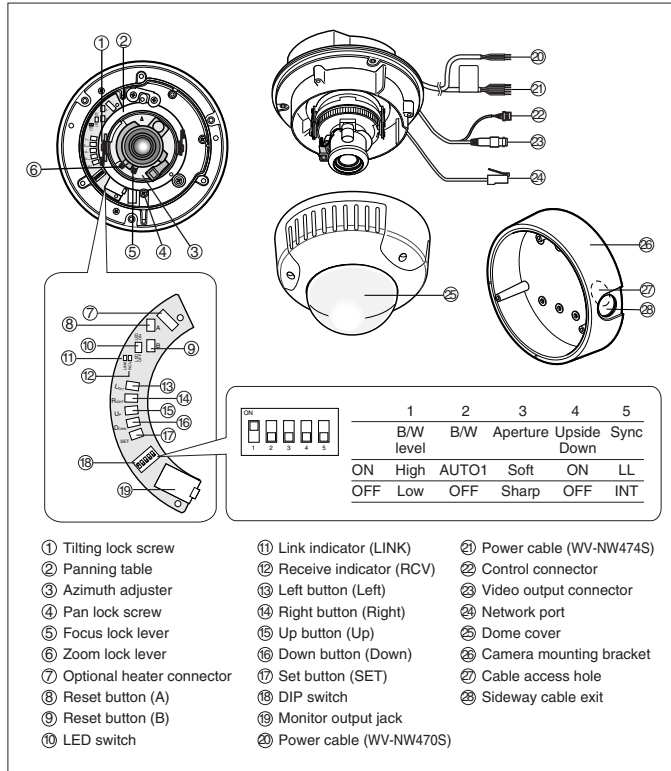
To allow 24-hour surveillance, this camera (in high-sensitivity mode) senses darkness and switches automatically from daytime colour, to nighttime black-and-white. A timer allows you to set the precise duration to meet any installation requirement. It can also be switched manually from colour to black-and-white.



### Full colour images at 0.8 lux Black-and-white images at 0.1 lux

This camera supports full colour surveillance in low-light situations (see parking lot example above), and switching to black-and-white mode allows surveillance in light as low as 0.1 lux.

## MAJOR OPERATING CONTROLS



## OPTIONAL COMPONENTS & ACCESSORIES

<b>Heater Unit WV-CW3H</b> 	<b>Smoke Dome Cover WV-CW2S</b> 
<b>Digital Disk Recorders</b> <b>WJ-HD316A</b> (16ch) <b>WJ-HD309A</b> (9ch) <b>WJ-HD220</b> (8ch) 	<b>MATRIX SYSTEMS</b> <b>SYSTEM 850</b> <b>SYSTEM 500</b> <b>SYSTEM 150</b> 
<b>PS•Data</b> <b>Colour Monitors</b> <b>WV-CM2080</b> 55cm CRT <b>PS•Data</b> <b>WV-CM1780</b> 45cm CRT <b>PS•Data</b> <b>WV-CM1480</b> 40cm CRT <b>PS•Data</b> <b>WV-CM1420</b> 37cm CRT <b>WV-CM1020</b> 25cm CRT 	<b>Network Server Software WV-AS710A</b> 

### Trademarks

- Microsoft, Windows and Windows NT are registered trademarks of Microsoft Corporation in the U.S. and/or other countries.
- Netscape, Netscape Navigator, Netscape ONE, the Netscape N and Ship's Wheel logos are registered trademarks of Netscape Communications Corporation in the U.S. and other countries. Other Netscape product names used in this document are also trademarks of Netscape Communications Corporation and may be registered outside the U.S.

**Important** – Safety Precaution: carefully read the operating instructions and installation manual before using this product.

– Panasonic can not be responsible for network performance and/or other manufacturer products that reside on the network.

- All TV pictures are simulated. •Weights and dimensions are approximate. • Specifications are subject to change without notice. • These products may be subject to export control regulations.

## DISTRIBUTED BY:

**Panasonic System Solutions Company**  
**Matsumita Electric Industrial Co.,Ltd.**  
 4-3-1,Tsunashima-higashi, Kohoku-ku, Yokohama,  
 223-8639, Japan  
 Tel 81(0)45-540-5769  
 Fax 81(0)45-540-5773  
 URL <http://panasonic.co.jp/pss/cctv/en/index.html>

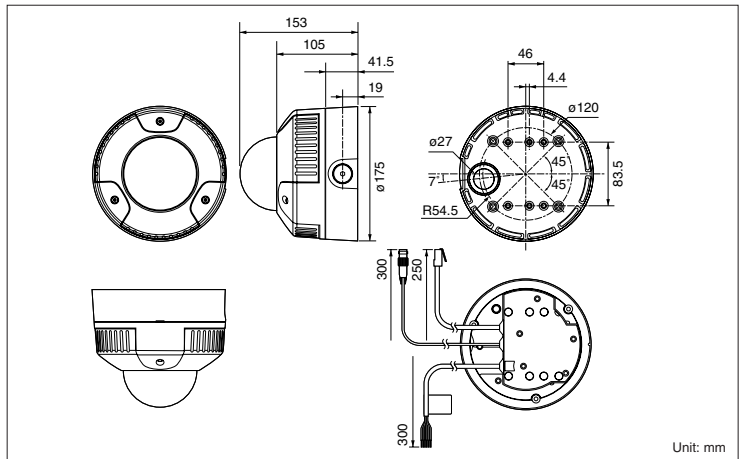
## SPECIFICATIONS

Model No.	WV-NW470S	WV-NW474S
Type	Surface mount type	
Pick Up Device	753 (H) x 582 (V) pixels, interline transfer CCD	
Scanning Area	4.8 (H) x 3.6 (V) mm. (Equivalent to 1/3" tube)	
Scanning	625 lines / 50 fields / 25 frames	
Scanning System	2 : 1 interlace	
Synchronization	Internal / Line-Lock / VD2	
Video Output	VBS 1.0V [p-p] / 75 Ω / PAL/CCIR composite signal / BNC connector	
H.Resolution	480 lines at colour imaging mode, 570 lines at B/W mode (at centre)	
Minimum Illumination (at F1.4 Wide)	0.8 lux at colour imaging mode 0.1 lux at B/W mode	
Signal to Noise Ratio	50dB (at AGC Off, Weight On, AP On)	
Network Section	Image Resolution 752 x 568, 752 x 280, 368 x 280 or 176 x 136 pixels Image Process JPEG / MJPEG Image Refreshing Rate Fast/Middle/Slow/Very Slow Traffic Control 32 kbps, 64 kbps, 128 kbps, 256 kbps, 512 kbps, 1,024 kbps, Unlimited Protocols Supported TCP/IP, HTTP, FTP, SMTP, DNS, DDNS, DHCP, ARP, BOOTP, NTP OS Applicable Windows 98 SE, Windows NT WORKSTATION 4.0 Service Pack6a, Windows 2000 Professional Service Pack2, Windows ME, or Windows XP Applicable Browsers Internet Explorer 5.5, 5.5 SP2, 6.0, or Netscape Communicator 4.73, 4.78	
Functions	Camera Title 16 character display (alphabet, numeric, symbols) Light Control ALC / ELC Super Dynamic II On / Off Electronic Shutter Off, 1/120, 1/250, 1/500, 1/1,000, 1/2,000, 1/4,000, 1/10,000 sec. AGC On (DNR-H) / On (DNR-L) / Off Electronic Sensitivity Up Off, Auto (x2, x4, x6, x10), Fix (x2, x4, x6, x10, x16, x32) White Balance ATW 1 / ATW 2 / AWC Motion Detector On / Off	
Lens	Type 2x variable focal lens Focal Length 3.8 ~ 8.0 mm Angular Field of View Horizontal: 35.6° ~ 73.6°, Vertical: 26.6° ~ 53.4° Aperture Ratio F1.4 (Wide) to F176, close / F1.8 (Tele) to F176, close Min. Object Distance 1.2 m ~ ∞	
Power Source	220V ~ 240V AC, 50Hz	24V AC, 50Hz
Power Consumption	9.9W (18.9W with optional Heater Unit; WV-CW3H)	8.6W (12.1W optional Heater Unit; WV-CW3H only)
Ambient Operating Temperature	-10°C ~ +50°C (14°F ~ 122°F) -30°C ~ +50°C with optional Heater Unit (WV-CW3H)	
Ambient Operating Humidity	Less than 90%	
Dimensions (D) x (H)	ø175 x 153 mm	
Weight (approx.)	2.3 kg	

## Frame Rate Chart

Image Resolution	Mode	Super Fine (1/6)			Fine (1/8)			Normal (1/10)			Extended (1/12)		
		Mbps	kB	ips	Mbps	kB	ips	Mbps	kB	ips	Mbps	kB	ips
752 x 568 (frame)	JPEG	4.0	100	5	3.9	69	7	3.6	56	8	3.7	52	9
	MJPEG	5.6	100	7	5.5	69	10	5.4	56	12	5.0	52	12
752 x 280 (field)	JPEG	2.6	46	7	2.5	35	9	2.1	29	9	1.9	26	9
	MJPEG	5.5	46	15	5.9	35	21	5.8	29	25	5.2	26	25
368 x 280 (field)	JPEG	2.9	23	16	2.4	18	17	2.5	15	21	2.5	15	21
	MJPEG	4.6	23	25	3.6	18	25	3.4	15	25	3.0	15	25
176 x 136 (field)	JPEG	2.6	20	16	2.7	16	21	2.2	13	21	2.2	12	23
	MJPEG	4.0	20	25	3.2	16	25	2.6	13	25	2.4	12	25

## APPEARANCE



# Panasonic

Panasonic is the brandname of Matsushita Electric.  
 Printed in Japan WV-JKNW470SC (2N-716C)