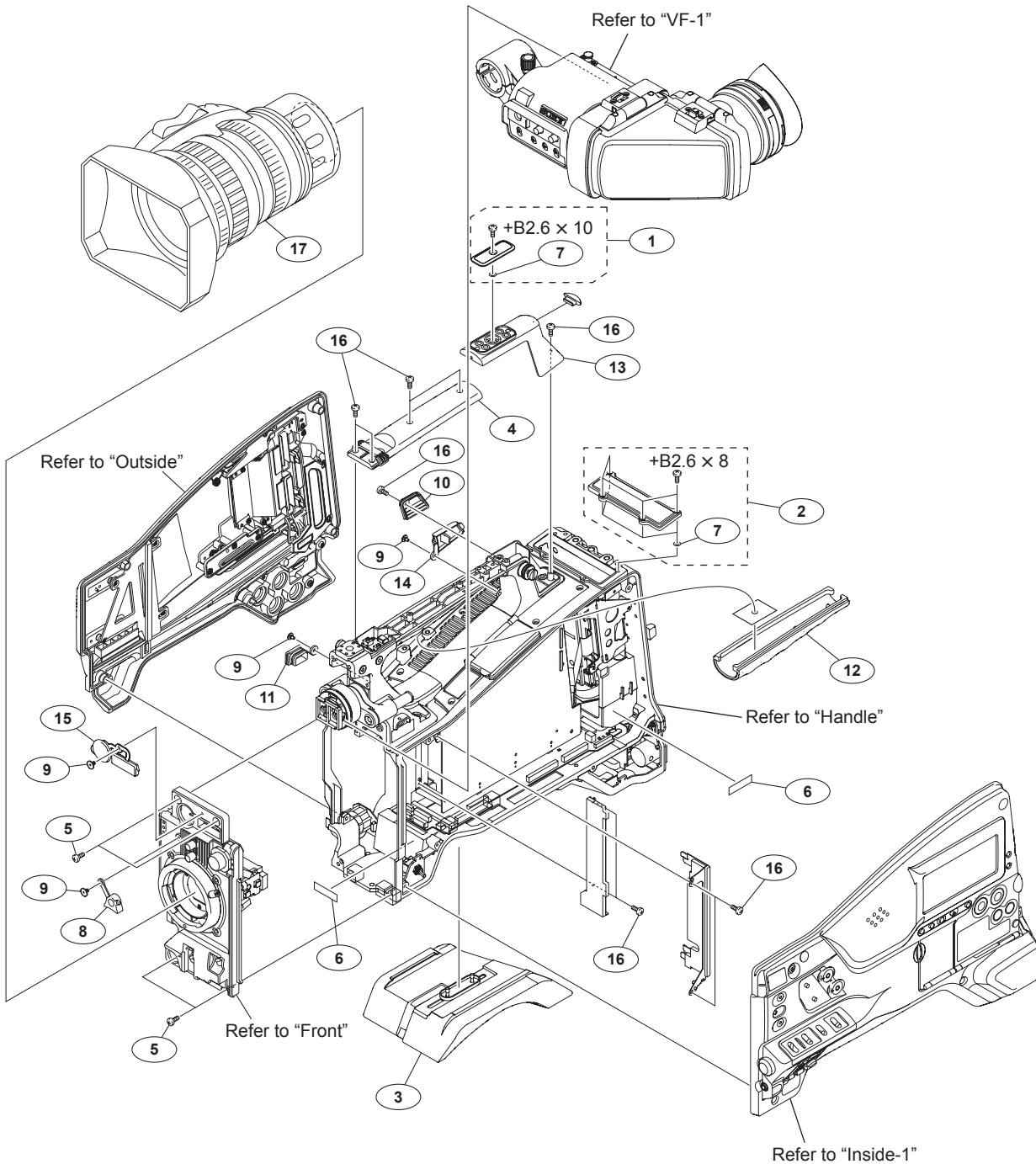


5-2. Exploded Views



No.	Part No.	SP Description	No.	Part No.	SP Description
1	A-1106-989-A	s COVER ASSY, SHOE	11	4-168-996-01	s CAP (LIGHT CONNECTOR)
2	A-1541-534-A	s PLATE (WRR) ASSY, BLIND	12	4-168-997-02	s GRIP (for PMW-350)
3	A-1752-736-A	s SHOULDER PAD ASSY		4-168-997-11	s GRIP (for PMW-320/PMW-EX330)
4	X-2541-837-2	s COVER ASSY, HANDLE (TOP)	13	4-168-998-02	s COVER, TALLY
5	3-742-074-13	s SCREW (+B 3X8)	14	4-168-999-01	s CAP (USB)
6	3-079-115-01	s TAPE AS	15	4-169-085-02	s CAP, CONNECTOR
7	3-742-004-01	s RING, NYLON	16	4-654-273-02	s ACE (M2), LOCK
8	3-796-982-03	s HOLDER LENS MOUNT	17	1-856-053-22	s 1/2 INCH, ZOOMLENS (for PMW-350K)
9	3-965-077-02	s SCREW, SPECIAL (M2)		1-856-135-21	s 1/2 INCH, ZOOMLENS
10	4-168-989-01	s LID(USB)			(for PMW-320K/PMW-EX330K)

7-621-775-40 s SCREW +B 2.6X8
 7-621-775-50 s SCREW +B 2.6X10