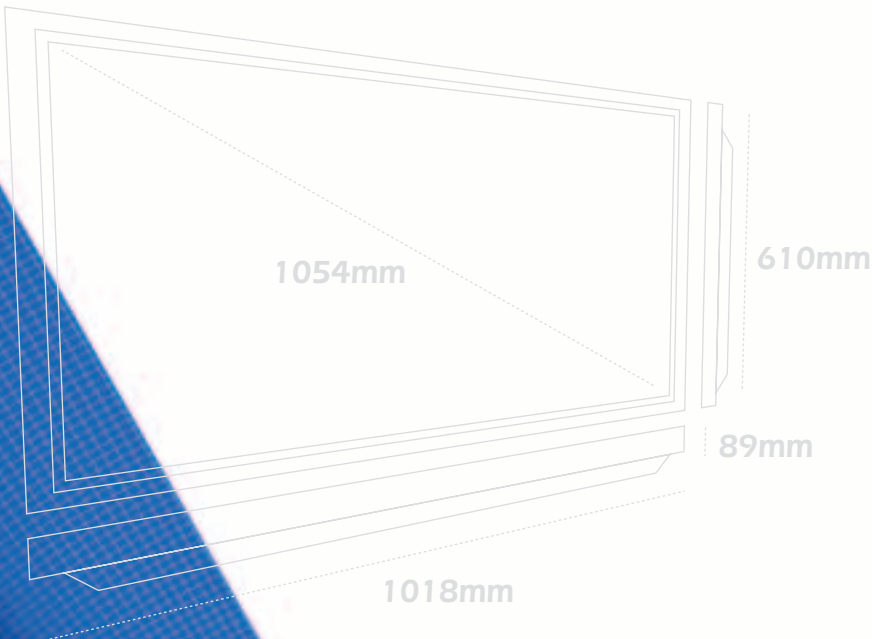


Empowered by Innovation

NEC

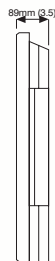
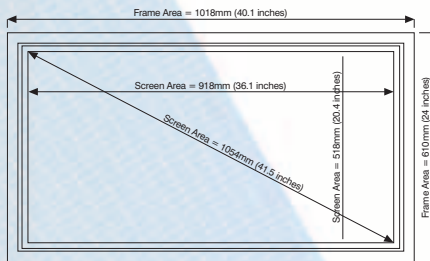


Specifications

42XM2
42" XGA Multimedia Display



PlasmaSync



42XM2 42" XGA Multimedia Display

The Latest Generation PlasmaSync 42XM2 family pushes the industry standards of picture performance to extremes, especially in both public and multimedia display applications.

Product Code	PX-42XM2A , PX-42XM2A/S , PX-42XM2GU , PX-42XM2GU/S (, : silver model)
Screen Size	918mm (H) x 518mm (V) / 36.1" (H) x 20.4" (V) / Diagonal 1054mm, 42"
Aspect Ratio	16:9
Resolution	1024 (H) x 768 (V) pixels
Pixel Pitch	0.897mm (H) x 0.675mm (V) / 0.036" (H) x 0.027" (V)
Colour Reproduction	256 levels, 16,770,000 colours
Synchronization Range	Horizontal: 15.5 to 110 kHz (automatic: step scan) Vertical: 50.0 to 120.0 Hz (automatic: step scan)
Input Signals	RGB: (VGA, SVGA, XGA, SXGA, UXGA / W-VGA, W-XGA); NTSC: (3.58 / 4.43); PAL: (B, G, M, N); PAL60; SECAM; HD; DVD; DTV
Input Terminals RGB	RGB1 (Analogue) mini D-sub 15-pin x 1 (shared with RGB1 output, selectable) RGB2 (Analogue) 5BNC x 1 (Y / Pb/Cb) / Pr(Cr) input of 5BNC and common use, selectable) RGB3 (Digital) DVI-D 24-pin x 1 (not compatible with analogue input)
Input Terminals Video	Video1 BNC x 1 (shared with Video1 output, selectable) Video2 RCA-pin x 1 Video3 S-Video: DIN 4-pin x 1
Input Terminals HD/DVD/DTV	HD1 / DVD1 / DTV1 = RCA-3pin (Y, Pb/Cb), Pr(Cr) x 1 HD2 / DVD2 / DTV2 = 5BNC x 1 (RGB input of 5BNC and common use, selectable)
Input Terminals Audio	Stereo RCA x 3 (selectable)
External Control	D-sub 9-pin x 1 (RS-232C)
Wired Remote Input Terminals	3P plug
Wired Remote Output Terminals	3P plug
Output Terminals Video	BNC x 1 (shared with Video1 input, selectable)
Output Terminals RGB or Y/Pb/Cb/ Pr(Cr)*	mini D-sub 15-pin x 1 (shared with RGB1 input, selectable) *In the case of Videowall, loop through can be used for less than four plasma monitors. For maintaining high picture quality, signal dividing distributor is recommended.
Audio Output Power for Speaker	8W + 8W (at 6 Ω)
Current Rating	, : 4.6A (maximum) , : 5.6A (maximum)
Power Sources	, : AC 120V 50 / 60Hz , : AC 100 to 240V 50 / 60Hz
Power Consumption	330W (typical)
Dimensions	Without Stand: 1018mm (W) x 610mm (H) x 89mm (D) / 40.1" (W) x 24.0" (H) x 3.5" (D) With Stand: 1018mm (W) x 675mm (H) x 400mm (D) / 40.1" (W) x 26.6" (H) x 15.8" (D)
Weight	Without Stand: 29.5kg / 65.0 lbs With Stand: 31.5kg / 69.4lbs
Front Panel User Controls	Power SW (ON / OFF), Input select SW (Exit), Volume (up / down), Menu / Enter, left, right
Remote Control Function	Power (ON / OFF), Input Select (Video, DVD / HD, RGB / PC), Volume (up / down), Mute, Wide, Display, Off timer, Menu / Enter, Exit, Cursor (up, down, left, right), Pointer, Zoom (up / down), Auto Adjust, ID Select, Clear
OSM Function	Picture: (Contrast / Brightness / Sharpness / Colour / Tint / Colour temperature / White Balance / Picture mode / Noise Reduction (NR) / Gamma / Low tone / Colour Tune); Audio: (Bass / Treble / Balance / Audio input); Image adjust: (V-Position / H-Position / V-Height / H-Width / Fine picture / Picture adjustment / Auto Picture (ON / OFF) / Aspect Mode); Option 1: (OSM / BNC input / D-sub input / RGB select / HD select / Input skip / All reset); Option 2: (Power management (ON / OFF) / Cinema mode / Long life / Grey level / S1/S2 / Picture size); Option 3: (Timer / Power on mode / Control lock / IR remote / Loop out (ON / OFF) / ID number / Videowall); Advanced OSM; Language (English, German, French, Italian, Spanish, Swedish, Chinese (simple only)); Colour System; Source information
Regulations	: UL Approved (UL 60950 Third Edition / CSA C22.2 No.60950-00) / DOC Canada Requirements / Meets FCC class A Requirements : UL Approved (UL 60950 Third Edition / CSA C22.2 No.60950-00 / UL6500:1999 Second Edition / CAN/CSA-E60065-00) / DOC Canada Requirements / Meets FCC class B Requirements : Meets Low Voltage Directive (IEC60950:1999, EN60950:2000, SEMKO Approved) / EN61000-3-2:2000, EN61000-3-3:1995+A1:2001, EN55022:1998+A1:2000 CLASS A, EN55024:1998+A1:2001, AS/NZS CISPR22:2002 CLASS A / KTL / PSB : Meets Low Voltage Directive (IEC60065:2001, EN60065:1998, IEC60950:1999, EN60950:2000), EN61000-3-2:2000, EN61000-3-3:1995+A1:2001, EN55022:1998+A1:2000 CLASS B, EN55024:1998+A1:2001, AS/NZS CISPR22:2002 CLASS B / KTL / PSB
Environmental Operation	Temperature: 0°C to 40°C / 32°F to 104°F Humidity: 20 to 80% (no condensation) Altitude: 0 to 2800 m / 0 to 9180 feet
Environmental Storage	Temperature: -10°C to 50°C / 14°F to 122°F Humidity: 10 to 90% (no condensation) Altitude: 0 to 3000 m / 0 to 9840 feet
Accessories	Remote control with two AAA batteries, Power cable, User's Manual, Safety metal fittings, Screw for safety metal fittings, Ferrite cores, bands, Cable clamps
Other Features	Motion compensated 3D Scan Converter: (NTSC, PAL, 480i, 576i, 525i, 625i, 1035i, 1080i); 2-3 pull down Converter: (NTSC, 480i, 525i, 1035i, 1080i); 2-2 pull down Converter: (PAL, 576i, 625i, NTSC, 480i, 525i); Digital Zoom Function: (100-900% selectable); Videowall: 2x2 / 3x3 multi screen; Self Diagnosis; Image Burn Reduction Tools: (PLE LOCK1-3, INVERSE, WHITE, ORBITER (Auto, 2 / Manual), SCREEN WIPER, SOFT FOCUS); Colour Temperature select: (high / mid / mid low / low, user has 4 memories); Control lock: (Except power SW); Auto Picture; Input Skip; Colour Tune; Low Tone: (3 mode); Auto ID; Programmable Timer; Gamma Correction: (4 modes)

PlasmaSync and OSM are trademarks of NEC Corporation. The plasma display panel consists of fine picture elements (cells). Although NEC produces these plasma display panels with more than 99.99 percent of their cells active, there may be some cells that do not produce light or remain lit after they should have turned off. Light output of a PDP module gradually decreases over long-term use. Do not display static images for prolonged periods; otherwise a phosphor burn may appear on a part of the panel. Phosphor burns are not covered by the warranty. Status September 2003. Specifications may change without notice.

Your NEC Dealer

