

JVC

PROFESSIONAL

DOME COLOUR CAMERA

TK-C655E (AC 24 V)

1/4" High Resolution Indoor Camera with
25x Zoom, designed for Automated Surveillance

1.0 Super LoLux™
lux



- Super-LoLux offers excellent sensitivity through the smoked perspex dome:
 - 6.0 lux (AGC on, 50% video)
 - 3.0 lux (AGC on, 25% video)
 - 1.0 lux (AGC on, 25% video, 2 frames integration)
- Typical sensitivity through clear dome:
 - 1.9 lux (AGC on, 50% video)
 - 0.5 lux (AGC on, 25% video, 2 frames integration)
- High-resolution 480 TV lines with 1/4" IT CCD
- Extended dynamic range
- 25x zoom lens (3.8 mm to 95 mm)
- Built-in menu with Private Mask and Auto Black
- Auto Trace/Auto Pan/Auto Patrol/Area Title
- Variable Pan/Tilt speed
- 180° Auto flip/Digital flip
- 100 pre-set positions
- Easy AF and one-touch auto focus
- Easy to install mechanism
- 360° continuous rotation
- RS-422A/RS-485 Interface



A Bird's-Eye View — Indoor Surveillance Solution either Manned or Fully Automatic, with 25x Optical Zoom



Through Smoked Cover

25x Optical Zoom Capability

This photo illustrates 2x Zoom

JVC's easy-to-install TK-C655E provides comprehensive manned or automatic surveillance of indoor spaces. With 360° endless panning and a high-resolution 1/4-inch, Super LoLux CCD with smoked cover, this camera can capture sharp, colour pictures even at 1.0 lux. Employing JVC's innovative extended dynamic range feature, the camera shoots scenes with contrasting bright and darker areas using a combination of high-speed shutter and normal exposure to deliver perfectly balanced pictures. In automatic mode, users can access the TK-C655E's Auto Patrol and Area Title functions for single camera operation or as part of a multi-camera system under RS-485 control. Switch to manned operation and the Easy Auto Focus function and 25x zoom lens (3.8 mm to 95 mm), with variable pan and tilt speeds, take you to the action in the blink of an eye. Built for reliable long-term service, the TK-C655E is a highly practical and cost-efficient, all-purpose surveillance solution.



■ 1/4-inch High-Resolution IT CCD

The TK-C655E incorporates a high-resolution 1/4-inch interline transfer CCD (752(H) by 582(V) pixels) to deliver very sharp, clear pictures.

■ Extended Dynamic Range

A DSP with a wide dynamic range is a JVC innovation that shoots bright areas of a scene with a high-speed shutter exposure, whilst also shooting dark areas with a normal exposure. The images are read and synthesised to create a single image that accurately reproduces the scene with light and dark areas perfectly exposed.

■ Super LoLux 1.0 lux with smoked cover — High Quality Colour Pictures

Super LoLux lets you shoot high-quality pictures in ambient light as low as 1.0 lux, making the TK-C655E more sensitive than the naked eye.

■ High Quality and High Powered 25x Zoom Lens

The TK-C655E features a professional quality F1.6 lens with a 25x optical zoom range (3.8 mm to 95 mm).

■ Variable Pan/Tilt Speed

Both pan (1°/sec. to 300°/sec.) and tilt (1°/sec. to 180°/sec.) speeds can be varied over a wide range to match site conditions and applications.

■ Auto Patrol Mode

With three Auto Patrol Mode settings and 100 preset positions, the versatile TK-C655E can deliver surveillance coverage of a wide area by user programming.

■ Auto Trace

The Auto Trace function lets the operator replay a series of manual camera operations performed over a period of 30 seconds. When Trace Mode is activated, the 30-second sequence of manual operations is memorised and then repeated every 30 seconds.

■ Area Title

The Area Title function divides the entire space covered by the camera into 16 areas, with a 16-character ID identifying each area.

■ 180° Auto Flip/Digital Flip

With the function switched on, the camera automatically flips over 180° when it reaches its tilting limit, making it possible for the camera to continue displaying right-way-up images once it has gone through the vertical. Digital flip inverts pictures on both vertical and horizontal axes once the tilt reaches 135°, after the camera has passed through the vertical.

■ 360° Continuous Rotation

The TK-C655E offers endless panning through a full 360° with no blind spots. The operation is continuous.

■ Privacy Function

Using the Private Mask function, operators can mask selected areas within the observed area. Tilt range for Private Mask is 0° to 45°.

Other Features

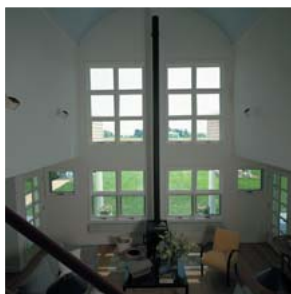
- Built-in Menu
- Accepts RS-422A/RS-485 Control Signals
- Auto-Black On/Off
- Easy Auto Focus
- V Sharpness

Caution:

1. There is a choice to set a tilt limitation between 0° — 10° and 180° — 170° via the camera menu.
2. When using RM-P2580E, up to 64-preset positions are available for any single camera.
3. When set at around 45° of tilt, the masked areas may be seen.



Images of Extended Dynamic Range



With high speed shutter

+



With normal speed shutter

=



Extended Dynamic Range

These images are sample images output in extended dynamic range mode. Actual images will vary according to the shooting conditions, such as the intensity of sunlight and the size of the windows.

Specifications

■ CAMERA

Image pickup device	1/4 inch interline transfer CCD, 752(H) x 582(V) pixels
Sync system	Line Lock, Internal
Scanning frequencies	Horizontal 15.625 kHz Vertical 50 Hz
S/N	50 dB (typical), (AGC OFF, ENHANCE -5)
Horizontal resolution	480 TV lines (typical)
Sensitivity (Smoked dome)	6.0 lux (AGC on, 50% video) 3.0 lux (AGC on, 25% video)
(Clear dome)	1.0 lux (AGC on, 25% video, 2 frames integration) 1.9 lux (AGC on, 50% video) (typical) 0.5 lux (AGC on, 25% video, 2 frames integration) (typical)
Dynamic range	400x (Max.)
White balance	TTL auto tracking/Manual
Electronic shutter	1/50, 1/120, 1/250, 1/500, 1/1000, 1/2000, 1/4000, 1/10000 sec.
Back light compensation	4 photometry areas selectable
Colour level adjustment	Yes
Contour correction	Horizontal and Vertical (ENHANCE)

■ LENS

Zoom ratio	Approx. 25x
Zoom range	3.8 mm to 95 mm
Maximum aperture	F1.6 (WIDE) to F3.7 (TELE)

■ MOVING MECHANISM

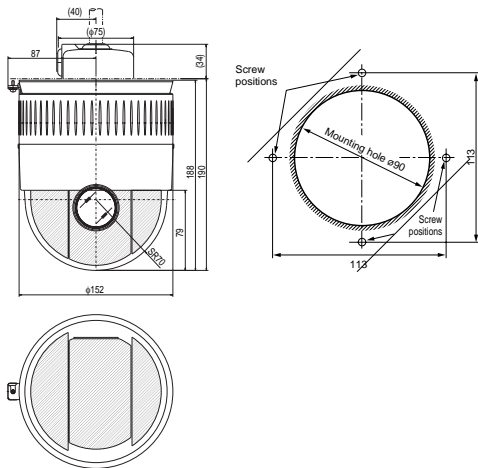
Panning range	360° endless rotation
Panning speed	1°/sec. to 300°/sec.
Tilting range	0° to 180° (Horizontal - Straight downwards - Horizontal)
Tilting speed	1°/sec. to 180°/sec

■ GENERAL

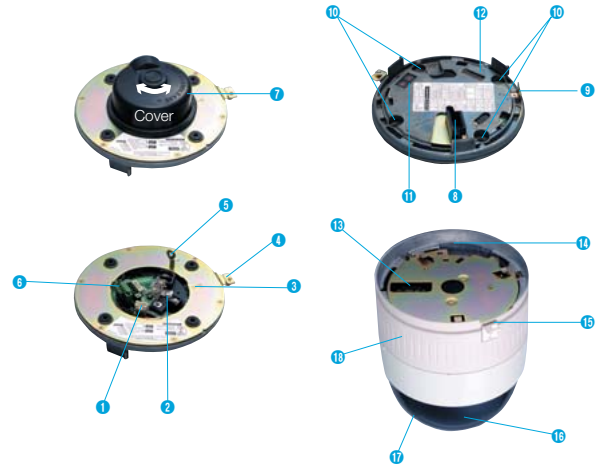
Power supply	AC 24 V, 1.3 A
Number of preset positions	100 (64 available positions when used with the RM-P2580E remote control unit.)
Optional remote control unit	RM-P2580E
Control signal connection terminal	EIA RS-485 compliant, 9600 bit/sec.
Ambient temperatures	-10°C to 50°C (operating), 0°C to 40°C (recommended)
Ambient humidity	35% to 90%RH (without condensation)
Weight	2.4 kg
Accessories supplied as standard	Instructions 2 Ceiling Mount 1 Screw (M3 x 12 mm) 1 Screw (M4 x 12 mm) 4 Cable plate 1

Dimensions

Unit: mm

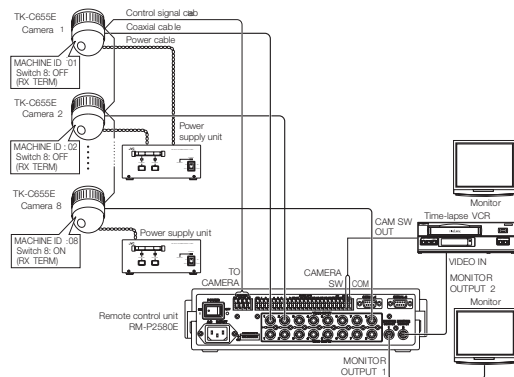


Controls, Connectors and Indicators



- 1 [VIDEO OUT] Coaxial Cable Connectors
- 2 [AC 24V INPUT] Connector
- 3 Cover Position Alignment Mark
- 4 Locking Screw
- 5 Safety Wire Hole
- 6 [CONTROL] Terminals (CN22)
- 7 Cover
- 8 Camera Connector (Female)
- 9 Drop Prevention Hook
- 10 Clamping Holes (x 4)
- 11 [MACHINE ID] Switch
- 12 Setting Switches
- 13 Connector (Male)
- 14 Drop Prevention Wire
- 15 Camera Clamping Bracket
- 16 Lens
- 17 Dome Cover
- 18 Camera Body Cover

Multi-Drop Communication System with RM-P2580E



Accessories

■ WB-S571U

Ceiling suspension pole



■ WB-S572U

Wall mounting bracket



■ WB-S575U

Ceiling recess bracket



■ WB-S573U

Ceiling surface mounting bracket



■ RM-P2580E

Remote control unit with 64 preset positions



■ Clear Cover

JVC

VICTOR COMPANY OF JAPAN, LIMITED

DISTRIBUTED BY



■ The Hachioji Plant of Victor Company of Japan, Ltd., has received ISO14001 and ISO9001 Certifications under the global standard for environmental management.