

# FOCUSPLUS PRO USER'S MANUAL

Before operating your edelkrone,  
please watch the user's manual video.

<http://edel.kr/fpp>

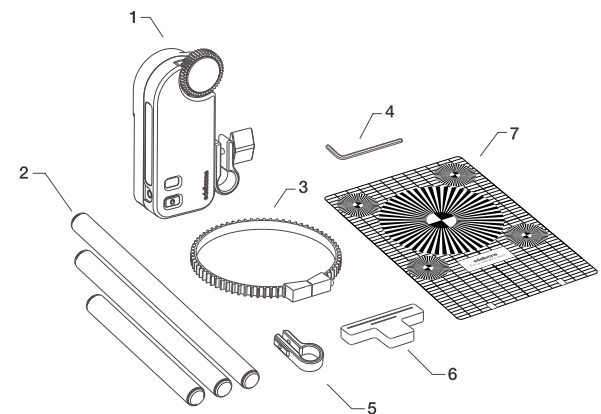


edelkrone  
filmmaking solutions

## TABLE OF CONTENTS

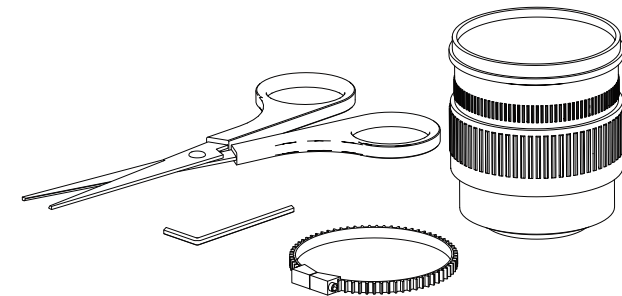
1. WHAT'S IN THE BOX & THE BASICS
2. ATTACHING LENS GEAR
3. REPLACING THE ROD CLAMPS & CHANGING CLAMP DIRECTION
4. ATTACHING FOCUSPLUS PRO ONTO L-BRACKET
5. POWER OPTIONS
6. HOW TO USE CALIBRATION CHART
7. HOW TO USE CALIBRATION CHART (CONT'D)
8. START USING

## 1. WHAT'S IN THE BOX & THE BASICS



- |  |                       |
|--|-----------------------|
| 1. FocusPLUS PRO<br>(with Ø15 mm rod clamp)          | 4. Allen Key 2.5 mm   |
| 2. Rod for FocusPLUS PRO<br>(224 mm, 184 mm, 134 mm) | 5. Rod Clamp (Ø19 mm) |
| 3. Lens Gear (3 pcs.)                                | 6. Calibration stand  |
|  | 7. Calibration chart  |

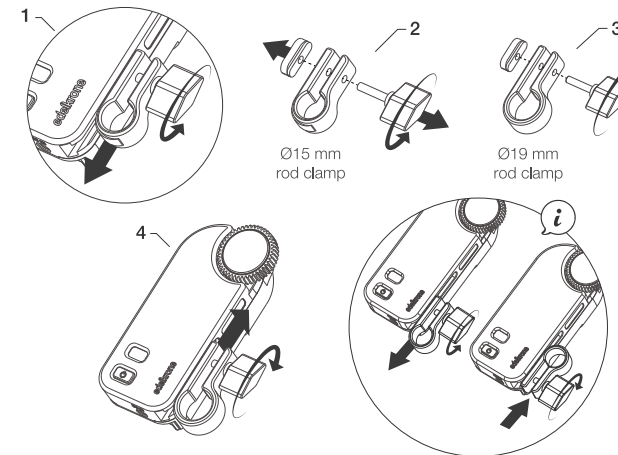
## 2. ATTACHING LENS GEAR



If you have a cine lens, you don't need to attach Lens Gear and may skip this step. If you don't have 0.8 pitch on your lens, attach Lens Gear to your lens.

A detailed video explaining how to attach Lens Gear can be found at: <http://edel.kr/fpp>

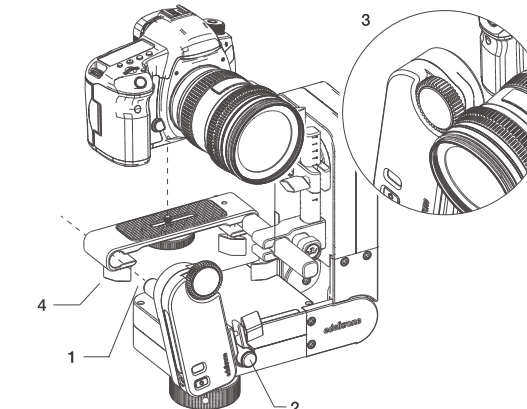
## 3. REPLACING THE ROD CLAMPS & CHANGING CLAMP DIRECTION



- You can use the Extra Rod Clamp (Ø19 mm) according to your rod preference. To use it;
1. Loosen the screw and slide out the rod clamp (Ø15 mm).
  2. Separate the screw, rod holder and aligner.
  3. Switch the Ø19 mm rod holder with Ø15 mm rod clamp and assemble it back.
  4. Slide the rod clamp back to its place on FocusPLUS PRO and tighten the screw.
- i. You can change the direction of the rod clamp to provide the proper position for your lens.

A detailed video explaining how to attach your FocusPLUS PRO can be found at: <http://edel.kr/fpp>

## 4. ATTACHING FOCUSPLUS PRO ONTO L-BRACKET

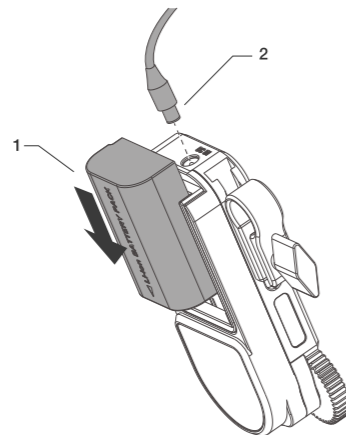


1. Attach your FocusPLUS PRO to L-Bracket.
2. You can use one of 3 different rod sizes according to your lens preference.
3. Make sure your FocusPLUS PRO gear connects with your lens or Lens Gear firmly.
4. Tighten the screw.

A detailed video explaining how to attach your FocusPLUS PRO can be found at: <http://edel.kr/fpp>



## 5. POWER OPTIONS

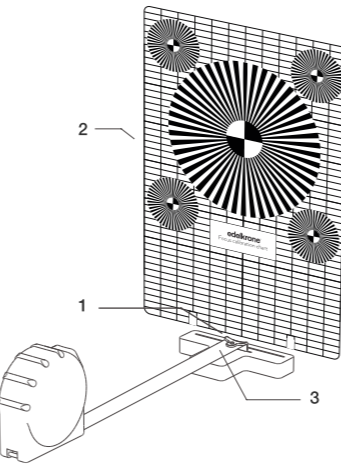


1. Attach your LP-E6 Battery onto Battery Bracket by sliding it.
2. You can also use DC IN socket to power up your FocusPLUS PRO. DC IN socket is the priority when DC IN and LP-E6 Battery are attached.

! DC IN socket does not charge the LP-E6 Battery.

A detailed video explaining how to power up your FocusPLUS PRO can be found at: <http://edel.kr/fpp>

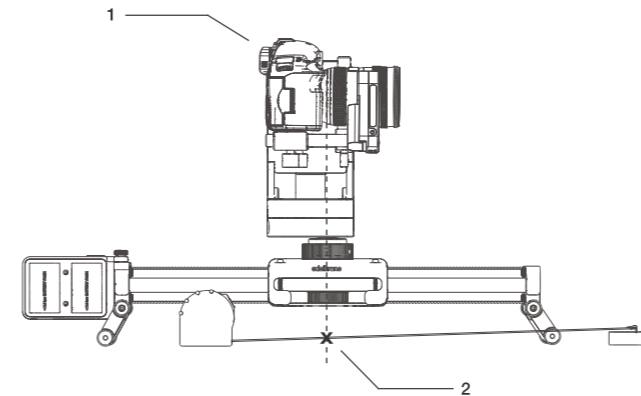
## 6. HOW TO USE CALIBRATION CHART



1. Place a tape measure on the calibration stand.
2. Place the calibration chart on the calibration stand.
3. If needed, use tape to secure tape measure on the calibration stand.

A detailed video explaining how to use calibration chart & stand can be found at: <http://edel.kr/fpp>

## 7. HOW TO USE CALIBRATION CHART (CONT'D)



1. Set up your SliderPLUS on the ground as shown above. Make sure you have enough distance to open your measuring tape as long as possible.
2. Make sure the tilt axis of your HeadPLUS is perpendicular to the ground then mark it on the ground.
3. Then just follow the instructions on the edelkrone App.

A detailed video explaining how to use calibration chart & stand can be found at: <http://edel.kr/fpp>

## 8. START USING



1. Download the edelkrone App to your mobile device from the App Store or Google Play. Links can be found at [www.edelkrone.com/products/focusplus-pro](http://www.edelkrone.com/products/focusplus-pro)
2. To operate FocusPLUS PRO, hold On/Off button down until the opening bar in the information screen is full-filled.
3. FocusPLUS PRO is now ready for smart pairing or manual pairing through Bluetooth/Wifi.
4. After pairing the devices, you are now ready to use your FocusPLUS PRO. Just keep following the instructions on your mobile device or visit [manuals.edelkrone.com](http://manuals.edelkrone.com) for a detailed video instruction.

Always start using with a fully charged batteries.

Make sure your mobile device's Bluetooth connection is on.

A detailed video explaining the edelkrone app usage details can be found at: <http://edel.kr/fpp>

## DISPOSAL OF THE PRODUCT & WARNINGS



Should the product become damaged beyond repair, or if you wish to dispose of it, it must be disposed separately from the municipal waste stream via designated collection facilities appointed by the government or the local authorities. Observe the regulations of your area and country that relate to the disposal of electronic products.

- \* Keep your electronic Motion Control Unit away from all sorts of liquids.
- \* In order to preserve your Motion Control Unit and battery performance at their best, use the exact same type of batteries with an equivalent level of charge during dual-battery operation.
- \* Do not attempt to disassemble or modify any internal parts of your Motion Control Unit. If the device appears to be malfunctioning, discontinue use immediately and contact support for qualified service.
- \* Never force a different type of connector into a port.
- \* Never use or store your Motion Control Unit in areas subject to extreme temperatures, or high levels of vibration.
- \* If your motion control unit becomes unresponsive, disconnect and re-connect the power source. Make sure your DC adapter is plugged in or your batteries are properly charged. If the problem persists, contact our support team.
- \* Environmental factors may affect your Motion Control Unit's performance. Keep your product away from environmental hazards such as dust or heavy resonance. Do not use chemical materials to clean your product.
- \* Only use included battery plate, DC adapter or equivalent power sources. Use of an inappropriate power source may permanently damage your Motion Control Unit.
- \* If there is an impairment on the power or connector cable, stop using the Motion Control Unit immediately.
- \* Avoid dropping or causing physical damage to your Motion Control Unit.
- \* Do not place heavy objects on top of your Motion Control Unit.
- \*\*edelkrone cannot be held responsible for damage caused by improper use or modification of the product.
- \* Rated Voltage: 7.4V-14.8V (7.4V LP-E6 Battery / AC-DC Adapter) Rated Current: 2A
- Operating Temperature: -5°C to +45°C

For more information and tips about your FocusPLUS PRO, please watch the user's user manual video at: <http://edel.kr/fpp>