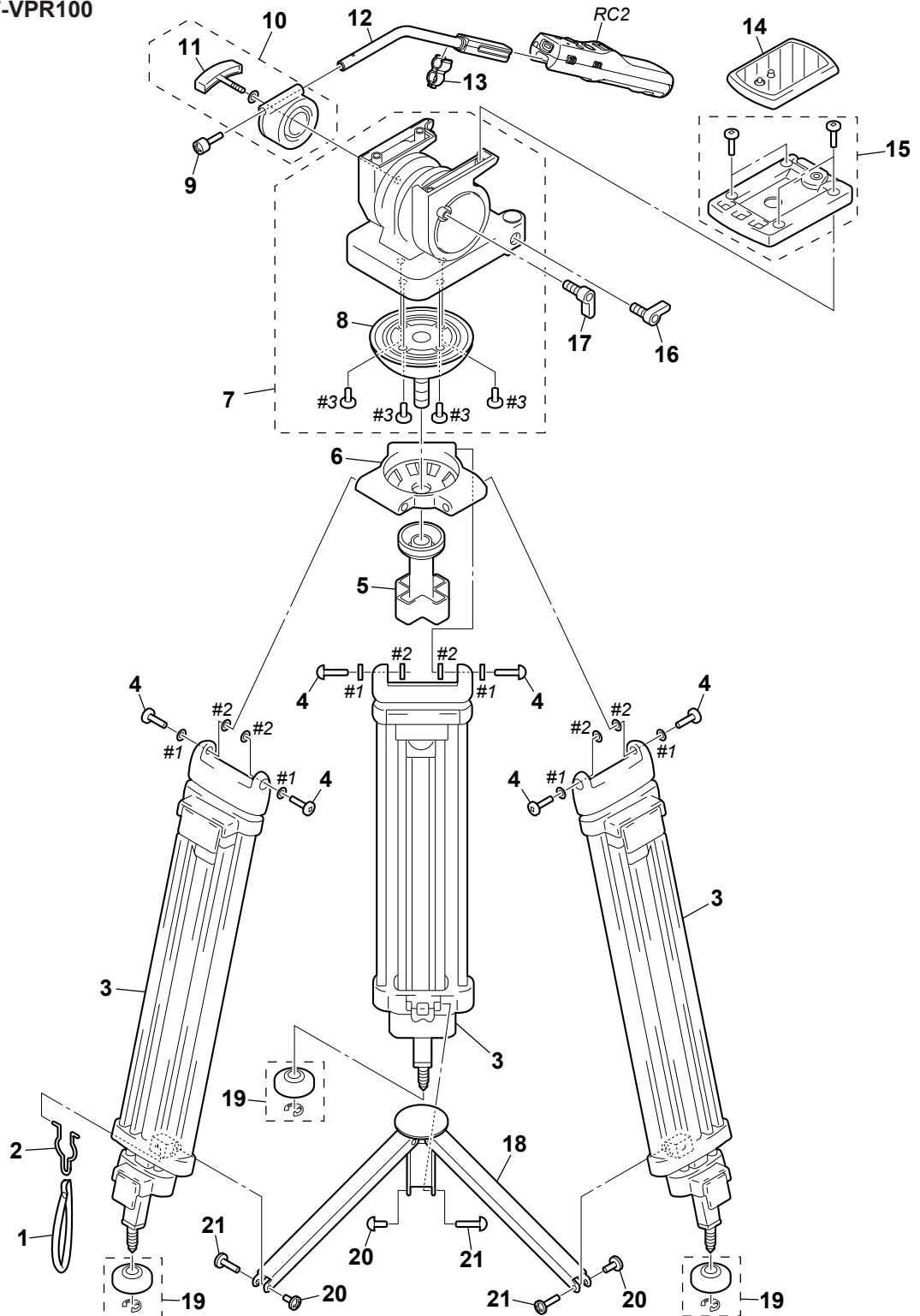


1-2. VCT-VPR100



Ref. No. Description

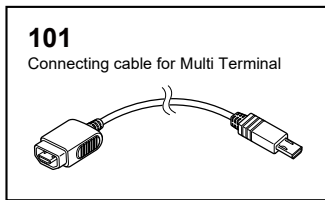
- 1 STRAP
- 2 RING, TRANSPORT
- 3 LEG
- 4 BOLT, HEXAGON SOCKET 6X20
- 5 KNOB, BALL LABELA FIXED
- 6 RETAINER
- * 7 HEAD (MAIN) ASSY
- 8 LABELA (MAIN), BALL
- 9 SCREW, SHAFT FIXED
- 10 LOCK ASSY, PAN HANDLE
- 11 KNOB, LOCK
- 12 SAKATE, HOLDER ASSY SERVICE
- 13 CORD CLAMPER

Ref. No. Description

- 14 SHOE, QUICK
- 15 TABLE (ASSY), CAMERA
(Including fixed lever, hexagon socket bolt)
- 16 SCREW, PAN FIXED
- 17 SCREW, TILT FIXED
- 18 STAY
- 19 RUBBER, FERRULE (Including E washer 6)
- 20 SCREW (M3.5X6), TRUSS
- 21 SCREW, STAY FIXED
- RC2 REMOTE CONTROL (SERVICE)
- #1 SW 6, TYPE 2
- #2 W 6, SMALL
- #3 BOLT, HEXAGON SOCKET 4X8

SECTION 2 ACCESSORIES

Ref. No.	Description
VCT-VPR1	*****
	CASE, TRIPOD (Carrying case)
	MANUAL, INSTRUCTION (JAPANESE, ENGLISH, FRENCH, GERMAN, SPANISH, DUTCH, ITALIAN, SIMPLIFIED CHINESE)
	MANUAL, INSTRUCTION (PORTUGUESE, SWEDISH, DANISH, FINNISH, POLISH, CZECH, HUNGARIAN, SLOVAKIAN) (AEP, UK, E, Australian, Tourist)
	MANUAL, INSTRUCTION (ROMANIAN, GREEK, RUSSIAN, TRADITIONAL CHINESE, KOREAN, ARABIC) (AEP, UK, E, Australian, Tourist)
101	CORD, CONNECTION (UM) (Connecting cable for Multi Terminal)



Ref. No.	Description
VCT-VPR100	*****
	BAG, TRIPOD (Carrying case)
	MANUAL, INSTRUCTION (JAPANESE, ENGLISH, FRENCH, GERMAN, SPANISH, DUTCH, SIMPLIFIED CHINESE)
	MANUAL, INSTRUCTION (ITALIAN, PORTUGUESE, SWEDISH, DANISH, FINNISH, POLISH, CZECH, HUNGARIAN) (AEP, UK, E, Australian, Tourist)
	MANUAL, INSTRUCTION (SLOVAKIAN, ROMANIAN, GREEK, RUSSIAN, TRADITIONAL CHINESE, KOREAN, ARABIC) (AEP, UK, E, Australian, Tourist)
101	CORD, CONNECTION (UM) (Connecting cable for Multi Terminal)
102	CORD, CONNECTION (AVR) (Connecting cable for A/V Remote Terminal)
103	CORD, CONNECTION (LANC) (Connecting cable for LANC terminal/Remote Terminal)
104	CORD, CONNECTION (3PIN) (Connecting cable for REMOTE Terminal)

