



ISDN Remote Surveillance System from Panasonic

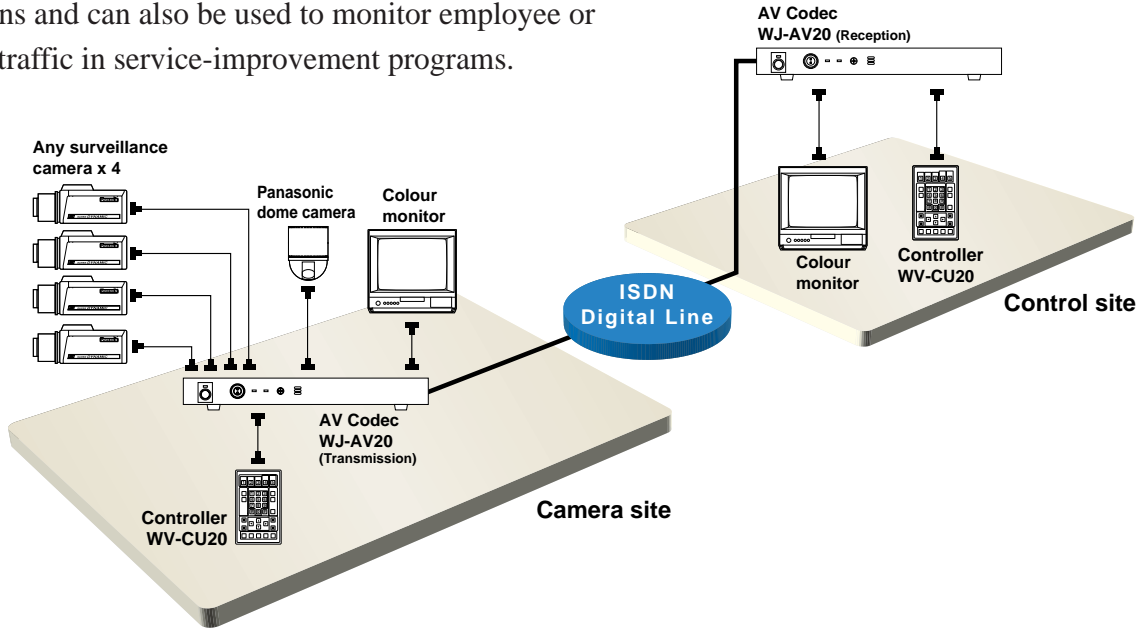
ITU-T H.263 Standard.



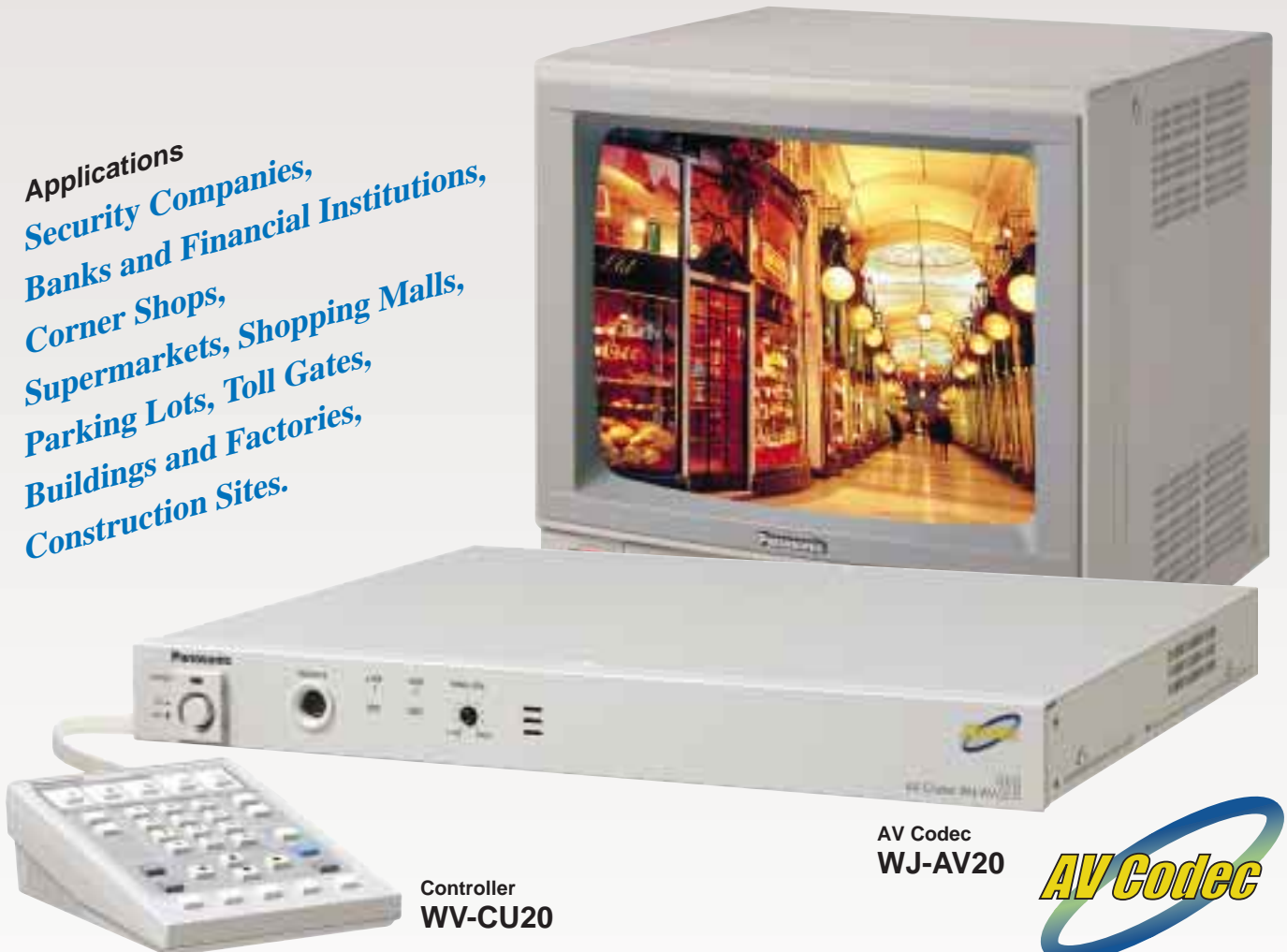
Simpler, Faster & More dependant!

Keep a clear, real-time eye on remote sites.

In today's 24-hour society, demand for fully automated services is rising, driving an expanded need for network-based remote surveillance systems. The Panasonic WJ-AV20 Codec is ideal for remote surveillance applications. Transmitting both sound and colour images over smooth, fast ISDN digital lines, the WJ-AV20 AV Codec shows you exactly what's going on, even at a distance. It's perfect for security applications and can also be used to monitor employee or customer traffic in service-improvement programs.



Applications
Security Companies,
Banks and Financial Institutions,
Corner Shops,
Supermarkets, Shopping Malls,
Parking Lots, Toll Gates,
Buildings and Factories,
Construction Sites.



AV Codec
WJ-AV20

Controller
WV-CU20



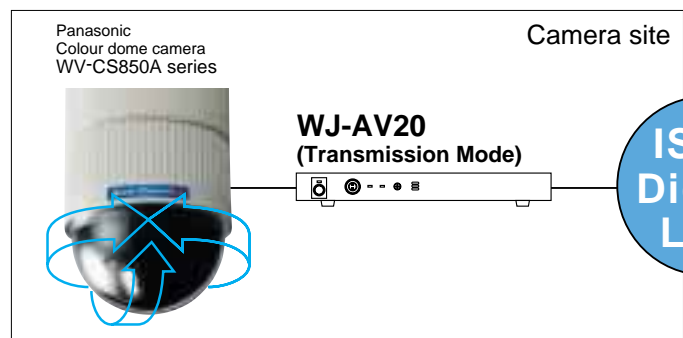
Continuous image storage—one of five key benefits that make the Panasonic WJ-AV20 AV Codec the right choice for all remote surveillance systems.



Easy Operation

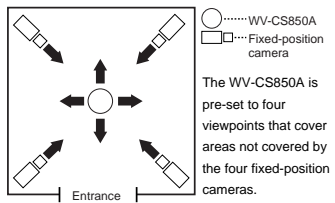
Up to eight pre-set viewpoints put the images you need at your fingertips.

When used with Panasonic colour dome cameras, each WJ-AV20 unit supports up to eight pre-set positions. One touch on the keypad of the optional WV-CU20 controller instantly shows you the scene from the preset you select.



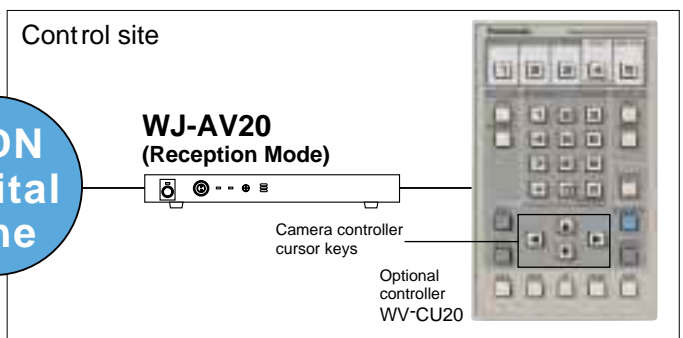
Example using fixed position cameras.

Each WJ-AV20 can be connected both to a single dome camera pre-set to viewpoints optimised for your application environment and up to four additional fixed-position cameras.



The dedicated controller gives you complete command of your cameras.

The optional WV-CU20 controller gives you full remote control of the Panasonic colour dome camera's features including pan, tilt, zoom and auto focus.



Simple installation and operation.

The WV-CU20 Controller makes it easy to set transmission and reception modes, circuit types, transmission speed, image quality and password. It also provides simple one-touch and abbreviated dial access.

Built-in Sequence mode.

Five(5) camera images can be transmitted sequentially to control site for all remote surveillance applications.

ITU-T H.263 Standard

For High Image Quality, and Smooth Motion.

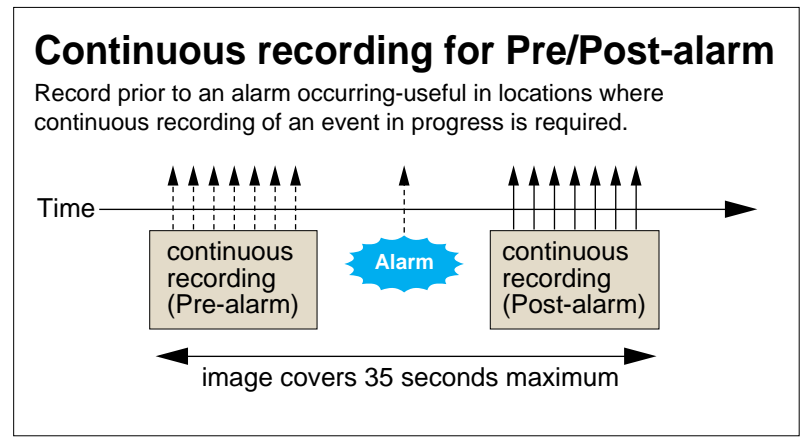
Use of the ITU-T H.263 standard doubles the frame rate compared to previous H.261 standard codec. This makes full-colour images transmitted to the control site easier to watch.



Pre-Alarm Recording

Expanding the Vital Moment To Show You More Clearly What's Happening.

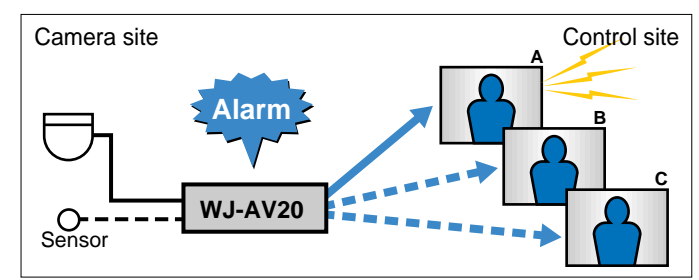
The WJ-AV20 provides 35 seconds of image storage. Control site operators can then retrieve the stored images, making it easy to check what the subject was doing before the alarm was received.



Energy Saving, Highly Efficient

Automatically captures the image and sound by dialing the control centre when an alarm is triggered.

The WJ-AV20 is equipped with input connectors for up to eight sensors. When alarms are triggered, images and sounds are automatically transmitted to the control site. This cost-saving arrangement eliminates the need for constantly open circuits. To prevent human error, the camera and alarm numbers are displayed on the monitor along with the image.



A single sensor can be used to initiate automatic transmission up to three different locations.

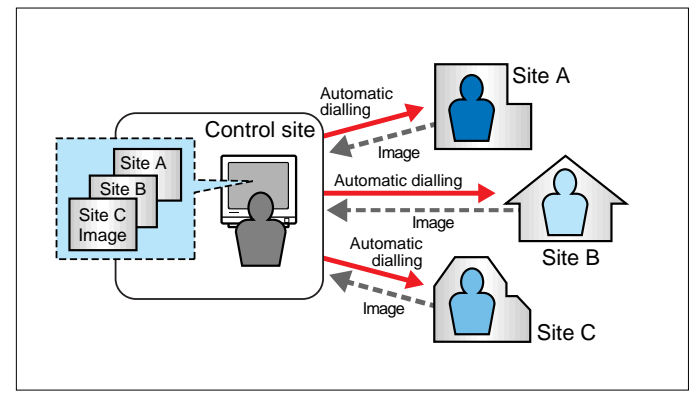
Programed priorities are used to forward signals to a second or third control centre if the first or second is busy.

Time and date can also be programed.

Thus, for example, on workdays signals are transmitted to the company headquarters' own control site. At night or on holidays they are sent to a security organisation with which the company has a contract.

Use the patrol function to monitor multiple locations efficiently.

The patrol function allows you to check a whole series of remote locations with a single command from the optional WV-CU20 controller.



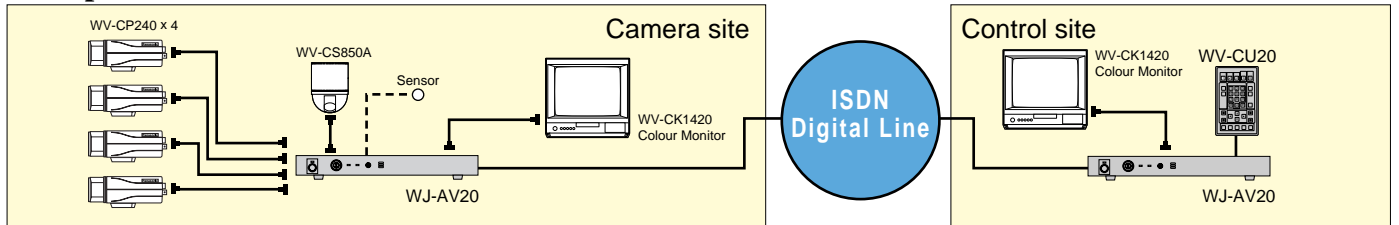
One-touch and abbreviated dialling make it easy to check up to 200 locations.

Each WJ-AV20 supports one-touch dialling to five locations, plus abbreviated dialling for up to 200 locations. This feature makes it simple to reach frequently checked sites.

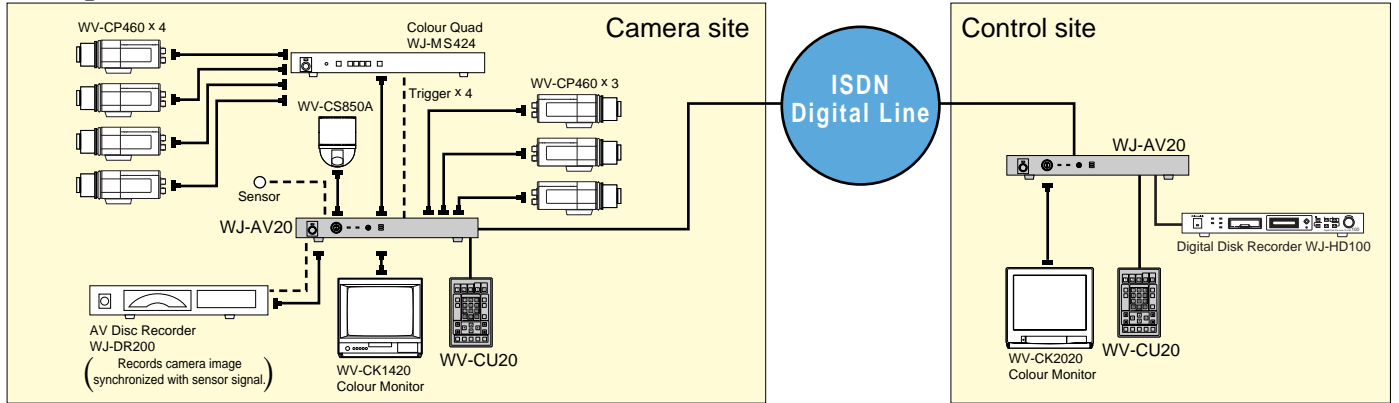
Outstanding Expansion Capabilities

Create the system you need today. When you need more, you can expand, with Panasonic's wide range of surveillance equipment.

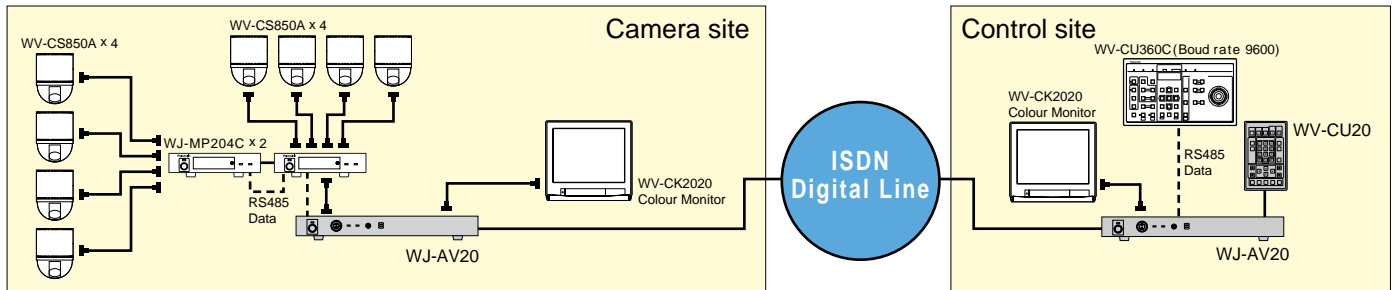
Example 1: Basic system. Supports connecting one colour dome camera and up to 4 fixed-position cameras.



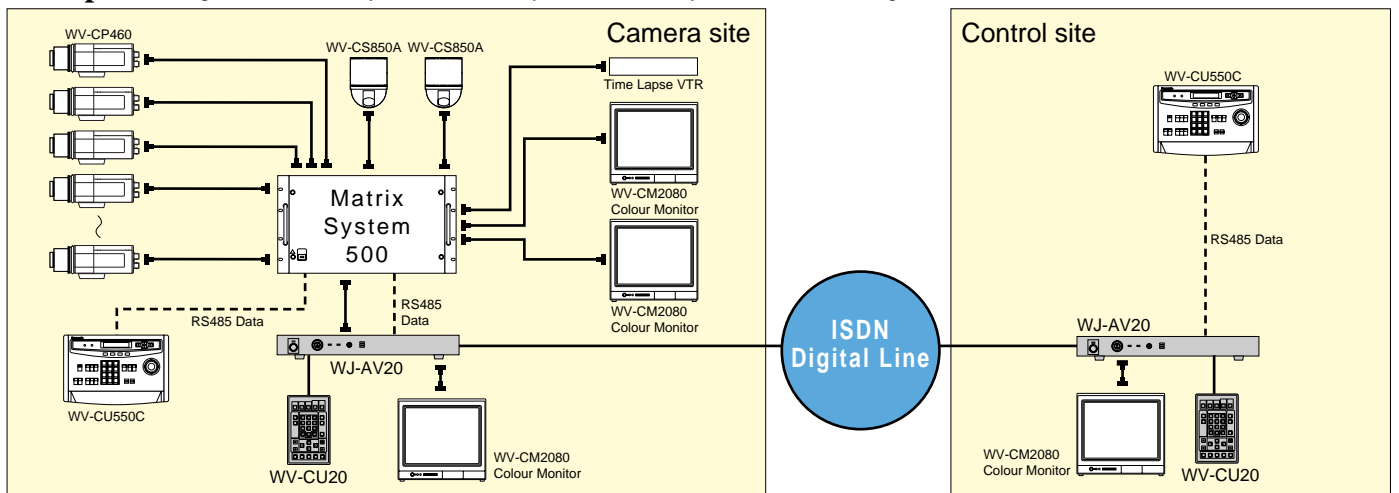
Example 2: Medium scale. Display efficiently shows images from several cameras at once.



Example 3: Medium scale. Up to 8 dome cameras can be selected and controlled by WV-CU360C at control site.



Example 4: Large scale. Matrix System500 allows you to create a system suitable for larger surveillance needs.



Additional features

With sound as well as image, your grasp of what is going on is more realistic.

Adding a mike, speaker and amplifier allows you to hear as well as see what's happening. Sound capabilities make scene assessments more realistic and facilitate communication with police, guards, or managers.

Enjoy a wealth of powerful maintenance and security features.

From the control site you can alter camera site settings. Alarm recording and monitor display capabilities make maintenance quick and easy. Signal source and destination can be checked and internal settings password protected, ensuring security.

MAJOR OPERATING CONTROLS

WJ-AV20

WV-CU20

WJ-AV20 AV Codec		WV-CU20 Controller	
① Power LED	⑩ Local Video Output Connector	① One Touch Dial / Site Control Key	⑨ Redial Key
② Power Switch	⑪ Remote Video Output Connector (1/2)	② Numeric Key	⑩ Delete Key
③ Remote Controller Connector	⑫ Audio Connector (In/Out)	③ Shift Key	⑪ Audio Mute Key
④ Line-1 LED	⑬ Sensor In / Trigger Out Connector	④ Dial Key	⑫ Enter Key
⑤ Line-2 LED	⑭ Parallel Port Connector	⑤ Quick Dial Key	⑬ Tele Key
⑥ Ringer Volume	⑮ Signal Ground Terminal	⑥ Escape Key	⑭ Wide Key
⑦ Ringer Buzzer	⑯ Test Switch	⑦ Menu Key	⑮ Auto Focus Key
⑧ Video Input1 (for Dome Camera)	⑰ Test LED	⑧ Call Key	⑯ Near Key
⑨ Video Input (2~5)			⑰ Far Key

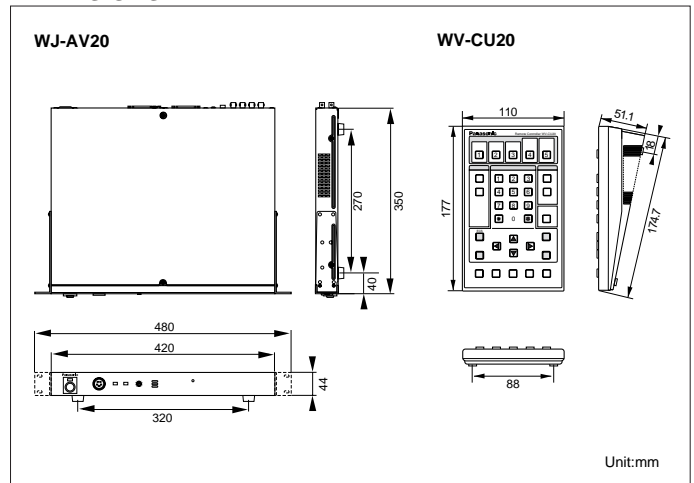
OPTIONAL ACCESSORIES

<p>Super Dynamic II Colour Dome Cameras WV-CS850A Series</p>	<p>Surveillance Colour Cameras WV-CP460 Series WV-CP240 Series</p> <p style="font-size: small;">(Lens : optional)</p>	<p>Colour Monitors WV-CM2080 WV-CK2020 WV-CM1780 WV-CK1420 WV-CM1480 WV-CM1420 WV-CM1020</p>
<p>Digital Disk Recorders WJ-HD500A WJ-HD100</p>	<p>AV Disc Recorder WJ-DR200</p>	<p>Matrix System500</p>

WJ-AV20 : SPECIFICATIONS PAL

General	
Power Supply	220-240V AC, 50Hz
Power Consumption	13W
Line Circuit	ISDN Basic Rate Interface (1B/2B)
Video Input	PAL composite, 1V[p-p] /75Ω, BNC x 5 (ch1 ; for dome camera, ch2-5: any 2:1 interlace cameras)
Remote Video Output	PAL composite, 1V[p-p] /75Ω, BNC 1 ; with setup menu 2 ; non setup menu
Local Video Output	PAL composite, 1V[p-p] /75Ω, BNC
Video Signal DATA-Format	Conform to ITU-T H.263/H.261 (automatic selection) Imaging Pixels : CIF 352 x 288 (Max. 15fps) / QCIF 176 x 144 (25fps)
Video Memory	Max. 35 seconds
Audio Input/Output	Input x 1, Output x 1, (RCA pin-jack ; -10dB)
Audio Signal DATA-Format	G.728(G.711):frequency 3.4kHz, G.722:frequency 7kHz, or non audio signal
Dimensions	420(W) x 44(H) x 350(D) mm
Weight (approx.)	4 kg
Control Port	
Data Port	RS-485(RJ-11 connector), Communication speed:4800bps/9600bps
Parallel Port	Dsub 25-pin (Female) x 1
Sensor/Alarm Port	Dsub 25-pin (Female) x 1
Host Port	RS-232C (Dsub 9-pin)(Male) x 1 or RS-485 (RJ-11 connector) x 1

DIMENSIONS



• All TV pictures are simulated. • Weights and dimensions are approximate. • Specifications are subject to change without notice. • These products may be subject to export control regulations.

DISTRIBUTED BY:

Panasonic

Panasonic is the brandname of Matsushita Electric.

Printed in Japan

WJ-JKAV20C (2N-646D)