

Sequential Switcher WJ-SQ208

8 camera inputs

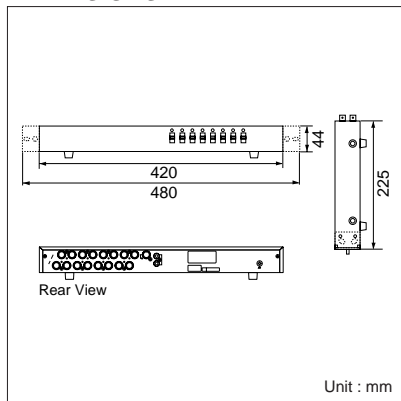


- 8 camera inputs and loop-through outputs
- BYPASS/AUTO/SPOT switch
- Adjustable dwell time
- Optional rackmount angle for EIA 19-type rack: WV-Q61 is available

WV-Q61
(optional)



DIMENSIONS



SPECIFICATIONS

Camera Inputs	1.0 V [p-p] composite / 75 Ω (BNC) x 8, with loop-through outputs
Camera Outputs	SEQUENCE/SPOT OUT: Automatically switchable 1.0 V [p-p] composite/75 Ω (BNC) x 1
Frequency Response	4 MHz +1 dB
Gain	Unity
Switching Interval	Approx. 1 to 30 sec.
Ext. Time Input	None
Ext. Time Output	None
Alarm Input	None
Operating Time of Alarm	None
Alarm Output	None
Reset Output	None
Recover Input	None
Alarm Buzzer	None
Power Source	12 V DC, 0.1 A
Ambient Operating Temperature	-10°C - +50°C
Dimensions (W x H x D)	420 x 44 x 225 mm
Weight	4.2 kg
Three-Position Lever Switches	BYPASS: Skipping camera from sequence AUTO: Auto sequence SPOT MON: Continuous image to spot monitor

Sequential Switcher WJ-SQ308

8 camera inputs

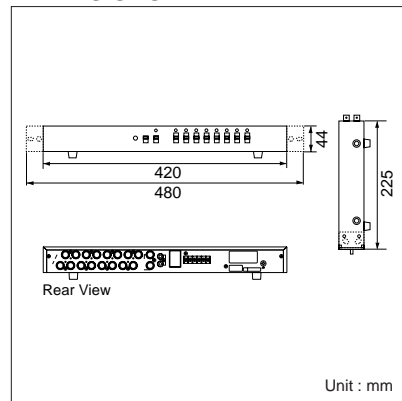


- 8 camera inputs and loop-through outputs
- BYPASS/AUTO/SPOT switch
- Adjustable dwell time
- 8 alarm inputs
- Alarm/spot or alarm/sequence output automatically switches to alarm display when alarm sensor is triggered.
- External timing input/output
- Optional rackmount angle for EIA 19-type rack: WV-Q61 is available

WV-Q61
(optional)



DIMENSIONS



SPECIFICATIONS

Camera Inputs	1.0 V [p-p] composite / 75 Ω (BNC) x 8, with loop-through outputs
Camera Outputs	ALARM / SEQUENCE OUT: 1.0 V [p-p] composite / 75 Ω (BNC) x1 ALARM / SPOT OUT: 1.0 V [p-p] composite / 75 Ω (BNC) x1
Frequency Response	4 MHz +1 dB
Gain	Unity
Switching Interval	Approx. 1 to 30 sec.
Ext. Time Input	5.0 V [p-p] timing pulse from time-lapse VTR, or other sequential switchers external timing output (WJ-SQ308)
Ext. Time Output	Open collector (max.30 V DC, max.100 mA) looping through of Ext. Time In or internal timing pulse (normally connected to VTR or to other sequential switchers external timing input : WJ-SQ308)
Alarm Input	Open collector, 8 inputs (16-pin)
Operating Time of Alarm	Factory set: approx.1 min (internally adjustable 1 to 5 min.)
Alarm Output	Open collector (max.30 V DC, max.100 mA)
Reset Output	5.0 V DC
Recover Input	Open collector
Alarm Buzzer	None
Power Source	12 V DC, 0.12 A
Ambient Operating Temperature	-10°C - +50°C
Dimensions (W x H x D)	420 x 44 x 225 mm
Weight	4.2 kg
Three-Position Lever Switches	BYPASS: Skipping camera from sequence AUTO: Auto sequence SPOT MON: Continuous image to spot monitor

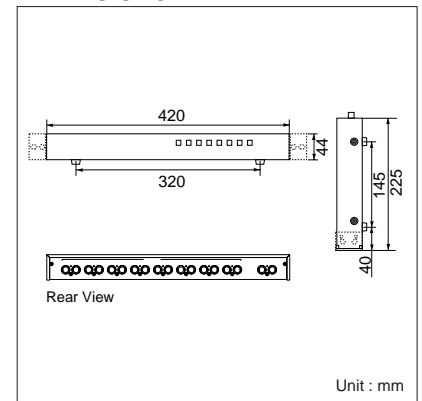
Video Switcher WJ-SW208

8 camera inputs



- Loop-through 8-channel switcher

DIMENSIONS



SPECIFICATIONS

Multiplex Input	8 Inputs, BNC Connectors
Multiplex Loop-through Output	8 Outputs, BNC Connectors
Video Output	1 Output, BNC Connector
Video Return Input	1 Input, BNC Connector
Camera Selection Switch	Mechanical lock-release push-type
Ambient Operating Temperature	-10°C - +50°C
Dimensions (W x H x D)	420 x 44 x 225 mm
Weight	2.3 kg