



An Attractive, Yet Discreet Micro Dome B/W Camera Featuring The Latest Panasonic Surveillance Technologies.

Panasonic presents WV-BF102.

A dome type B/W video surveillance device that incorporates a 1/4" high performance CCD. With a newly developed IC circuit, the camera section provides a 370-line horizontal resolution and a S/N ratio of 46 dB.

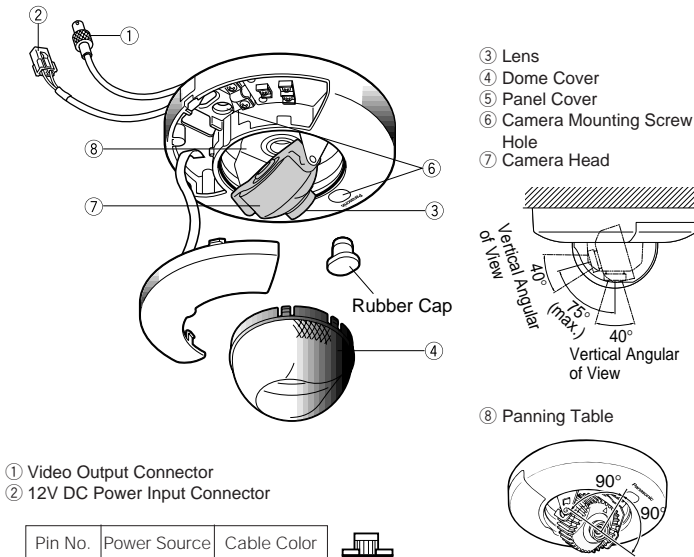
A f3.8mm, F2.0 focal lens allows for easy installation and utilization flexibility.

With its covert design, the WV-BF102 is suitable for banks, hotels, and many other commercial facilities.

Key Features

- 2.5" compact micro dome black & white camera
- 370-line horizontal resolution
- 46 dB S/N ratio
- Minimum illumination of 0.3 lx
- 180° panning and 150° tilting angle adjustable
- Built-in fixed focal lens : f = 3.8 mm, F2.0
- 12V DC operation
- A wide variety of optional camera lenses to suit various applications are available.

MAJOR OPERATING CONTROLS

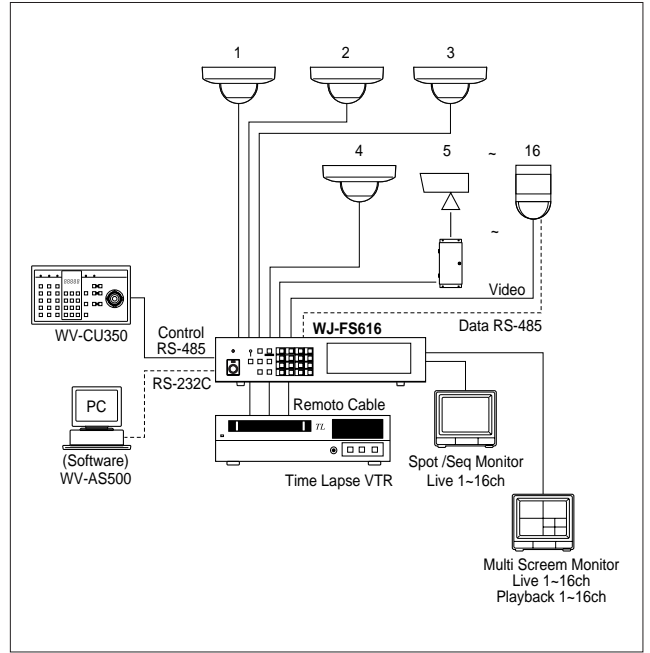


- ① Video Output Connector
- ② 12V DC Power Input Connector

Pin No.	Power Source	Cable Color
1	Ground	Black
2	DC 12V	White



SYSTEM EXAMPLES



OPTIONAL LENSES & ACCESSORIES

Fixed Iris Lenses WV-LXY18C4 WV-LXY23C4 WV-LXY47C4 	Quad Unit WJ-410 	Digital Video Multiplexers WJ-FS216 WJ-FS616 	B/W CCTV Monitors WV-BM500 WV-BM900 WV-BM1410 WV-BM1700 WV-BM1900 
----------------------------------------------------------------------------------------------------------------------------------------------------------------------------	-----------------------------------------------------------------------------------------------------------------------	--------------------------------------------------------------------------------------------------------------------------------------------------------------	-----------------------------------------------------------------------------------------------------------------------------------------------------------------------------------------------------------------

SPECIFICATIONS CCIR

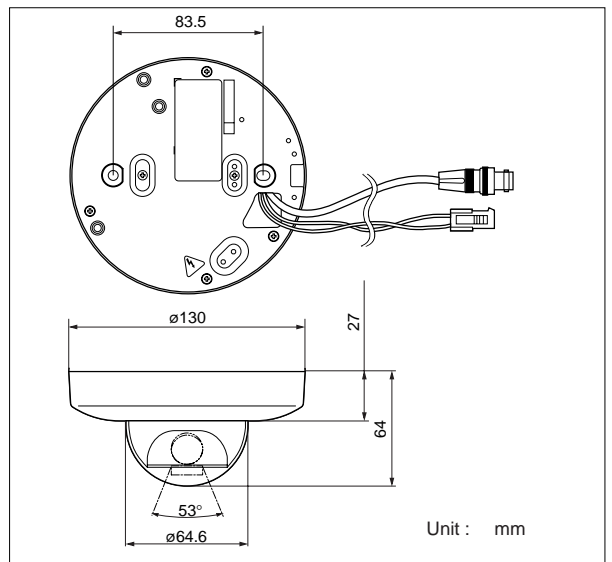
Pick-up Device	512 (H) x 582 (V) pixels, Interline Transfer CCD
Scanning Area	3.61 (H) x 2.72 (V) mm (Equivalent to scanning area of 1/4" pick-up tube)
Scanning	625 lines / 50 fields / 25 frames
Horizontal	15.625 kHz
Vertical	50 Hz
Synchronization	Internal
Video Output	1.0 V[p-p] CCIR composite 75 Ω / BNC connector
Horizontal Resolution	370 lines
Signal-to-Noise Ratio	46 dB (AGC OFF, weight ON)
Minimum Illumination	0.3 lx at F2.0
Angular Field of View	Horizontal: 53° Vertical: 40° (f = 3.8 mm)
Ambient Operating Temperature	-10°C - +50°C
Ambient Operating Humidity	Less than 90%
Power source	12 V DC, 80 mA
Dimensions	ø130 x 64 mm
Weights	0.3 kg

STANDARD ACCESSORY

Rubber Cap 1

Specifications are subject to change without notice.
 Dimensions and weight are approximate.
 This product may be subject to export control regulations.

APPEARANCE



DISTRIBUTED BY:

Panasonic

Panasonic is the brandname of Matsushita Electric.

Printed in Japan
 (N-614A)