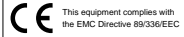


35cm CRT B/W Video Monitor

WV-BM1410

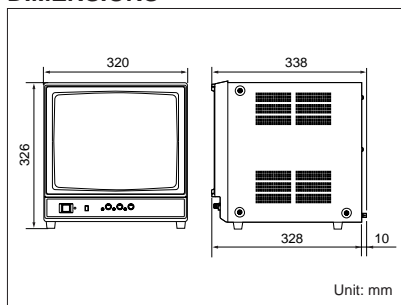


- 35cm diagonal CRT size.
32cm diagonal actual visual size.
- 1,000 lines resolution at centre.
- DC restoration.
- Short H. AFC time constant for VTR playback.
- Under or normal scan size (Switchable).
- Can be mounted into a standard 19-type rack with optional adaptor WV-Q21W.

WV-Q21W
(optional)



DIMENSIONS



Unit: mm

SPECIFICATIONS

Power Source	220 - 240 V AC, 50 Hz
Power Consumption	32 W
Actual Visual Size (Approx.)	32 cm diagonal
CRT Size (Approx.)	35 cm diagonal
19-type Rack-Mount	△ Yes
Video Input	1
External Sync	No
Horizontal Resolution	1,000 lines at centre
Sweep Linearity (over scan)	Less than 5 %
Sweep Geometry	Less than 2 %
Scanning	Switchable
Overscanning	6 %
Underscanning	5 %
DC Restoration	Yes
Dimensions (W x H x D)	320 x 326 x 338 mm
Weight	10 kg

△: With optional rack angle bracket.

25cm CRT B/W Video Monitor

WV-BM990

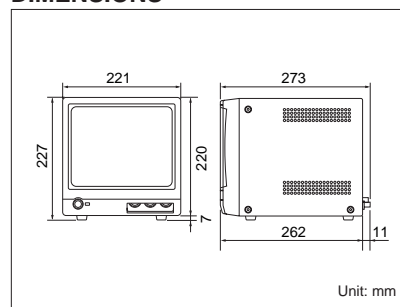


- 25cm diagonal CRT size.
22cm diagonal actual visual size.
- Actual visual size: 22 cm diagonal.
- 800 lines resolution at centre.
- Looping through BNC connectors for video input and output.
- Optional adaptor WV-Q29A for EIA 19-type rack (up to two monitors).

WV-Q29A
(optional)



DIMENSIONS



Unit: mm

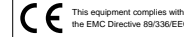
SPECIFICATIONS

Power Source	220 - 240 V AC, 50 Hz
Power Consumption	28 W
Actual Visual Size (Approx.)	23 cm diagonal
CRT Size (Approx.)	24.5 cm diagonal
19-type Rack-Mount	△ Yes
Video Input	1
External Sync	No
Horizontal Resolution	800 lines at centre
Sweep Linearity (over scan)	Less than 5 %
Sweep Geometry	Less than 2 %
Scanning	Fixed
Overscanning	6 %
Underscanning	No
DC Restoration	Yes
Dimensions (W x H x D)	221 x 227 x 273 mm
Weight	5.2 kg

△: With optional rack angle bracket.

14cm CRT B/W Video Monitor

WV-BM500

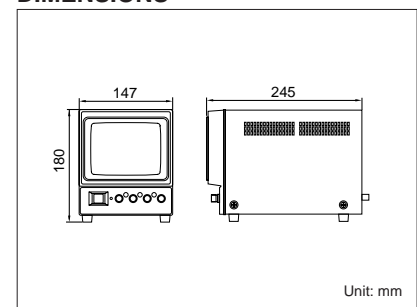


- 14cm diagonal CRT size.
13cm diagonal actual visual size.
- 700 lines resolution at centre.
- DC restoration (ON/OFF Switchable).
- Standard BNC-type connectors for independent video and sync inputs and outputs.
- Short H. AFC time constant for VTR playback (Available in CCIR standard only).
- Can be mounted into a standard 19-type rack with optional adaptor WV-Q64. (triple)

WV-Q64
(optional)



DIMENSIONS



Unit: mm

SPECIFICATIONS

Power Source	220 - 240 V AC, 50 Hz
Power Consumption	14 W
Actual Visual Size (Approx.)	13 cm diagonal
CRT Size (Approx.)	14 cm diagonal
19-type Rack-Mount	△ Yes
Video Input	1
External Sync	Yes
Horizontal Resolution	700 lines at centre
Sweep Linearity (over scan)	Less than 5 %
Sweep Geometry	Less than 2 %
Scanning	Fixed
Overscanning	5 %
Underscanning	No
DC Restoration	Yes (switchable)
Dimensions (W x H x D)	147 x 180 x 245 mm
Weight	2.3 kg

△: With optional rack angle bracket.