

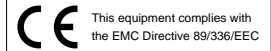
1/3-type B/W CCD Cameras

WV-BP140 Series

WV-BP140 (AC230 V)

WV-BP142 (DC12 V)

WV-BP144 (AC24 V)



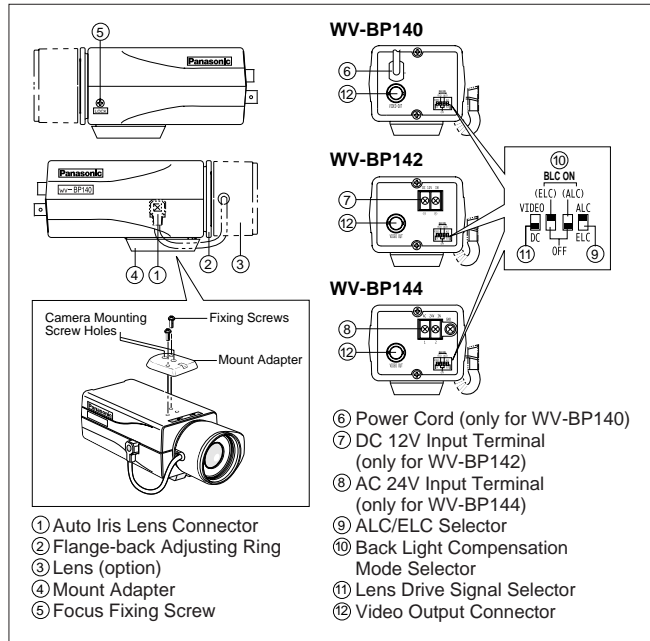
Lens: optional

KEY FEATURES

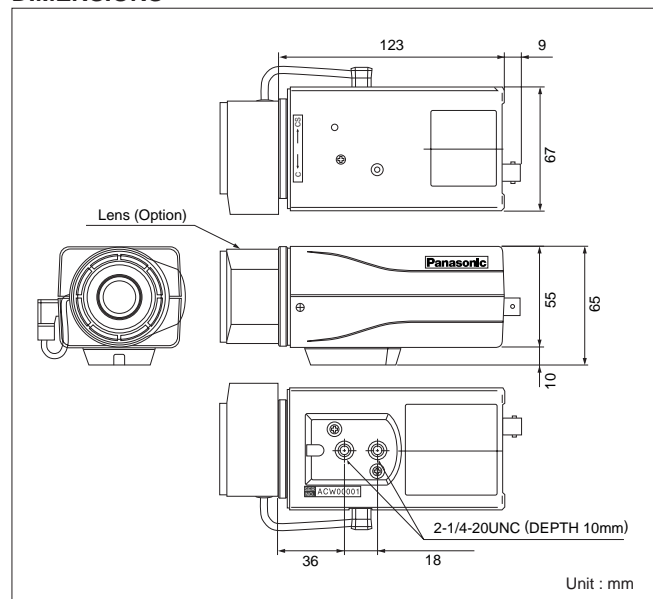
- 1/3-type CCD pick-up element with 500 (H) x 582 (V) pixels provides 380 lines of horizontal resolution.
- Minimum illumination of 0.08 lx at F1.4
- Advanced Electronic Light Control (ELC) allows for the use of fixed iris lenses such as Panasonic's WV-LFY3C3, WV-LFY45C3 and WV-LFY9C3.
- Selectable Back-Light Compensation feature.
- WV-BP140 and WV-BP144: Line-lock or Multiplexed Vertical Drive (VD2)
WV-BP142: Internal or Multiplexed Vertical Drive (VD2)
- Selectable auto iris control from a video signal or DC control signal.
- Accepts C-and CS-mount lenses.
- The maximum extensible coaxial cable length between the camera and the monitors.

Type of coaxial cable	RG-59/U or equivalent
Recommended maximum cable length	250 m

MAJOR OPERATING CONTROLS



DIMENSIONS



SPECIFICATIONS

Model No.	WV-BP140	WV-BP142	WV-BP144
Pick-up Device	500 (H) x 582 (V) pixels, Interline Transfer CCD		
Scanning Area	4.90 (H) x 3.67 (V) mm (Equivalent to scanning area of 1/3" pick-up tube)		
Synchronization	Internal Line-locked or Multiplexed Vertical Drive (VD2)		
Scanning System	2:1 interlace		
Scanning	625 lines/ 50 fields/ 25 frames Horizontal: 15.625 kHz Vertical: 50 Hz		
Horizontal Resolution	380 lines		
Video Output	1.0 V _{p-p} CCIR composite 75 Ω / BNC connector		
Signal-to-Noise Ratio	46dB		
Electronic Light Control	Equivalent to continuous variable shutter speed between 1/50s and 1/120,000s		
Minimum Illumination	0.08 lx at F1.4		
Back Light Compensation	Selectable back light compensation (BLC)		
Lens Mount	C-mount or CS-mount selectable		
Ambient Operating Temperature	-10°C - +50°C		
Ambient Operating Humidity	Less than 90%		
Power Source and	230V AC 50Hz	12V DC	24V AC 50Hz
Power Consumption	2.6 W	175 mA	2.1 W
Dimensions (W x H x D)	67 x 65 x 123 mm (without lens)		
Weights (without lens)	495 g	330 g	350 g