



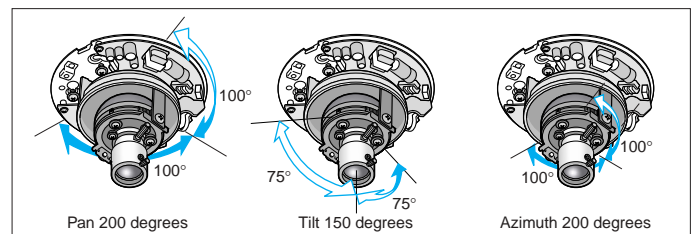
### EQUIPPED WITH 2x VARIABLE-FOCAL LENS, THIS COST-EFFECTIVE COLOR DOME CAMERA PERFORMS SUPERBLY ACROSS A WIDE RANGE OF APPLICATIONS.

The new WV-CF224 Color Dome Camera from Panasonic is equipped with a 380,000 pixel, 1/4-type CCD and can be used with both AC and DC power sources. In addition to 480-line horizontal resolution, it can operate effectively in lighting as low as 2 lux (0.2 fc) with an aperture setting of F1.4. A full range of correction features including Backlight Compensation (BLC), Aperture Correction, and Auto Tracing White Balance (ATW) ensure crisp color images in dark or backlit environments. The 2.8mm to 6.0mm variable-focal lens is standard equipment, and provides easy installation and camera angle adjustment. When used with a 24-volt AC power source, it simultaneously supports Internal, Line-Lock, and VD2 synchronization, making it simple to configure a reliable, multi-channel camera system.

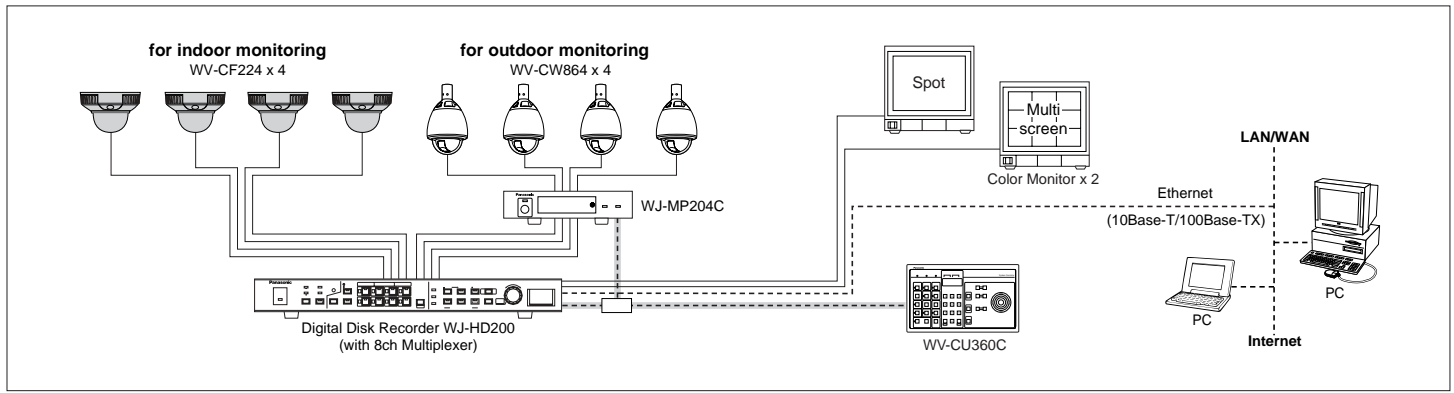
Great specs, great cost, great simple installation and great flexibility for system configuration: The WV-CF224 has everything it takes to succeed in all applications.

#### KEY FEATURES

- 135mm (5-5/16") diameter compact color dome camera for indoor use.
- 480-line horizontal resolution.
- Minimum illumination of 2 lux (0.2 fc).
- 50dB signal to noise ratio.
- Built-in 2x variable-focal lens (2.8-6.0mm).
- Built-in aperture level (sharp/soft) correction.
- Advanced digital adaptive Back-Light Compensation (BLC) capability.
- Internal/Line-lock/VD2 synchronization (Line-lock : 24V AC operation only).
- Vertical drive (VD2) sync capability with Panasonic system products.
- Video monitor output jack provides on the spot checking of the lens angle setting.
- Can be installed in existing standard electronic junction box.
- 24V AC/12V DC compatible power source operation to suit a wide variety of applications.
- The 3-dimensional hinge (Pan, Tilt and Azimuth) allows the camera to be rotated as well as moved horizontally and vertically. Choose precisely the camera angle you need. No camera makes it easier.



## SYSTEM EXAMPLE



## OPTIONAL COMPONENTS

|  |  |
|--|--|
| Digital Disk Recorder with 16ch Multiplexer<br><b>WJ-HD500B</b><br>PS•Data<br> | Digital Disk Recorder with 8ch Multiplexer<br><b>WJ-HD200</b><br>PS•Data<br>  |
| Data Multiplex Unit<br><b>WJ-MP204C</b><br>PS•Data<br>                        | Color Monitors<br><b>WV-CM2080</b> PS•Data<br><b>WV-CM1780</b> PS•Data<br><b>WV-CM1480</b> PS•Data<br><b>WV-CM1420</b><br><b>WV-CM1020</b><br> |
| System Controller<br><b>WV-CU360C</b><br>PS•Data<br>                         |  |

## MAJOR OPERATING CONTROLS

- ① Camera Panel
- ② Pan/Tilt/Azimuth Table
- ③ Focus Lever
- ④ Zoom Lever
- ⑤ Video Jack (3.5-diam. mini jack)
- ⑥ Video Output Connector
- ⑦ Power Cable
- ⑧ Aperture Level Selector
- ⑨ Back Light Compensation Selector
- ⑩ Synchronization Mode Selector
- ⑪ Panel Cover

## SPECIFICATIONS

|  |   |
|--|---|
| <b>Pick-up Device</b>                        | 768 (H) x 494 (V) pixels, interline transfer CCD                        |
| <b>Scanning Area</b>                         | 3.6 (H) x 2.7 (V) mm (equivalent to scanning area of 1/4" pick-up tube) |
| <b>Synchronization</b>                       | Internal, Line-lock (24 V AC only) or multiplexed vertical drive (VD2)  |
| <b>Scanning System</b>                       | 2 : 1 interlace   |
| <b>Scanning</b>                              | 525 lines / 60 fields / 30 frames                                       |
| Horizontal                                   | 15.734 kHz  |
| Vertical                                     | 59.94 Hz  |
| <b>Horizontal Resolution</b>                 | 480 lines   |
| <b>Video Output</b>                          | 1.0 V[p-p] NTSC composite 75 Ω  |
| <b>Automatic Gain Control (AGC)</b>          | +18 dB  |
| <b>Automatic Tracing White Balance (ATW)</b> | ON only   |
| <b>Signal-to-Noise Ratio</b>                 | 50 dB (equivalent to AGC Off, weight On)                                |
| <b>Minimum Illumination</b>                  | 2.0 lux (0.2 fc) at F1.4 (WIDE)   |
| <b>Back Light Compensation (BLC)</b>         | On or Off   |
| <b>Detail</b>                                | Sharp or Soft, selectable   |
| <b>Lens</b>                                  | 2x variable-focal lens  |
| Focal Length                                 | 2.8 ~ 6.0mm   |
| F Number                                     | F1.4 (Wide) to F176, close / F1.8 (Wide) to F176, close                 |
| Min. Object Distance                         | 1.2 m   |
| <b>Panning Range</b>                         | 200° (±100°)  |
| <b>Tilting Range</b>                         | 150° (±75°)   |
| <b>Azimuth Range</b>                         | 200° (±100°)  |
| <b>Ambient Operating Temperature</b>         | -10°C - +50°C (14°F - 122°F)  |
| <b>Ambient Operating Humidity</b>            | Less than 90 %  |
| <b>Power Source and Power Consumption</b>    | 12 V DC, 235 mA<br>24 V AC 60 Hz, 2.8 W                                 |
| <b>Dimensions</b>                            | ø135 (D) x 90 (H) mm [ø 5-5/16" (D) x 3-9/16" (H)]                      |
| <b>Weights</b>                               | 0.46 kg (1.01 lbs.)   |

## APPEARANCE

• Weights and dimensions are approximate. • Specifications are subject to change without notice. • These products may be subject to export control regulations.

# Panasonic

**Panasonic Digital Communications & Security Company**  
Unit of Matsushita Electric Corporation of America

**Security Systems Group**  
<http://www.panasonic.com/cctv>

**Executive Office** : One Panasonic Way 3E-7, Secaucus, New Jersey 07094  
**Zone Office**  
**Eastern** : One Panasonic Way, Secaucus, NJ 07094 (201) 348-7303  
**Central** : 1707 N.Randal Road, Elgin, IL 60123 (847) 468-5205  
**Western** : 6550 Katella Ave., Cypress, CA 90630 (714) 373-7840

DISTRIBUTED BY:

**PANASONIC CANADA INC.**  
5770 Ambler Drive, Mississauga, Ontario, L4W 2T3 Canada (905) 624-5010  
**PANASONIC SALES COMPANY**  
**DIVISION OF MATSUSHITA ELECTRIC OF PUERTO RICO, INC.**  
 San Gabriel Industrial Park 65th Infantry Ave. KM. 9.5 Carolina, P.R. 00985 (809) 750-4300

Printed in Japan  
WV-JHCF224T(2P-510)