



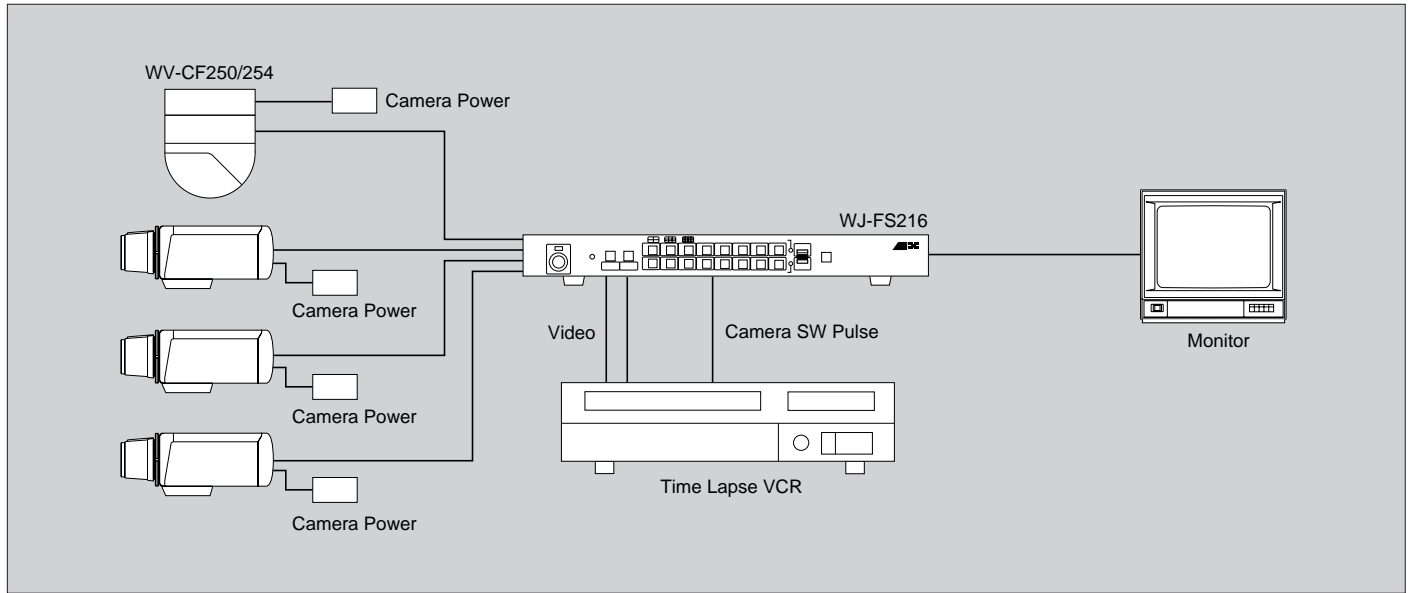
SMARTLY DESIGNED FIXED COLOUR DOME CAMERA FEATURING LATEST DIGITAL TECHNOLOGIES

The WV-CF250/254 fixed colour dome camera features the Super Dynamic function, built-in vari-focal lens and digital video signal processor. The Super Dynamic function enables 40 times wider dynamic range when compared to conventional cameras, and captures images in dark and bright areas simultaneously. The vari-focal lens allows for versatile utilization and installation flexibility. Together with a 753 horizontal pixel resolution CCD, the digital signal processor creates a sharp luminance signal and brilliant chrominance signal. With its attractive design, the WV-CF250/254 works well in banks, hotels, and other commercial facilities.

Key Features

- Super dynamic function.
- Built-in vari-focal lens: f 3.2-6.4 mm, F 1.6-1.9.
- 753 horizontal pixels CCD with 480 TV line horizontal resolution.
- Chroma averaging circuit.
- Signal to noise ratio 50 dB.
- On screen setup menu.
- 220-240V AC (WV-CF250) / 24 V AC (WV-CF254)
- Single wire control for Menu Set up.
- Minimum illumination of 5 lx (0.5 foot candle).
- 2H type vertical enhancer.
- High light aperture correction.

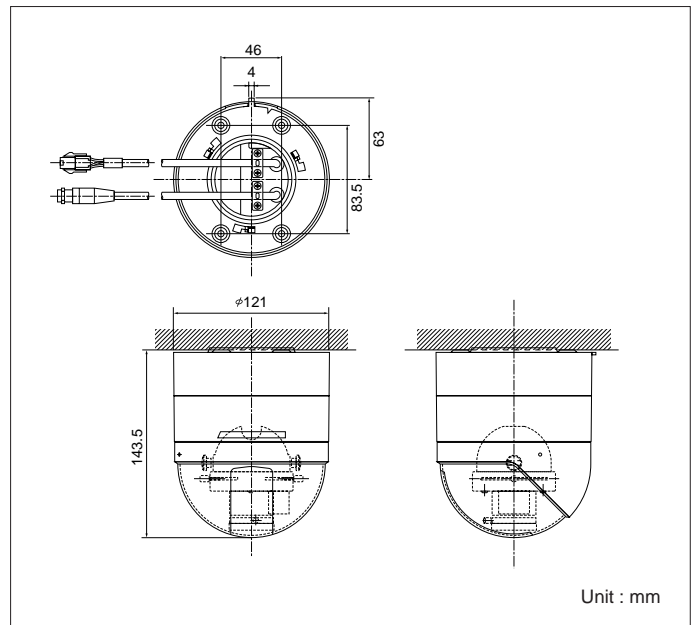
SYSTEM CONNECTION



SPECIFICATIONS PAL

Model No.	WV-CF250	WV-CF254
Pick-up Device	753 (H) x 582 (V) pixels, Interline Transfer CCD	
Scanning Area	4.9 (H) x 3.6 (V) mm (Equivalent to scanning area of 1/3" pick-up tube)	
Scanning	625 lines / 50 fields / 25 frames	
	Horizontal	15.625 kHz
Vertical	50.00 Hz	
Synchronization	Internal Sync / Line Lock / VD2	
Video Output	1.0 V [p-p] PAL composite 75Ω/ BNC connector	
Horizontal Resolution	480 TV Line	
Signal-to-Noise Ratio	50 dB (AGC OFF, weight ON)	
Minimum Illumination	5 lx (0.5 footcandle) at WIDE end	
Lens	Variable focal ALC lens: f 3.2 mm-f 6.4 mm (x2), F1.6 (wide)-F1.9 (tele) Angular field of view: Horizontal: 76.7 (wide)-41.5 (tele); Vertical: 59.8 (wide)-31.9 (tele)	
Gain Control	Selectable AGC ON or OFF (SETUP MENU)	
White Balance	Selectable ATW or AWC (SETUP MENU)	
Aperture	Variable (SETUP MENU)	
Electronic Light Control	Equivalent to continuously variable shutter speed between 1/50 second and 1/10,000 second	
Super-Dynamic	Selectable On or Off (SETUP MENU)	
Electronic Shutter Speed	Selectable 1/50 (OFF), 1/120, 1/250, 1/500, 1/1,000, 1/2,000, 1/4,000, 1/10,000 second	
Ambient Operating Temperature	-10°C ~ +50°C (14° F ~ 122° F)	
Ambient Operating Humidity	Less than 90 %	
Power Source	220-240 V AC 50 Hz, 4.6 W	24 V AC 50 Hz, 4.6 W
Dimensions	ø121 x 143.5 mm	
Weights	1.2 kg	1.1 kg

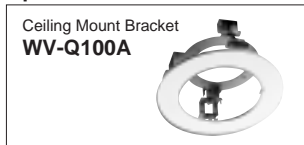
APPEARANCE



●STANDARD ACCESSORY

Camera Fixing Bracket1

Optional Accessories



- Weights and dimensions are approximate.
- Specifications are subject to change without notice.
- These products may be subject to export control regulations.

DISTRIBUTED BY: