



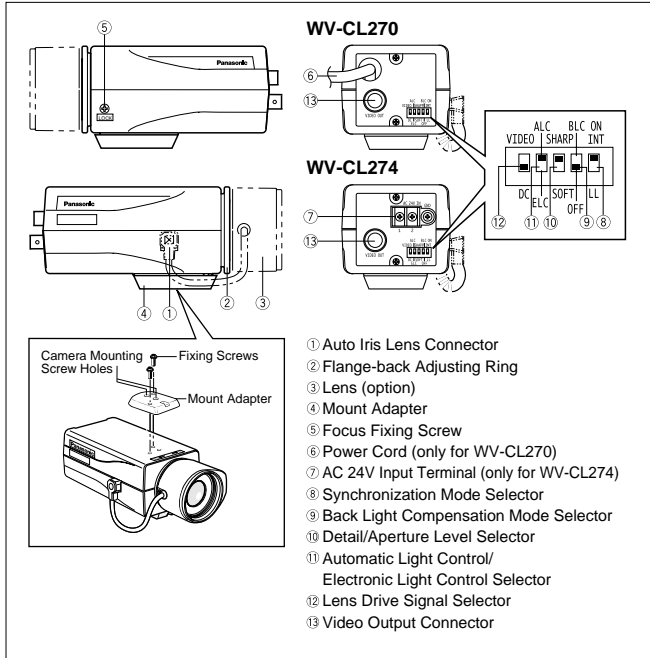
## COLOUR SURVEILLANCE CAMERAS FOR HIGHER SENSITIVITY, HIGHER QUALITY IMAGES, AND HIGHER COST PERFORMANCE

Panasonic's new WV-CL270 series surveillance cameras combine a 438,000 pixel, 1/2-type CCD with the high precision of Digital Signal Processing (DSP). Their design allows you to capture images in light as low as 0.8 lx (when using an F1.4 lens). The higher quality output has 480 lines of horizontal resolution and a signal-to-noise ratio of 50dB. A rich array of additional features includes Backlight Compensation (BLC), Aperture Correction, and Auto Tracing White Balance (ATW), making these cameras ideal in a wide range of surveillance environments where applications require clear, natural, colour images of backlit or low-light scenes. Combining a wealth of features with high cost-performance, WV-CL270 series are the perfect surveillance solution for small retail stores, hotels, restaurants, shopping malls, and parking garages.

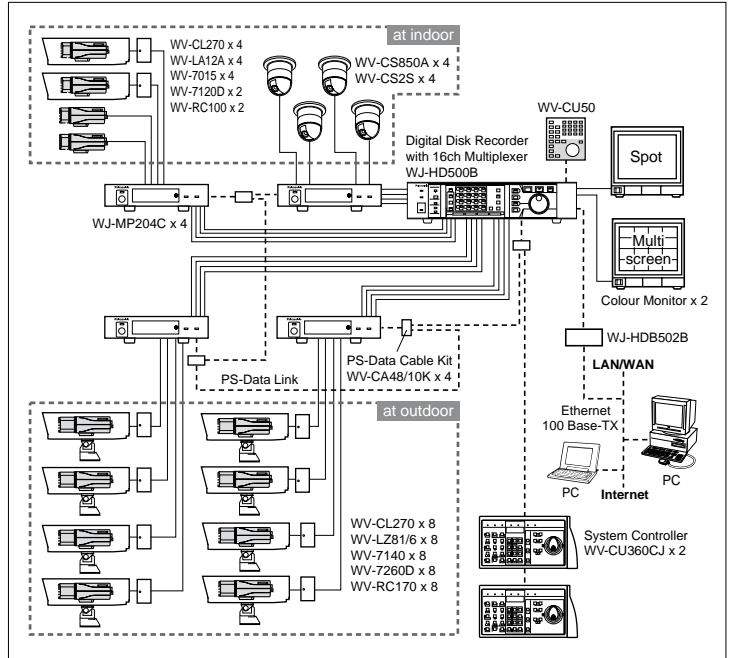
### KEY FEATURES

- 1/2-type CCD pick-up element with 752 (H) x 582 (V) pixels.
- 480 lines of horizontal resolution.
- Minimum scene illumination of 0.8 lx at F1.4.
- Digital Signal Processing (DSP) minimizes aliasing (the creation of colour noise) when viewing patterned objects.
- Vertical digital enhancement and digital aperture correction improves signal strength at the horizontal and vertical edges for sharper images.
- Advanced digital adaptive backlight compensation (BLC) capability.
- Knee circuit effectively expands the dynamic range when viewing brightly illuminated objects.
- Outstanding 50dB signal-to-noise ratio.
- Accepts both DC and Video voltage for ALC lenses.
- An advanced Electronic Light Control (ELC) enables the use of inexpensive fixed iris lenses for more cost effective systems.
- Line-lock capability for roll-free picture during systems operation switching.
- VD2 sync capability with Panasonic system products.
- Optional Panasonic 1/2-type lenses are available to suit various applications.
- WV-CL270 Camera Series are
  - WV-CL270 ; 220 - 240 V AC, 50 Hz
  - WV-CL274 ; 24 V AC, 50 Hz







## MAJOR OPERATING CONTROLS



## SYSTEM EXAMPLE

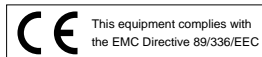


## OPTIONAL COMPONENTS & ACCESSORIES

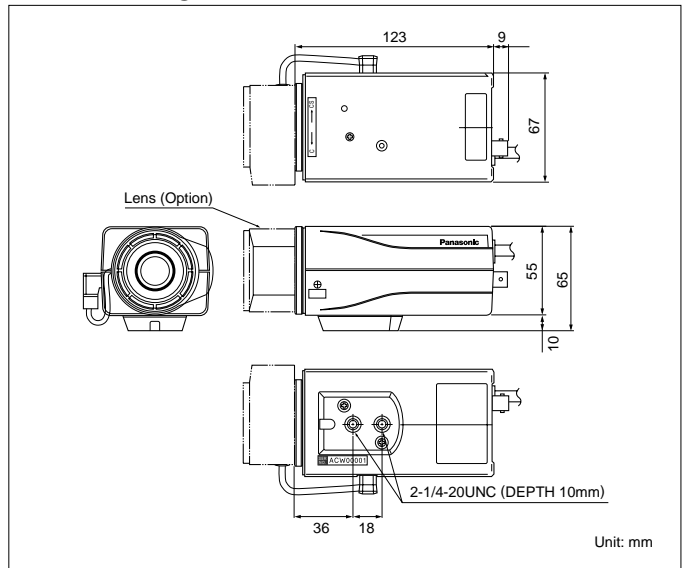
<p>ALC Lenses</p> <p><b>WV-LA4R5A</b></p> <p><b>WV-LA6A</b></p> <p><b>WV-LA12A</b></p> <p><b>WV-LA18</b></p> <p><b>WV-LA36</b></p> 	<p>Zoom Lenses</p> <p><b>WV-LZ81/6 (6x)</b></p> <p><b>WV-LZ81/10 (10x)</b></p>  <p>Variable Focal Lenses</p> <p><b>WV-LZ80/2</b></p> 	<p>Digital Video Multiplexers</p> <p><b>WJ-FS409</b></p> <p><b>WJ-FS416</b></p> 	<p>Colour Monitors</p> <p><b>WV-CM1020</b></p> <p><b>WV-CM1420</b></p> <p><b>WV-CM1480</b></p> <p><b>WV-CM1780</b></p> <p><b>WV-CM2080</b></p> 	<p>Digital Disk Recorders</p> <p><b>WJ-HD500B</b> (with 16ch Multiplexer)</p> <p><b>WJ-HD200</b> (with 8ch Multiplexer)</p> <p><b>WJ-HD100</b></p> 
---	--	---	--	---

## SPECIFICATIONS PAL

Model No.	WV-CL270	WV-CL274
Pick-up Device	752 (H) x 582 (V) pixels, Interline Transfer CCD	
Scanning Area	6.45 (H) x 4.84 (V) mm (Equivalent to scanning area of 1/2" pick-up tube)	
Synchronization	Internal, Line-locked or Multiplexed Vertical Drive (VD2), selectable	
Scanning System	2: 1 interlace	
Scanning	625 lines / 50 fields / 25 frames	
	Horizontal	15.625 kHz
Vertical	50 Hz	
Horizontal Resolution	480 lines	
Video Output	1.0 V[p-p] PAL composite 75 Ω / BNC connector	
Signal-to-Noise Ratio	50 dB (AGC Off, weight On)	
Electronic Light Control	Equivalent to continuous variable shutter speed between 1/50 s and 1/15,000 s	
Minimum Illumination	0.8 lx at F1.4	
Detail	SHARP or SOFT, selectable	
Lens Mount	CS-mount	
Ambient Operating Temperature	-10 °C - +50 °C	
Ambient Operating Humidity	Less than 90 %	
Power Source and Power Consumption	220V-240V AC, 50Hz	24 V AC, 50 Hz
	3.8W	3.5W
Dimensions (without lens) (W x H x D)	67 x 65 x 123 mm	
Weights (without lens)	495 g	350 g



## APPEARANCE



\*Weights and dimensions are approximate. \*Specifications are subject to change without notice. \*These products may be subject to export control regulations.

DISTRIBUTED BY:

# Panasonic

Panasonic is the brandname of Matsushita Electric.  
 Printed in Japan  
 WV-JKCL270T(2N-706)