

Lens : optional



The Low-Light, Ultra-Sensitive Camera for 24-Hour Surveillance.

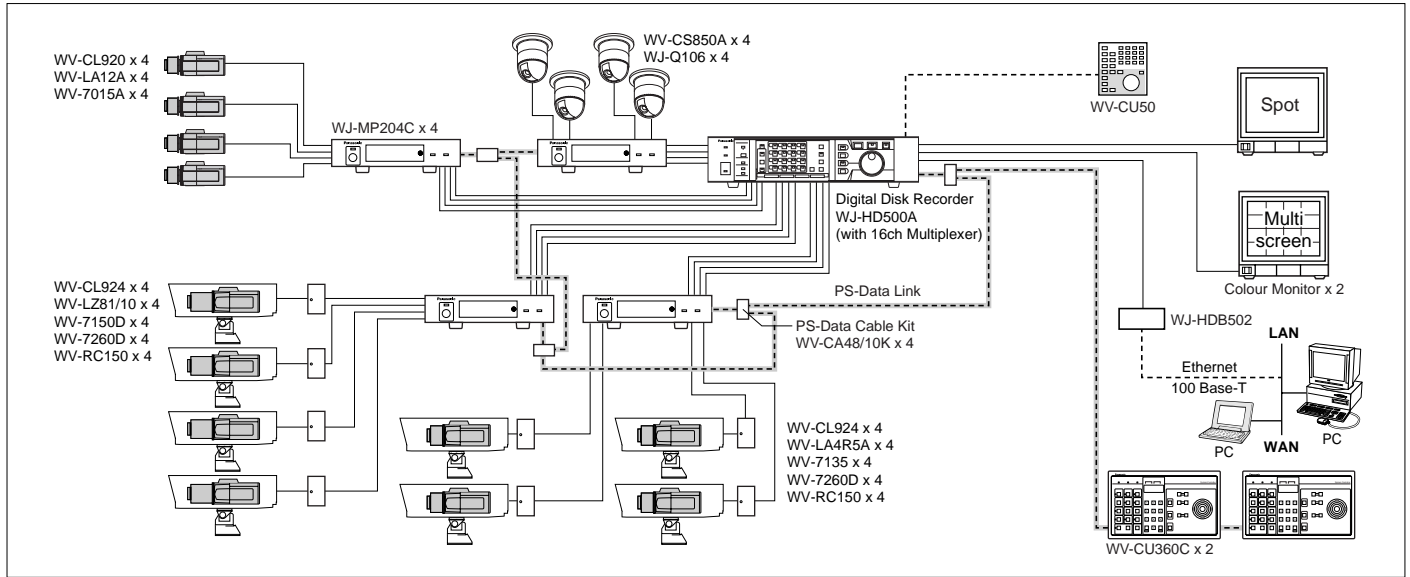
Panasonic introduces the WV-CL920 series surveillance cameras equipped with both colour and B/W modes automatically, or manually. The WV-CL920 series cameras switch automatically from colour, for daytime use, to ultra-sensitive B/W for nighttime surveillance. Minimum light intensity for the colour mode is 0.3 lx at F1.4, and 0.02 lx at F1.4 for the B/W mode. With a sensitivity enhancement of up to 32x at automatic mode, full colour surveillance in light as low as 0.01 lx can be obtained. When combined with an infrared light source, these cameras, in their B/W mode, can be used in extremely low light conditions.

Applications may include highway, tunnel, parking lot and town centre surveillance – the list is only limited by your imagination.

Key Features

- 1/2-type interline transfer CCD with infrared sensitivity.
- Switches from selected colour mode to B/W mode, automatically or manually.
- Super sensitivity of 0.3 lx at F1.4 in colour mode, and 0.02 lx at F1.4 in B/W mode.
- 480-line horizontal resolution in colour mode; 570 line horizontal resolution in B/W mode.
- ELC function enables the use of fixed iris lens for indoor applications.
- Built-in digital signal processing LSI's.
- Built-in digital motion detector.
- Built-in 16 alphanumeric character display.
- Electronic shutter from 1/50 to 1/10,000 seconds.
- Electronic sensitivity enhancement (Auto/Manual/Off)
- Remote control function with single coaxial cable (WV-CL920/CL924) or RS-485 terminal (WV-CLR920/CLR924).
- Gen-lock capability for the large system application.
- Accept both AC 24V & DC 12V for WV-CL924 / WV-CLR924 camera models.
- WV-CL920 series are,
 - WV-CL920 (AC 220V - 240V)
 - WV-CL924 (AC 24V or DC 12V)
 - WV-CLR920 (AC 220V - 240V, with RS-485 terminal)
 - WV-CLR924 (AC 24V or DC 12V, with RS-485 terminal)

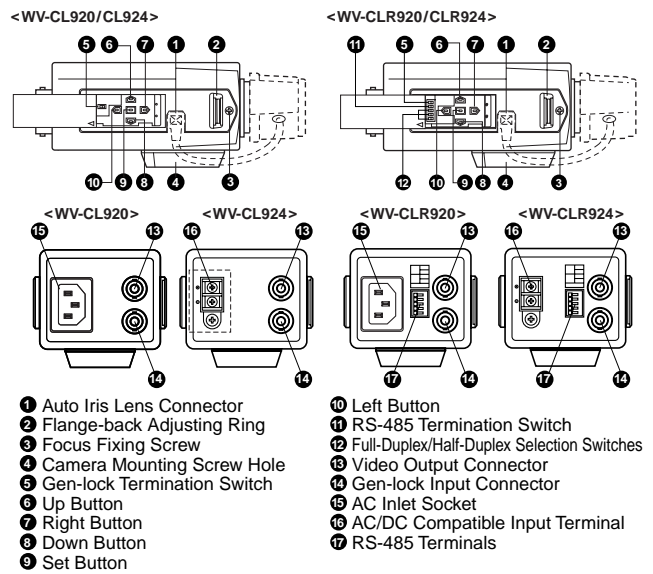
SYSTEM EXAMPLE



SPECIFICATIONS

Model No.	WV-CL920	WV-CL924	WV-CLR920	WV-CLR924
Pick-up Device	762 (H) x 582 (V) Pixels, Interline Transfer CCD			
Scanning Area	6.45 (H) x 4.84 (V) mm (Equivalent to 1/2" Tube)			
Scanning	625 lines / 50 fields / 25 frames Horizontal 15.625 kHz / Vertical 50 Hz			
Scanning System	2:1 Interlace			
Synchronization	Internal, Line-locked, External (VBS/VS), or Multiplexed VD2 Selectable			
Video Output	1.0V[p-p] PAL or CCIR Composite / 75 Ω / BNC Connector			
Horizontal Resolution	480-line at Colour mode, or 570-line at B/W mode			
Minimum Illumination	0.3 lx at F1.4 (at Colour mode), or 0.02 lx at F1.4 (at B/W)			
S/N Ratio	50dB (at AGC off, Weight On)			
Video Output	VBS 1.0[p-p] / 75 Ω / BNC Connector			
Character Display	16 Alphanumeric characters			
Motion Detector	On/Off selectable			
Electronic Light Control	Equivalent to continuous variable shutter speed between 1/50s to 1/10,000s			
Electronic Sensitivity Up	Off, Auto (x2, x4, x6, x10, x16, x32), Fixed (x2, x4, x6, x10, x16, x32, x64)			
White Balance	ATW1, ATW2, AWC			
Aperture	Variable			
Gain Control	AGC On/Off selectable			
Lens Mount	CS-mount			
ALC Lens	DC / Video Servo Selectable			
Communication	Single wire		RS-485	
Communication Distance	1.2km by BELDEN 9259 or equivalent		1.2km by Twisted pairs cable	
Ambient Operating Temperature	-10°C - +50°C			
Ambient Operating Humidity	Less than 90%			
Power Source	220V-240V AC, 50Hz	AC24V / DC12V	220V-240V AC, 50Hz	AC24V / DC12V
Power Consumption	5.1W	4.7W / 440mA	5.5W	5.1W / 520mA
Dimensions (W x H x D)	74 x 65 x 120mm			
Weight (approx.)	450g (without AC cable)	440g	450g (without AC cable)	440g

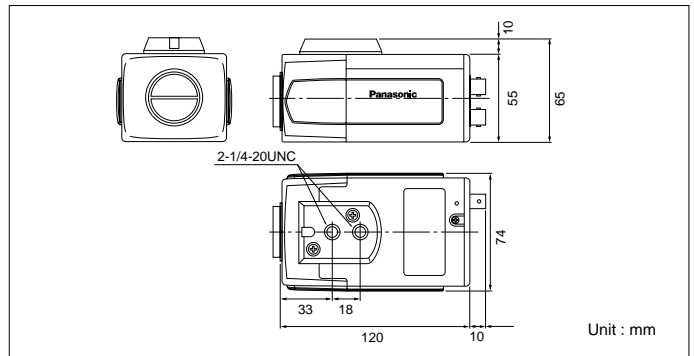
MAJOR OPERATING CONTROLS



Wide variety of optional lenses for suit the any applications



APPEARANCE



• Weights and dimensions are approximate. • Specifications are subject to change without notice. • These products may be subject to export control regulations.

DISTRIBUTED BY:

Panasonic

Panasonic is the brandname of Matsushita Electric.
Printed in Japan
WV-JKCL920T(2N-676C)