



(Lens: option)

NEW HIGH IMAGE-QUALITY COLOUR CAMERA, WV-CP110, WITH UPGRADED PERFORMANCE THROUGH DIGITAL PROCESSING

For the first time ever in a camera of this class, the WV-CP110 from Panasonic offers a 440,000-pixel CCD. This realizes a horizontal resolution of 480 lines or higher so that monitoring of crystal clear, high resolution images becomes a reality. In combination with an optional aspherical F0.75 lens, the WV-CP110 boasts very high sensitivity with a minimum illumination intensity of 0.6 lx. Even at locations where lighting is insufficient for conventional systems, the WV-CP110 gives you clear colour images which make it possible to distinguish the subject in high definition. Since the WV-CP110 is internally equipped with a backlight correction function, the image of the subject will be clear, even at locations with bright incident light. Furthermore, with the built-in microphone unit, ambient audio can be played through the special monitor. Using a single coaxial cable that connects the WV-CP110

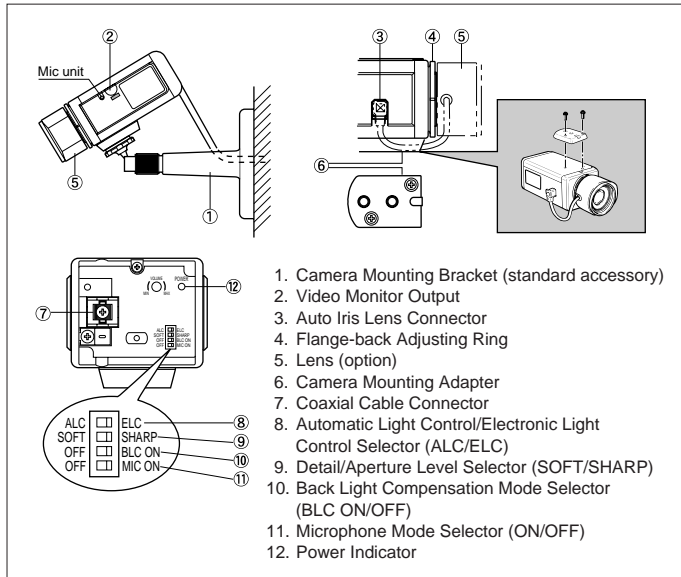
colour camera to its exclusive power supply unit or to its exclusive monitor, installation is simplified.

The WV-CP110 from Panasonic is a colour camera that offers high cost performance at competitive cost.

Key Features

- 1/3-type CCD with 752 (H) x 582 (V) pixels
- High sensitivity of 2 lx at F1.4, 0.6 lx at F0.75 using Panasonic aspherical high-speed lenses
- 480-line horizontal resolution
- Electronic Light Control (ELC) function enables the use of fixed or manual iris lenses for indoor application
- Built-in Back Light Compensation (BLC) function
- Automatic Gain Control (AGC) circuit
- ATW function
- Built-in microphone unit
- CS-Mount
- Mounting bracket provided

MAJOR OPERATING CONTROLS



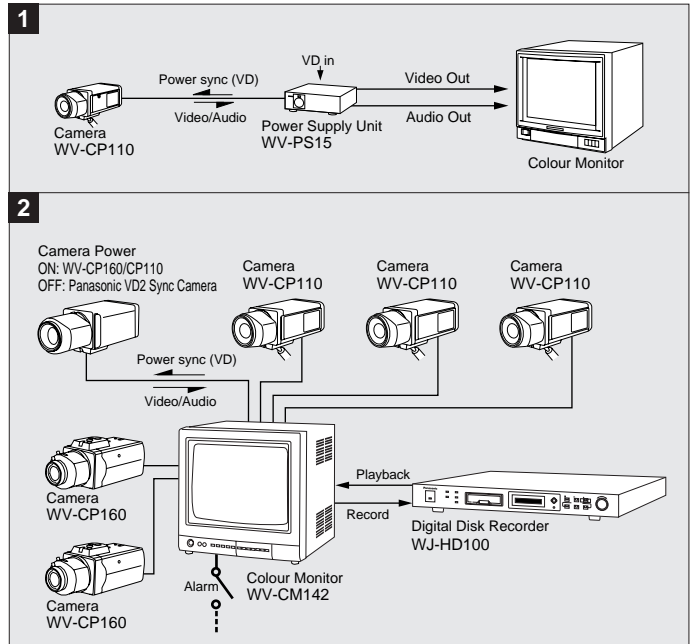
OPTIONAL COMPONENTS & ACCESSORIES



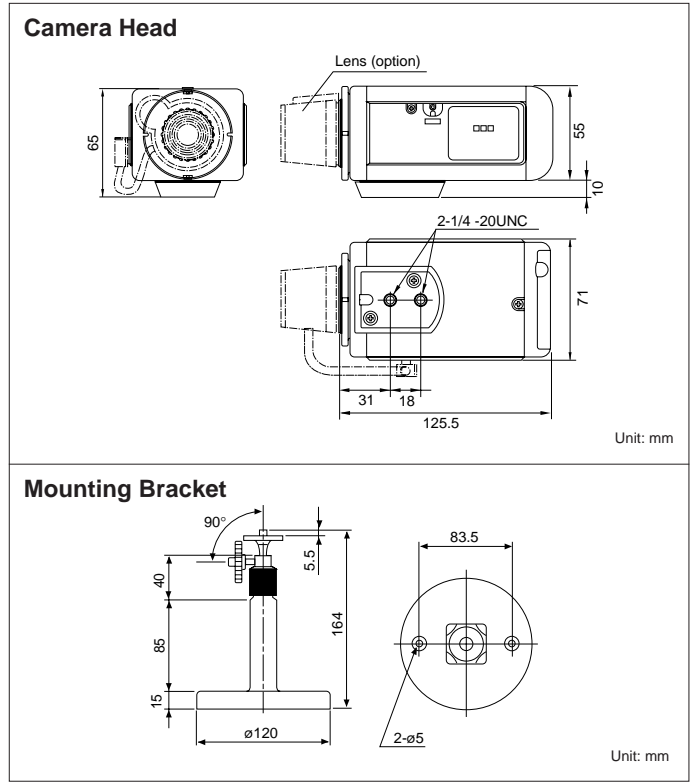
SPECIFICATIONS PAL

| | |
|--------------------------------------|--|
| Pick-up Device | 752 (H) x 582 (V) pixels, Interline Transfer CCD |
| Scanning Area | 4.89 (H) x 3.67 (V) mm (Equivalent to scanning area of 1/3" pick-up tube) |
| Synchronization | Multiplex vertical drive (VD2) |
| Scanning System | 2:1 interlace |
| Scanning | 625 lines / 50 fields / 25 frames Horizontal: 15.625 kHz Vertical: 50 Hz |
| Video Output | 1.0 V[p-p] composite 75Ω / BNC connector |
| Horizontal Resolution | 480 lines |
| Signal-to-Noise Ratio | 50 dB (AGC OFF) |
| Electronic Light Control | Equivalent to continuous variable shutter speed between 1/50s and 1/15,000s |
| Back Light Compensation | Selectable ON/OFF |
| Minimum Illumination | 2 lx at F1.4, 0.6 lx at F0.75 |
| White Balance | ATW only [with fine adjustment VR] |
| Detail | Selectable SHARP / SOFT |
| Lens Mount | CS-mount |
| ALC Lens | DC only (with video level VR) |
| Ambient Operating Temperature | -10°C - +50°C |
| Ambient Operating Humidity | Less than 90% |
| Power Source | Supplied from optional camera drive unit or specific monitor |
| Power Consumption | 310 mA |
| Dimensions | 71 (W) x 65 (H) x 125.5 (D) mm |
| Weight (approx.) | 470 g |

SYSTEM EXAMPLES



APPEARANCE



- Weights and dimensions are approximate.
- Specifications are subject to change without notice.
- These products may be subject to export control regulations.

DISTRIBUTED BY:

Panasonic

Panasonic is the brandname of Matsushita Electric.

Printed in Japan

WV-JKCP110T (2N-635C)