

Lens : optional



SDII
Super Dynamic

Introducing Panasonic's WV-CP160. The next generation colour camera, using our advanced **Super Dynamic II** function. The compact WV-CP160 offers a 1/3-type colour CCD and newly developed digital signal processing, to deliver a dynamic range 80 times wider than standard CCD cameras. This colour camera produces superior images, even in harsh lighting conditions where there are large contrasts between light and dark. Using an F1.4 lens for low light conditions, this highly sensitive camera operates with only 0.8lx of available light, and offers digital enhancement to boost sensitivity up to 32 times. With the WV-CP160, even areas that had been too dark for electronic monitoring, are visible in full-colour surveillance.

Setting up your surveillance system is a snap: one coaxial cable connects the WV-CP160 to the dedicated Panasonic monitor and Panasonic camera drive unit.

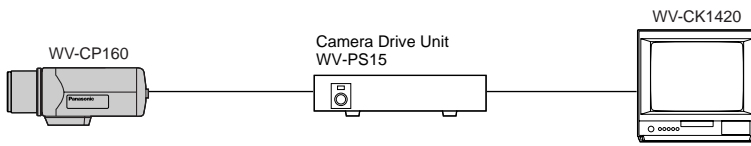
The Panasonic WV-CP160's advanced features make it so simple to provide colour surveillance, in a majority of harsh lighting conditions.

Key Features

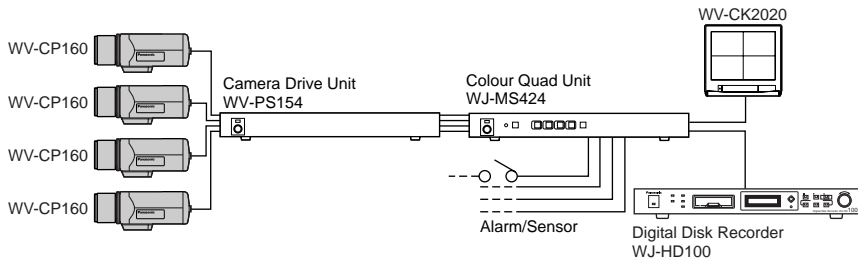
- Built-in **Super Dynamic II** technology which can widen the dynamic range when compared to conventional cameras.
- 1/3-type double speed CCD colour image sensor < 752 (H) X 582 (V) >
- 480 horizontal resolution
- 50dB of S/N ratio (AGC OFF, Weight ON)
- Minimum illumination of 0.8 lx at F1.4
- Single cable connection when used with WV-CM142 colour monitor or Panasonic camera drive unit WV-PS15/WV-PS154
- On screen set-up menu
- Built-in character generator
- Electronic Shutter from 1/50 to 1/10,000
- Linear electronic sensitivity up (up to 32 times)
- Built-in microphone
- Aperture correction on set-up menu or aperture SW
- VD2 Sync Capability with Panasonic system products

SYSTEM EXAMPLES

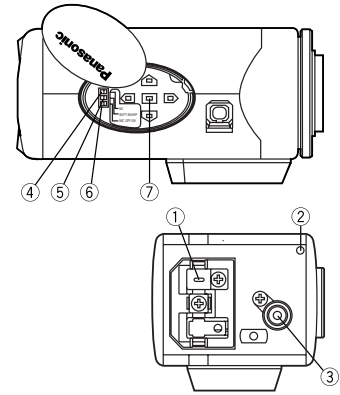
BASIC SYSTEM



COLOUR QUAD SYSTEM



MAJOR OPERATING CONTROLS



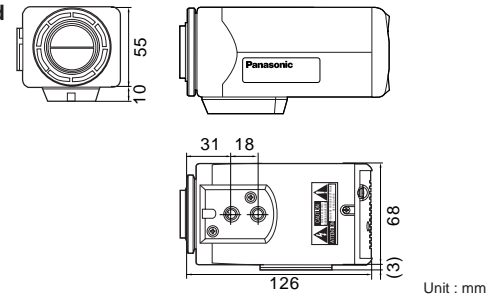
- ① Video Output Connector
- ② Power Indicator
- ③ Monitor Output Jack
- ④ NC
- ⑤ SOFT-SHARP Select Switch
- ⑥ MIC ON-OFF Switch
- ⑦ Camera Set Up Switch

SPECIFICATIONS [PAL]

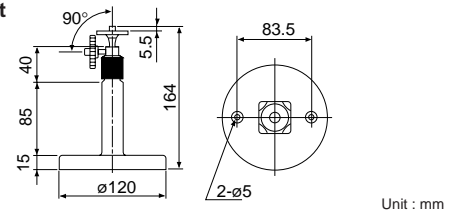
Pick-up Device	752 (H) x 582 (V) pixels, Interline Transfer CCD
Scanning Area	4.8 (H) x 3.6 (V) mm (Equivalent to 1/3" Tube)
Scanning	625Lines/50Fields/25Frames / Horizontal 15.625 kHz, Vertical 50.00Hz
Scanning System	2:1 Interlace
Synchronization	VD2 lock
Video Output	1.0V[p-p] PAL composite/75Ω (through specified circuit)
Horizontal Resolution	480 TV lines
S/N Ratio	50dB (min.) <luminance S/N> (at AGC off, weight ON)
Mini. Illumination	0.8lx at F1.4
AGC	Selectable ON/OFF (SET UP MENU)
White Balance	Selectable ATW/AWC (SET UP MENU)
Dynamic Range	48dB (typical)
Aperture	Variable (SET UP MENU and APERTURE SW)
Electronic Light Control	Equivalent to continuous variable shutter speed between 1/50 sec. and 1/10,000 sec.
Character Generator	CAMERA ID (ON SCREEN SET UP MENU)
Set Up Menu	Camera ID ON/OFF, ALC/ELC, SHUTTER ON/OFF, AGC ON/OFF, SENSE UP ON/OFF, White balance ATW/AWC, Audio level VR, Chroma level VR, Aperture level VR, Pedestal level VR, Upside down switch
Lens Mount	CS-mount
ALC Lens	DC lens only
Ambient Operating Temperature	-10~+50°C
Ambient Operating Humidity	Less than 90% RH
Power Source	350mA, Constant current
Dimensions	68 (W) x 65 (H) x 126 (D) mm
Weight	about 375g

APPEARANCE

Camera Head



Mounting Bracket



OPTIONAL ACCESSORIES

Auto Iris Lenses
WV-LA2R8C3B
WV-LA4R5C3B
WV-LA9C3B



High-Speed Lenses
WV-LA210C3
WV-LA408C3
WV-LA908C3



Zoom Lenses
WV-LZ61/10
WV-LZ61/15



Vari-focal Lenses
WV-LZF61/2
WV-LZ62/2
WV-LZ62/8



Camera Drive Units
WV-PS15



WV-PS154 (for 4 cameras)



Digital Disk Recorder
WJ-HD100



37cm Colour Monitor
WV-CM142



• Weights and dimensions are approximate. • Specifications are subject to change without notice. • These products may be subject to export control regulations.

DISTRIBUTED BY:

Panasonic

Panasonic is the brandname of Matsushita Electric.
 Printed in Japan
 WV-JKCP160T (2N-661C)