

# Panasonic

Closed Circuit Video Equipment

## Super Dynamic II Colour Surveillance Cameras with Low-Light B/W Mode WV-CP470 Series

Lens : optional



**SDII** Super Dynamic II 

### A NEW HIGH END COLOUR CAMERA WITH 24-HOUR SURVEILLANCE AND MULTIFUNCTION FEATURES.

Panasonic introduces the WV-CP470 Series cameras. Always on the job, these cameras automatically switch from colour, in daytime, to high sensitivity black and white at night. With full 24-hour surveillance capabilities, features include, motion detection and error free title displays.

With 480 lines of horizontal resolution, in colour mode, and 570 lines in black and white, the WV-CP470 Series defines high definition. It can operate in colour mode at 0.8 lx, using a F1.4 lens. In black and white mode sensitivity is an amazing 0.1 lx. Plus, its linear sensitivity can be electronically enhanced up to 32 times. With **Super Dynamic II** capabilities, the WV-CP470 Series make it possible to obtain clear images of subjects in extreme lighting conditions. A built-in alarm output terminal makes connection to an exterior sensor a snap.

Indoors, outdoors and under the toughest conditions, the WV-CP470 Series provides constant and reliable surveillance.

#### Key Features

- 1/3-type double speed CCD colour image sensor.
- Switches from selected colour mode to B/W mode, automatically or manually.

- Built-in **Super Dynamic II** function has 80 times wider dynamic range when compared to a conventional camera.
- Super sensitivity of 0.8lx at F1.4 in colour mode, and 0.1lx at F1.4 in B/W mode.
- 480-line resolution in colour mode, and 570-line in B/W mode.
- Signal to noise ratio of 50dB.
- ELC function enables the use of fixed iris lens for indoor applications.
- Built-in Alarm output connector for external sensors.
- Built-in digital motion detector.
- Built-in 16 alphanumeric character display.
- Electronic shutter from 1/50 to 1/10,000 sec.
- Electronic sensitivity enhancement (Auto; up to 10x, Manual; up to 32x, and Off)
- Digital signal processing LSI's for high quality pictures: 2H vertical enhancement, chroma averaging circuit, minimum of aliasing, knee circuit, and highlight aperture correction.
- Gen-lock connector for the large system applications.
- VD2 sync capability with Panasonic system products.
- Accepts both AC 24V & DC 12V for WV-CP474 camera model.

#### WIDE VARIETY OF OPTIONAL LENSES

Auto Iris Lenses  
WV-LA2R8C3B  
WV-LA4R5C3B  
WV-LA9C3B



High-Speed Lenses  
WV-LA210C3  
WV-LA408C3  
WV-LA908C3



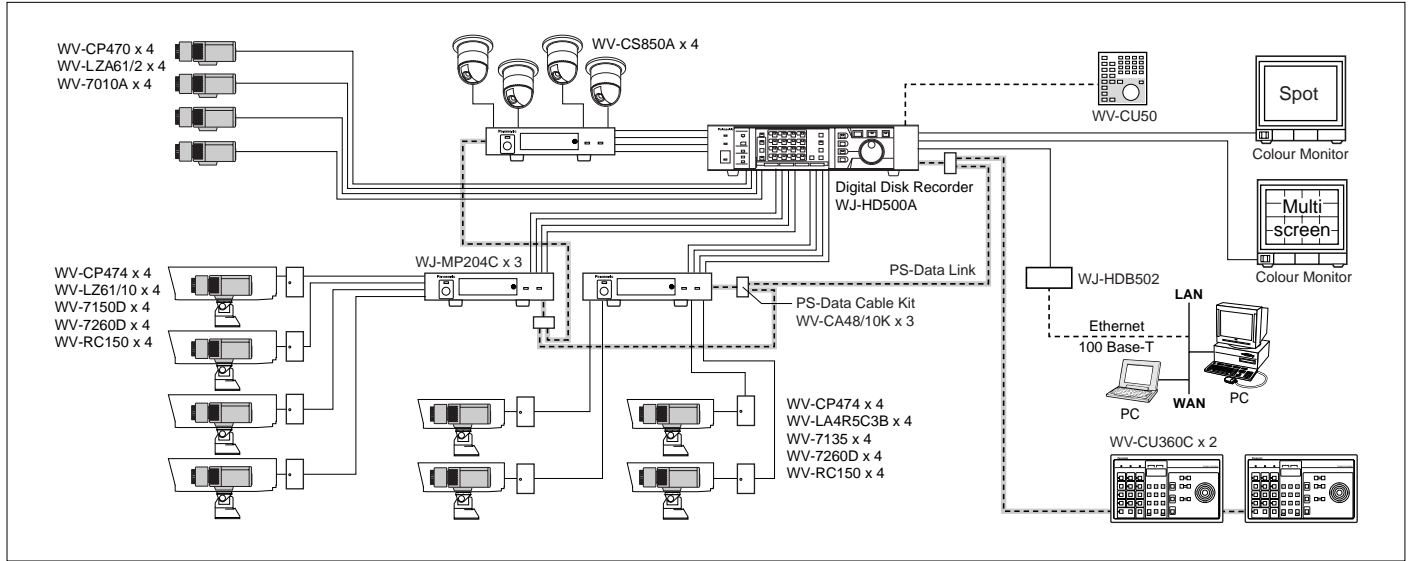
Zoom Lenses  
WV-LZ61/10 (x10)  
WV-LZ61/15 (x15)



Vari-focal Lenses  
WV-LZA61/2  
WV-LZF61/2  
WV-LZ62/2  
WV-LZ62/8



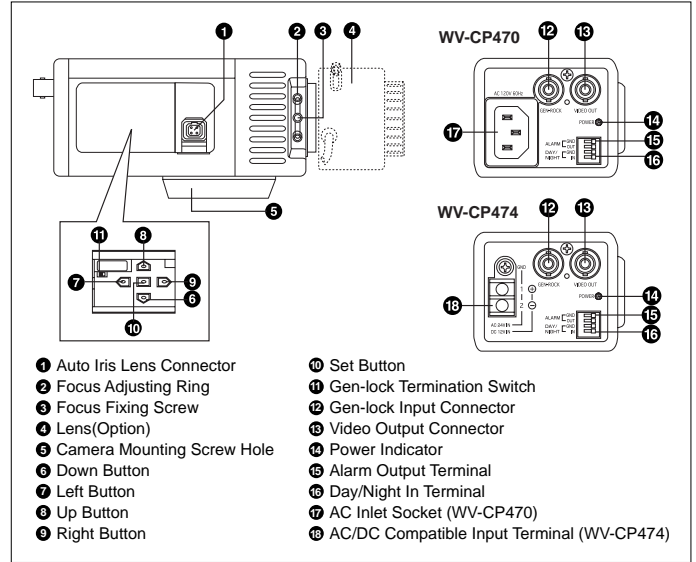
## SYSTEM EXAMPLE



## SPECIFICATIONS PAL CCIR

Model No.	WV-CP470	WV-CP474
<b>Pick-up Device</b>	753(H) x 582(V) pixels, Interline Transfer CCD	
<b>Scanning Area</b>	4.8(H) x 3.6(V) mm (Equivalent to scanning area of 1/3" pick-up tube)	
<b>Scanning</b>	625 lines/50 fields/25 frames Horizontal: 15.625 kHz Vertical: 50 Hz	
<b>Synchronization</b>	Internal, Line-locked, External (VS/VBS) or Multiplexed Vertical Drive (VD2) selectable	
<b>Video Output</b>	1.0V[p-p] PAL composite 75Ω/BNC connector	
<b>Horizontal Resolution</b>	480 lines (C/L), 570 lines (B/W)	
<b>Signal-to-Noise Ratio</b>	50dB (Equivalent to AGC Off, weight On)	
<b>Dynamic Range</b>	48dB	
<b>Minimum Illumination</b>	0.8 lx at F1.4 (C/L), 0.1 lx at F1.4 (B/W)	
<b>Gain Control</b>	ON (DNR-H), ON (DNR-L) or OFF (SET UP MENU) selectable	
<b>White Balance</b>	ATW1, ATW2 or AWC (SET UP MENU) selectable	
<b>Aperture</b>	Set Variable (SET UP MENU)	
<b>Electronic Light Control</b>	Equivalent to continuous variable shutter speeds between 1/50s and 1/10,000s	
<b>Super Dynamic II</b>	ON or OFF (SET UP MENU) selectable	
<b>Electronic Shutter Speed</b>	1/50(OFF), 1/120, 1/250, 1/500, 1/1,000, 1/2,000, 1/4,000, 1/10,000s selectable	
<b>Lens Mount</b>	CS-mount	
<b>ALC Lens</b>	DC or Video selectable	
<b>Ambient Operating Temperature</b>	-10°C ~ +50°C	
<b>Ambient Operating Humidity</b>	Less than 90%	
<b>Power Source and Power Consumption</b>	220V ~ 240V AC 50Hz, 5.1W	24V AC 50Hz, 4.5W 12V DC, 480mA
<b>Dimensions</b>	70(W) x 65(H) x 128(D) mm	
<b>Weight (approx.)</b>	460 g (without power cord)	

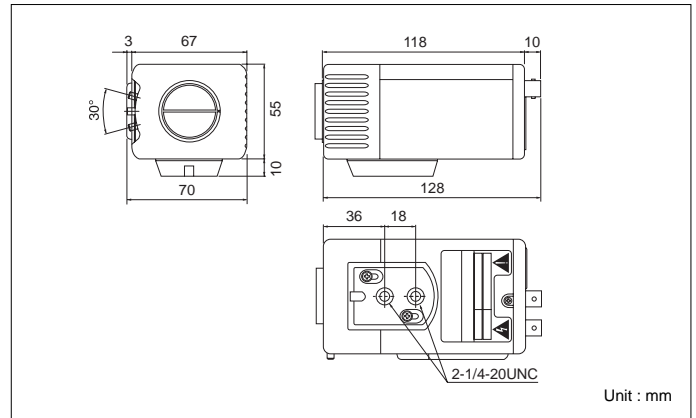
## MAJOR OPERATING CONTROLS



## OPTIONAL COMPONENTS

DIGITAL DISK RECORDERS	DIGITAL MULTIPLEXERS
<b>WJ-HD500A</b> (with 16ch Multiplexer) <b>WJ-HD100</b>	<b>WJ-FS616C</b> (16ch) <b>WJ-FS416</b> (16ch) <b>WJ-FS409</b> (9ch)
MATRIX SYSTEM 500	COLOUR MONITORS
	<b>WV-CM2080</b> 55cm CRT <b>WV-CM1780</b> 45cm CRT <b>WV-CM1480</b> 40cm CRT <b>WV-CM1420</b> 37cm CRT <b>WV-CM1020</b> 25cm CRT

## APPEARANCE



- Weights and dimensions are approximate.
- Specifications are subject to change without notice.
- These products may be subject to export control regulations.

DISTRIBUTED BY:

# Panasonic

Panasonic is the brandname of Matsushita Electric.

Printed in Japan

WV-JKCP470T(2N-690A)