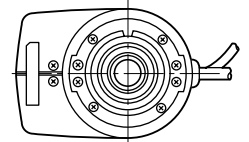
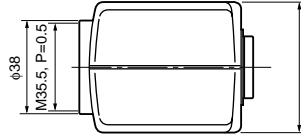
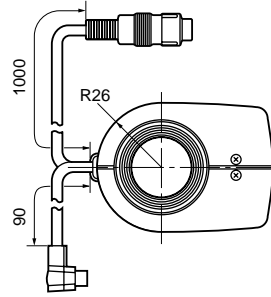


# 1/3-type Zoom Lenses

(For 1/3-type CCD Cameras)

Unit = mm

## WV-LZ61/10 10x Zoom Lens



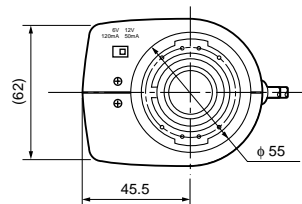
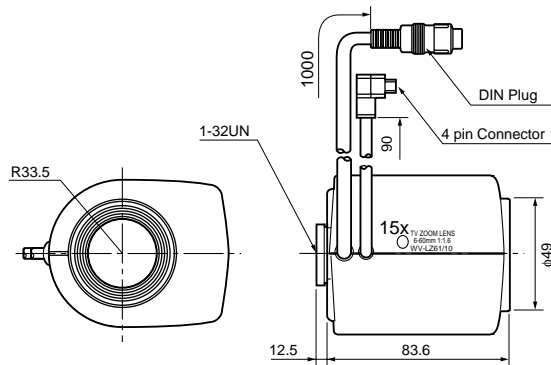
<b>Focal Length</b>	6 - 60 mm (10x)	
<b>Aperture Ratio</b>	F1.6 (wide) to F64, close F2.6 (tele) to F64, close	
<b>Image Size</b>	4.8(H) x 3.6(V) mm (equivalent to 1/3")	
<b>Angular Field of View 1/3"</b>	<b>H</b>	4.6° (tele) 43.7° (wide)
	<b>V</b>	3.5° (tele) 33.0° (wide)
<b>Minimum Object Distance</b>	1.2 m	
<b>Optical Filter Size</b>	M35.5 mm, P = 0.5 mm	

<b>Weight</b>	210 g	
<b>Dimensions (W x H x D)</b>	71 x 52 x 70.5 mm	
<b>Zoom and Focus Control</b>	<b>Control Voltage</b>	±6 to ±12V DC (Accept. Wide Voltage)
	<b>Polarity</b>	Zoom: (-) Tele (+) Wide Focus: (-) Near (+) Far
	<b>Operating Speed</b>	Zoom: Approx. 5 sec. at ±6 - ±12V DC Focus: Approx. 6.5 sec. at ±6 - ±10V DC

<b>Focus Control</b>	<b>Far</b>	195mA at +6 - +12V DC
	<b>Near</b>	195mA at -16 - -12V DC
<b>Zoom Control</b>	<b>Wide</b>	170mA at +6 - +12V DC
	<b>Tele</b>	170mA at -16 - -12V DC
<b>Iris Type</b>	Automatic	
<b>Mount</b>	Special C-Mount (CS-Mount, 1-32UN)	
<b>Pin Configuration</b>	1.	Common
	2.	Not Used
	3.	Focus
	4.	Zoom

Note: Zoom or focus speed can not be changed even if the control voltage will be varied. (±6V - ±12V)  
The high voltage should be used for the stable operation. (Max. 12V)

## WV-LZ61/15 15x Zoom Lens



<b>Focal Length</b>	6 - 90 mm (15x)	
<b>Aperture Ratio</b>	F1.6 (wide) to F176, close F2.6 (tele) to F176, close	
<b>Image Size</b>	4.8(H) x 3.6(V) mm (equivalent to 1/3")	
<b>Angular Field of View 1/3"</b>	<b>H</b>	3.2° (tele) 44.4° (wide)
	<b>V</b>	2.4° (tele) 33.6° (wide)
<b>Minimum Object Distance</b>	2.0 m	
<b>Optical Filter Size</b>	M46 mm, P = 0.75 mm	

<b>Weight (lbs)</b>	260 g	
<b>Dimensions (W x H x D)</b>	79 x 67 x 87 mm	
<b>Zoom and Focus Control</b>	<b>Control Voltage</b>	±6 to ±12V DC (Accept. Wide Voltage)
	<b>Polarity</b>	Zoom: (-) Tele (+) Wide Focus: (-) Near (+) Far
	<b>Operating Speed</b>	Zoom: Approx. 7 sec. at ±6 - ±12V DC Focus: Approx. 7.5 sec. at ±6 - ±10V DC

<b>Focus Control</b>	<b>Far</b>	120mA at +6 - +12V DC
	<b>Near</b>	120mA at -16 - -12V DC
<b>Zoom Control</b>	<b>Wide</b>	120mA at +6 - +12V DC
	<b>Tele</b>	120mA at -16 - -12V DC
<b>Iris Type</b>	Automatic	
<b>Mount</b>	Special C-Mount (CS-Mount, 1-32UN)	
<b>Pin Configuration</b>	1.	Common
	2.	Not Used
	3.	Focus
	4.	Zoom

Note: Zoom or focus speed can not be changed even if the control voltage will be varied. (±6V - ±12V)  
The high voltage should be used for the stable operation. (Max. 12V)

Unit = mm